

# Mk3D POWER PACKS

## Manifold Blocks for Valve Mounting

### Kit KB3RNN01A for standard CETOP03 (ISO4401) Valve

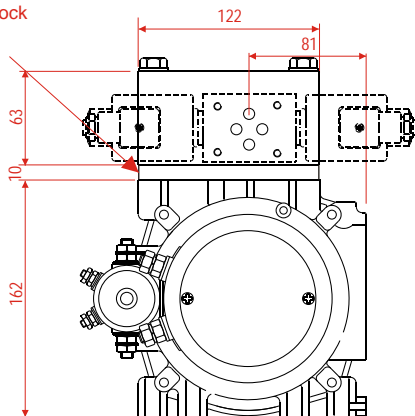
#### Kit Contents:

Adaptor Block (1)	101166
M10 x 80 Screw (2)	20-251-2255-27
M10 Spring Washer (2)	20-282-1012-27
M10 Flat Washer (2)	20-281-1066-27
O Ring 0221-16 (2)	30-781-2018-114

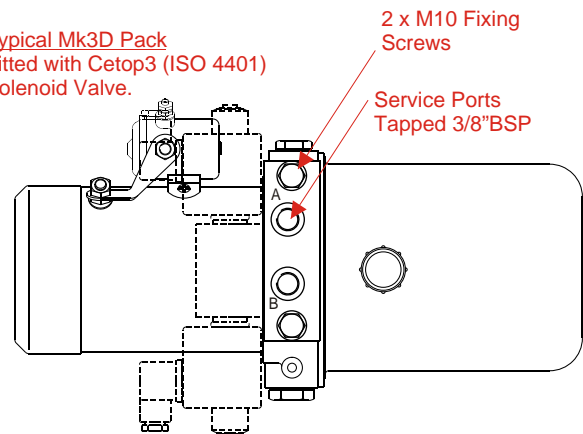
#### Kit Contents Spacer Kit KB3S1001A:

Spacer Block (1)	101544-1-01
M10 x 90 Screw (2)	20-251-2257-27
O Ring 0221-16 (2)	30-781-2018-114

Optional Spacer Block  
Kit KB3S1001A to  
clear some motors



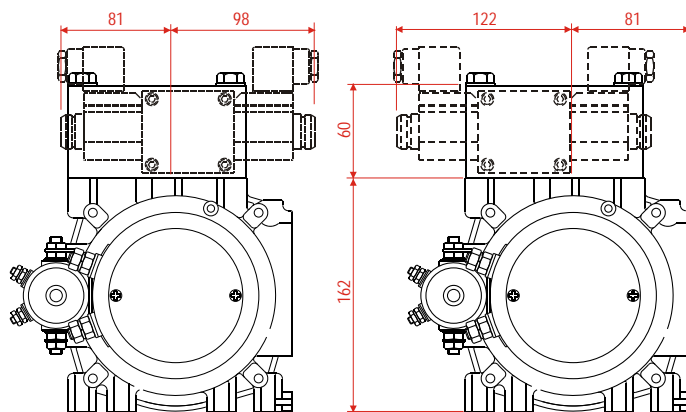
Typical Mk3D Pack  
Fitted with Cetop3 (ISO 4401)  
Solenoid Valve.



### Kit KB33NN01A (R) & KB33NN02A (S) for Serie35 Valves

#### Kit Contents:

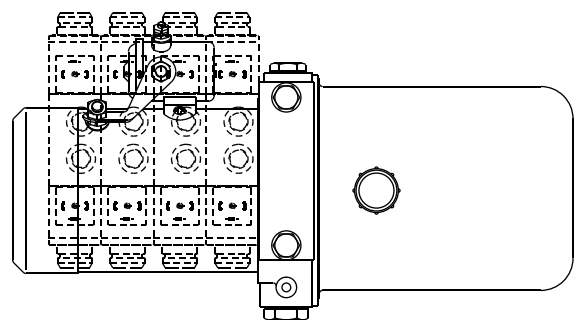
	Type R	Type S
Adaptor Block (1)	102485-R	102485-S
M10 x 80 Screw (2)	20-251-2255-27	20-251-2255-27
M10 Spring Washer (2)	20-282-1012-27	20-282-1012-27
M10 Flat Washer (2)	20-281-1066-27	20-281-1066-27
O Ring 0221-16 (2)	30-781-2018-114	30-781-2018-114



Type S Manifold

Type R Manifold

Typical Mk3D Pack  
Fitted with Series 35 Adaptor  
Type S and 4 Series 35 Solenoid Valves.



*The products are subject to development  
and the manufacturer reserves the  
right to change the specifications  
without notice*