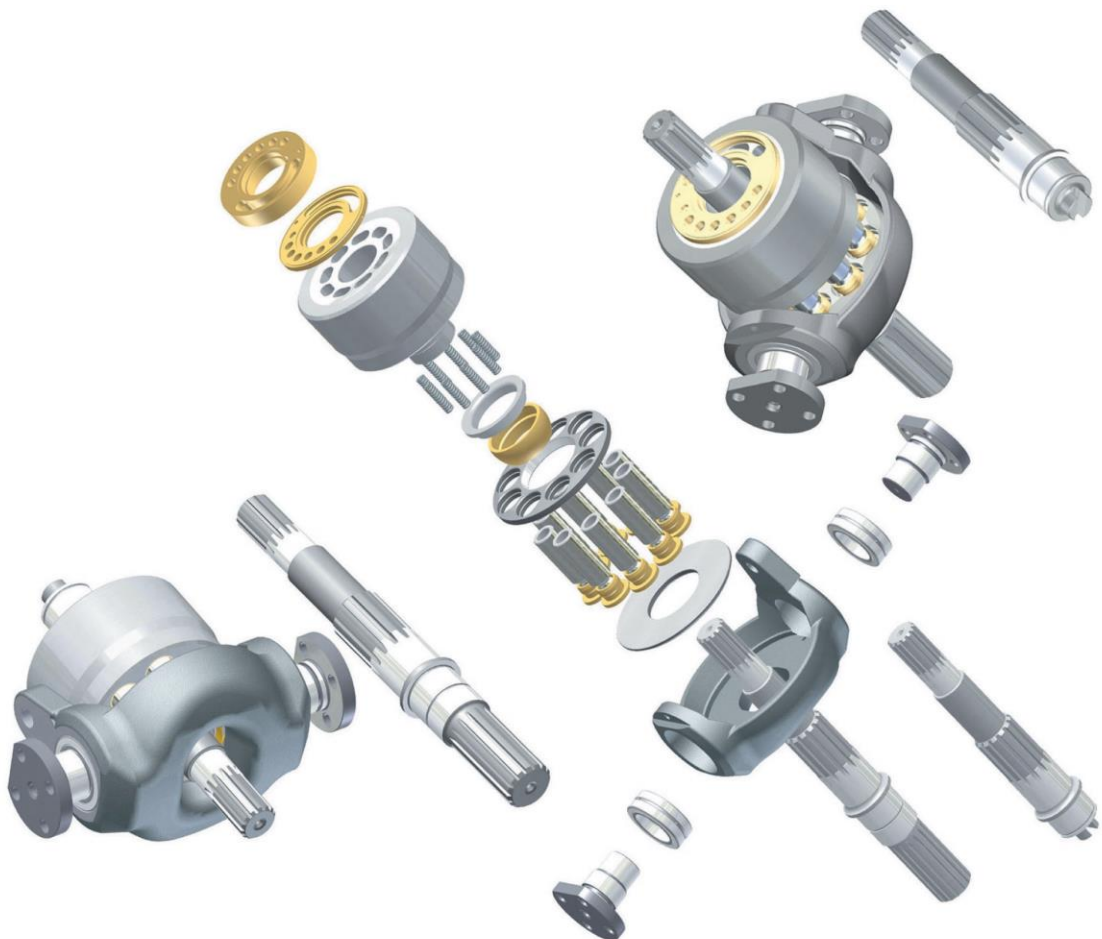
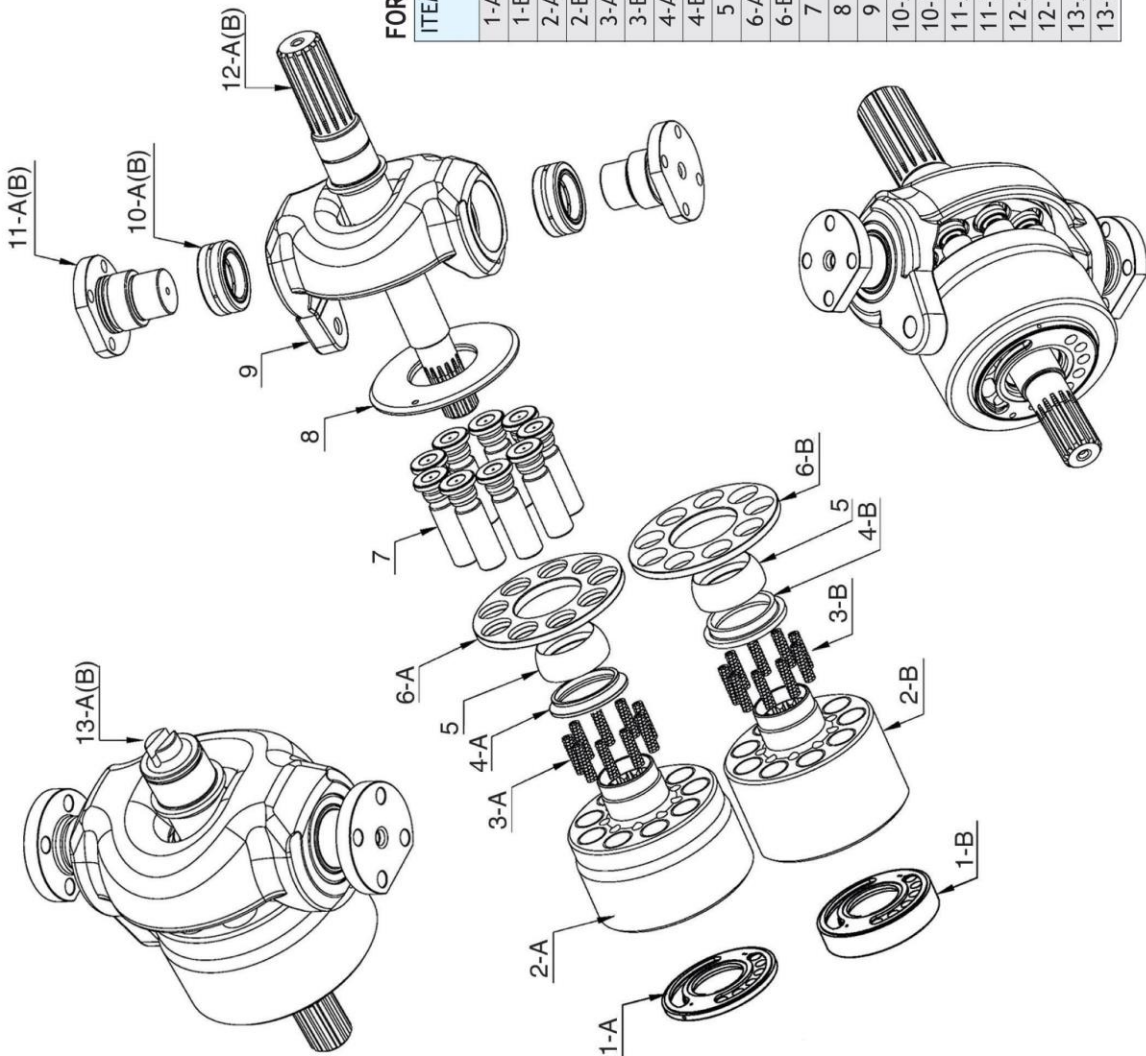


AP12(E200B,E320B)



AP12(E200B,E320B)



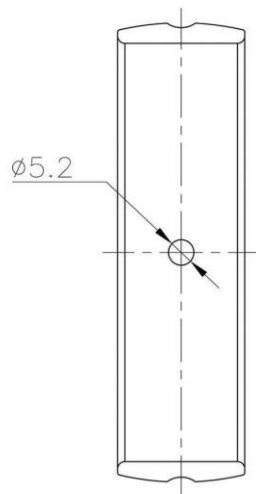
FOR AP12(E200B/E320B)

ITEM	DESCRIPTION	QTY	REMARK
1-A	VALVE PLATE(E320B)(L/R)	1	
1-B	VALVE PLATE(E200B)(L/R)	1	
2-A	CYLINDER BLOCK(E320B)	1	
2-B	CYLINDER BLOCK(E200B)	1	
3-A	COIL SPRING(E320B)	9	
3-B	COIL SPRING(E200B)	9	
4-A	SPACER(E320B)	1	
4-B	SPACER(E200B)	1	
5	BALL GUIDE	1	
6-A	SET PLATE(E320B)	1	
6-B	SET PLATE(E200B)	1	
7	PISTON SHOE	9	
8	SHOE PLATE(E200B/E320B)	1	
9	SWASH PLATE	1	
10-A	BEARING(E320B)	2	
10-B	BEARING(E200B)	2	
11-A	AXLE SHAFT(E320B)	2	(88X50X40)
11-B	AXLE SHAFT(E200B)	2	(84X50X35)
12-A	DRIVE SHAFT-R(E320B)	1	
12-B	DRIVE SHAFT-R(E200B)	1	
13-A	DRIVE SHAFT-L(E320B)	1	
13-B	DRIVE SHAFT-L(E200B)	1	

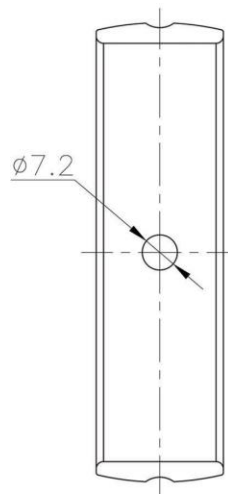
SBS80/120/140(FOR CATERPILLAR 320C/325C)



IT IS DIFFERENT ON THE SHAPE
BEARING PLATE OF SWASH PLATE

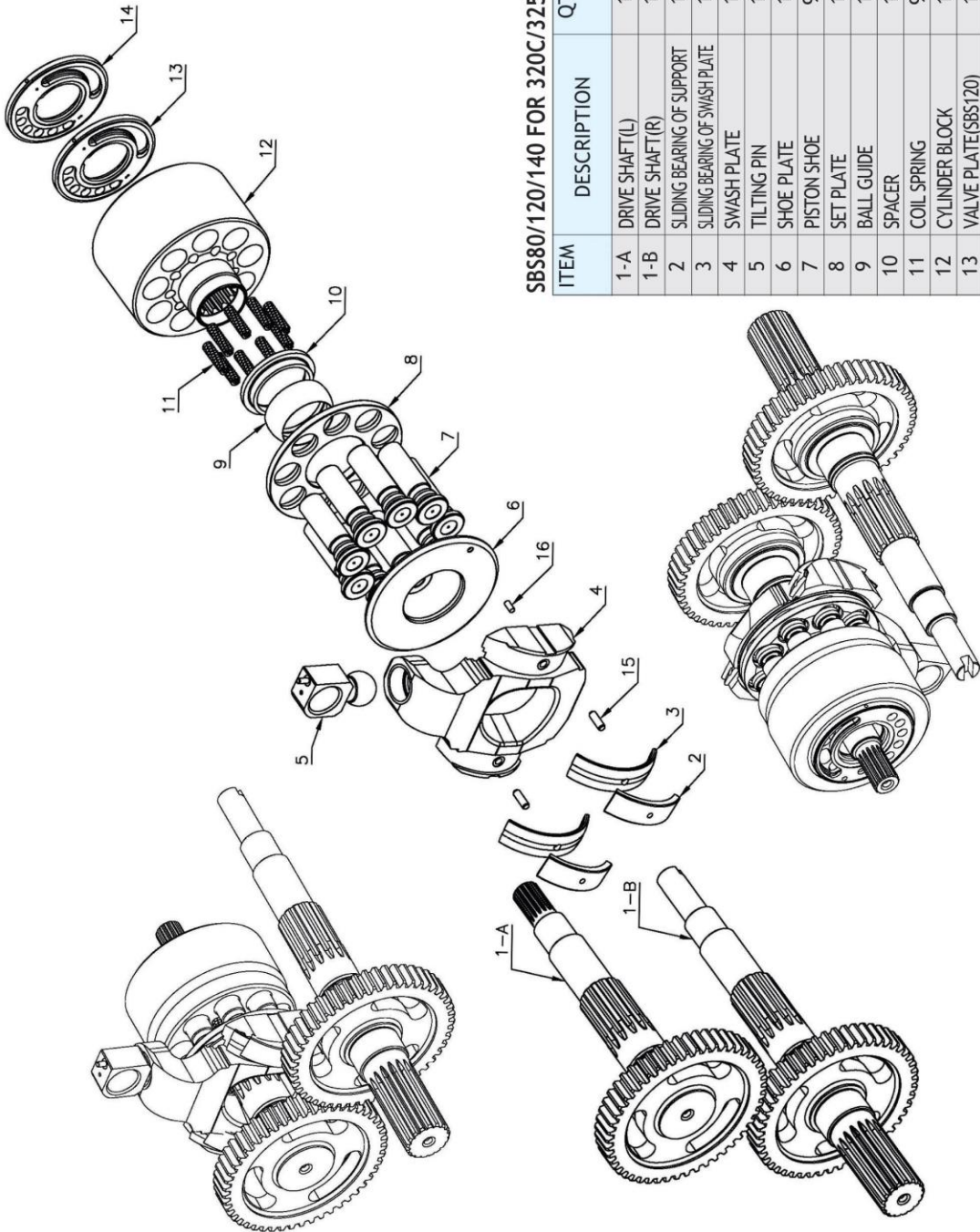


SBS120



SBS140

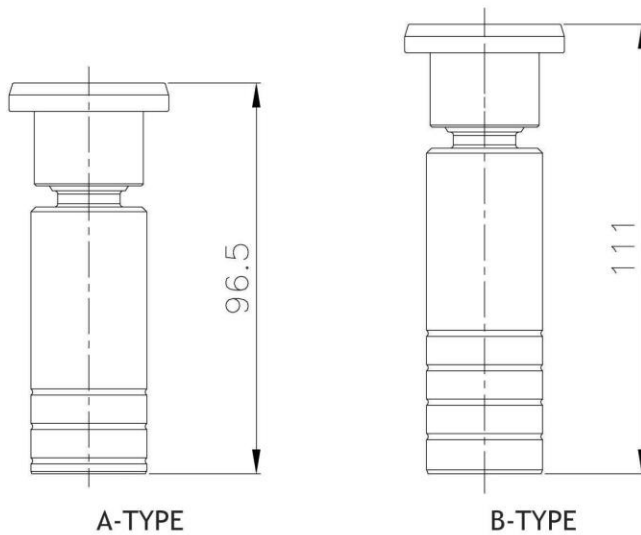
SBS80/120/140 FOR 320C/325C



SBS80/120/140 FOR 320C/325C

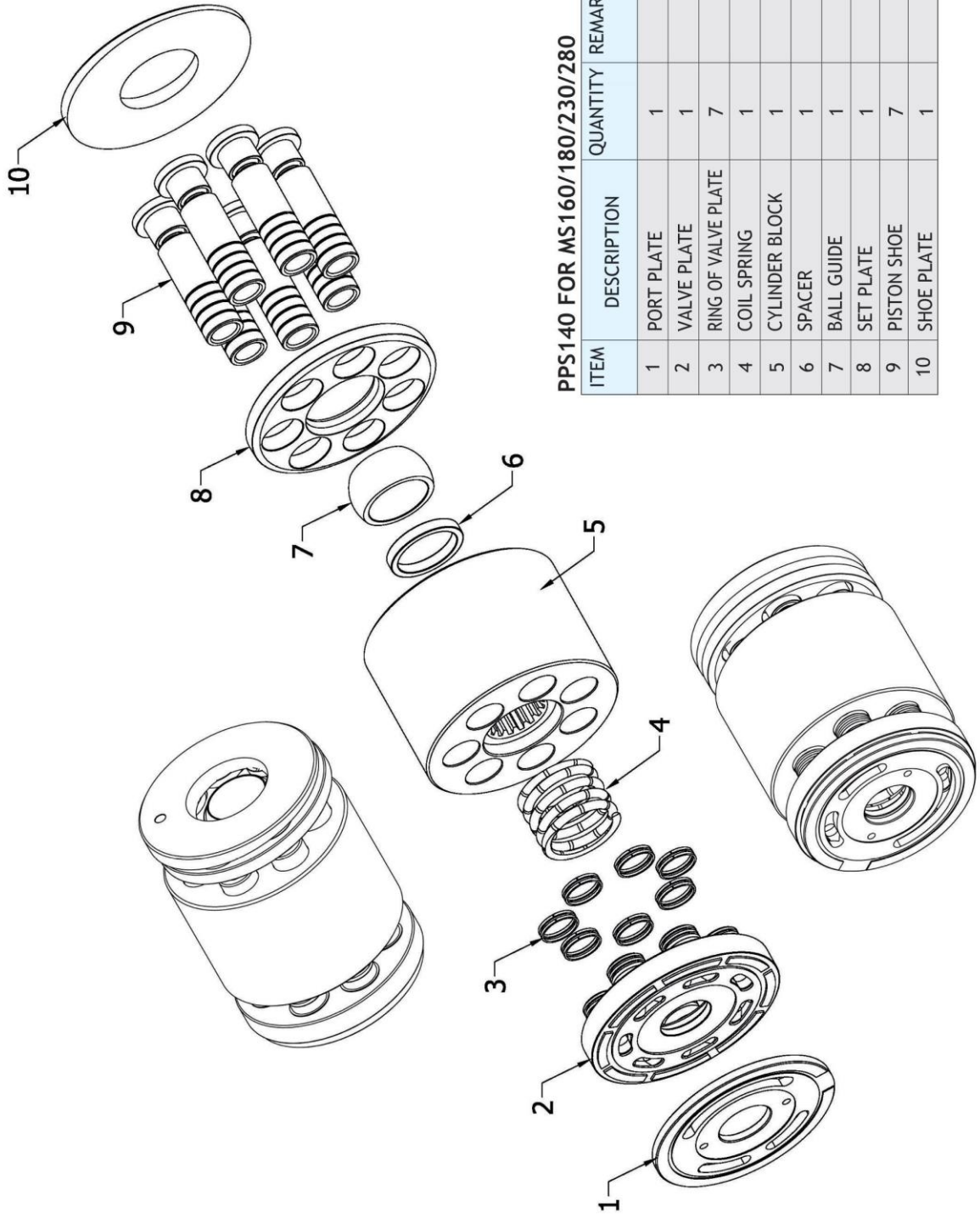
ITEM	DESCRIPTION	QTY	REMARK
1-A	DRIVE SHAFT(L)	1	
1-B	DRIVE SHAFT(R)	1	
2	SLIDING BEARING OF SUPPORT	1	
3	SLIDING BEARING OF SWASH PLATE	1	
4	SWASH PLATE	1	
5	TILTING PIN	1	
6	SHOE PLATE	1	
7	PISTON SHOE	9	
8	SET PLATE	1	
9	BALL GUIDE	1	
10	SPACER	1	
11	COIL SPRING	9	
12	CYLINDER BLOCK	1	
13	VALVE PLATE(SBS120)	1	
14	VALVE PLATE(SBS140)	1	
15	PIN OF SWASH PLATE	2	
16	PIN OF SHOE PLATE	1	

PPS140 SERIES



IT IS DIFFERENT ON PISTON LENGTH

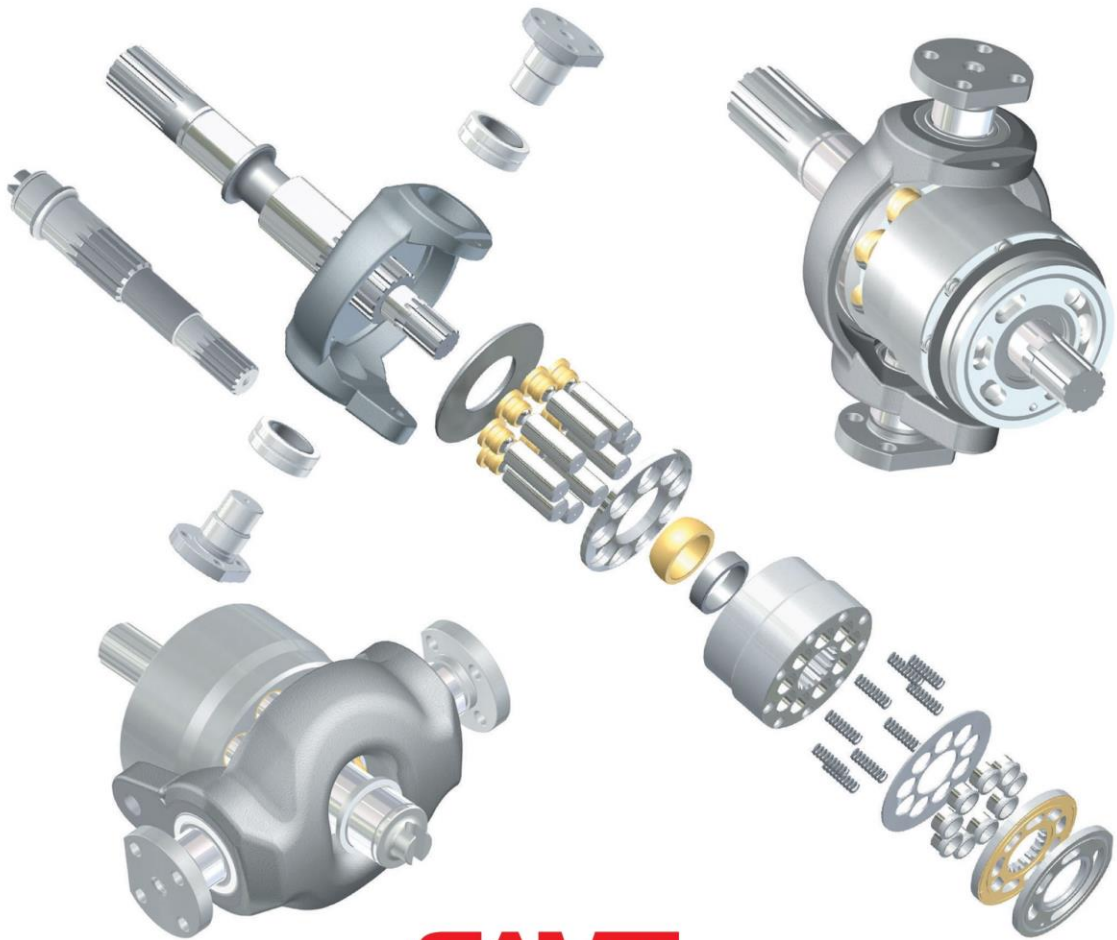
PPS140



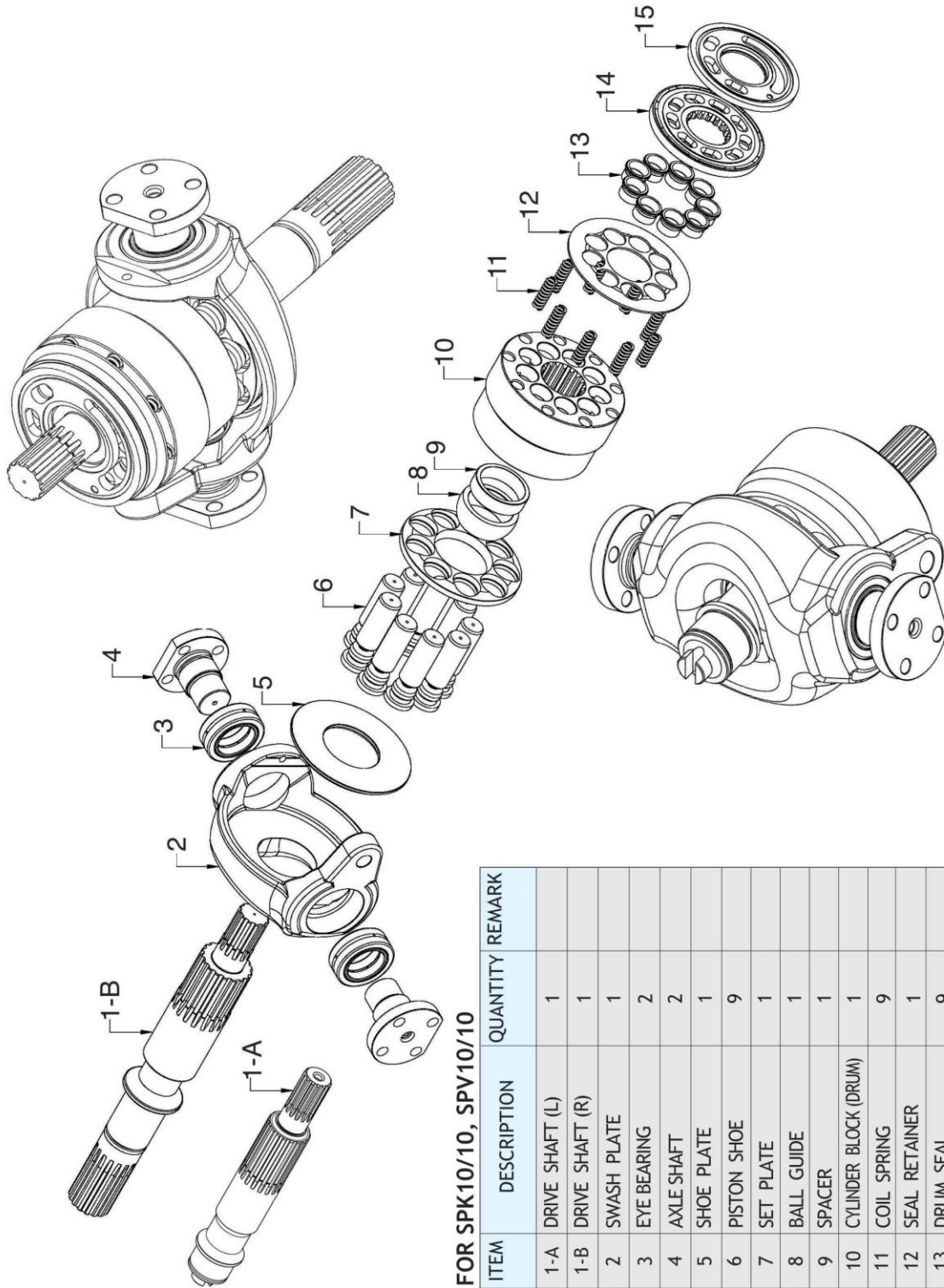
PPS140 FOR MS160/180/230/280

ITEM	DESCRIPTION	QUANTITY	REMARK
1	PORT PLATE	1	
2	VALVE PLATE	1	
3	RING OF VALVE PLATE	7	
4	COIL SPRING	1	
5	CYLINDER BLOCK	1	
6	SPACER	1	
7	BALL GUIDE	1	
8	SET PLATE	1	
9	PISTON SHOE	7	
10	SHOE PLATE	1	

SPK 10/10, SPV10/10



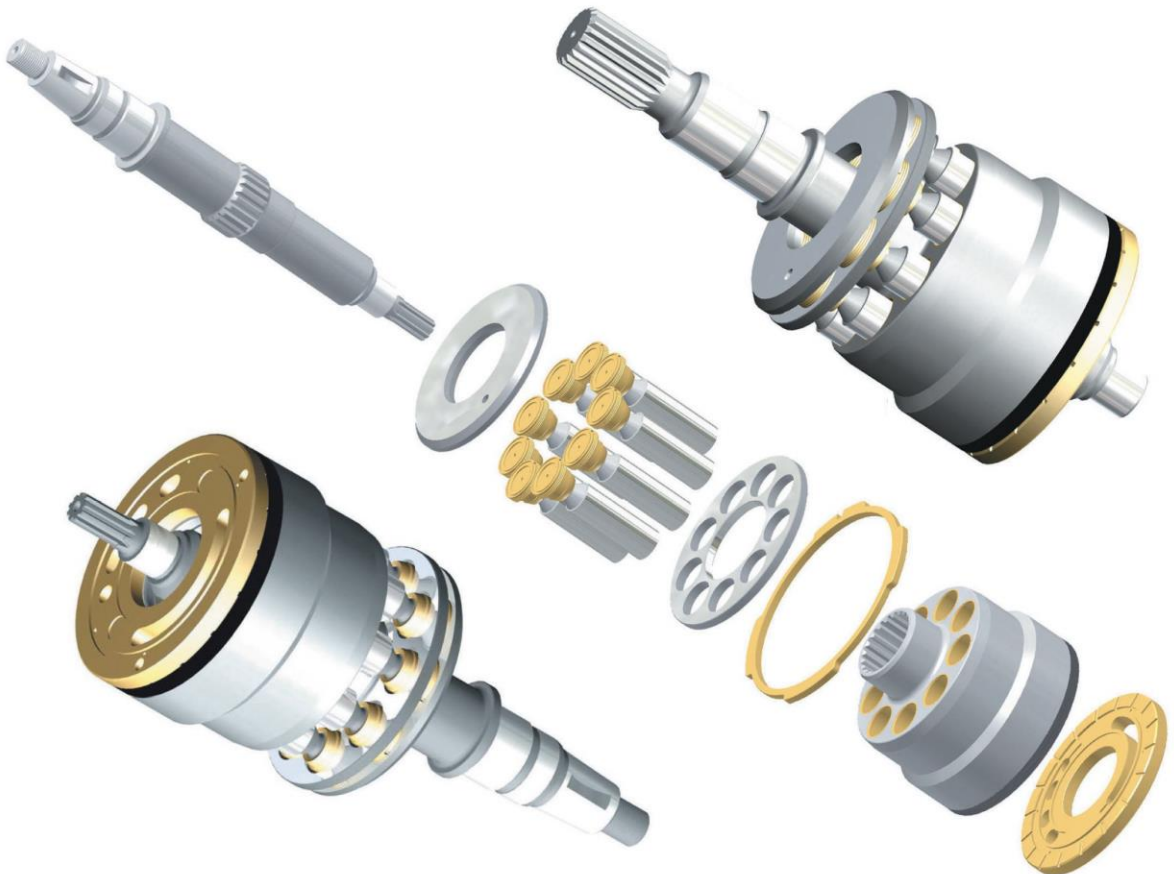
SPK10/10, SPV10/10



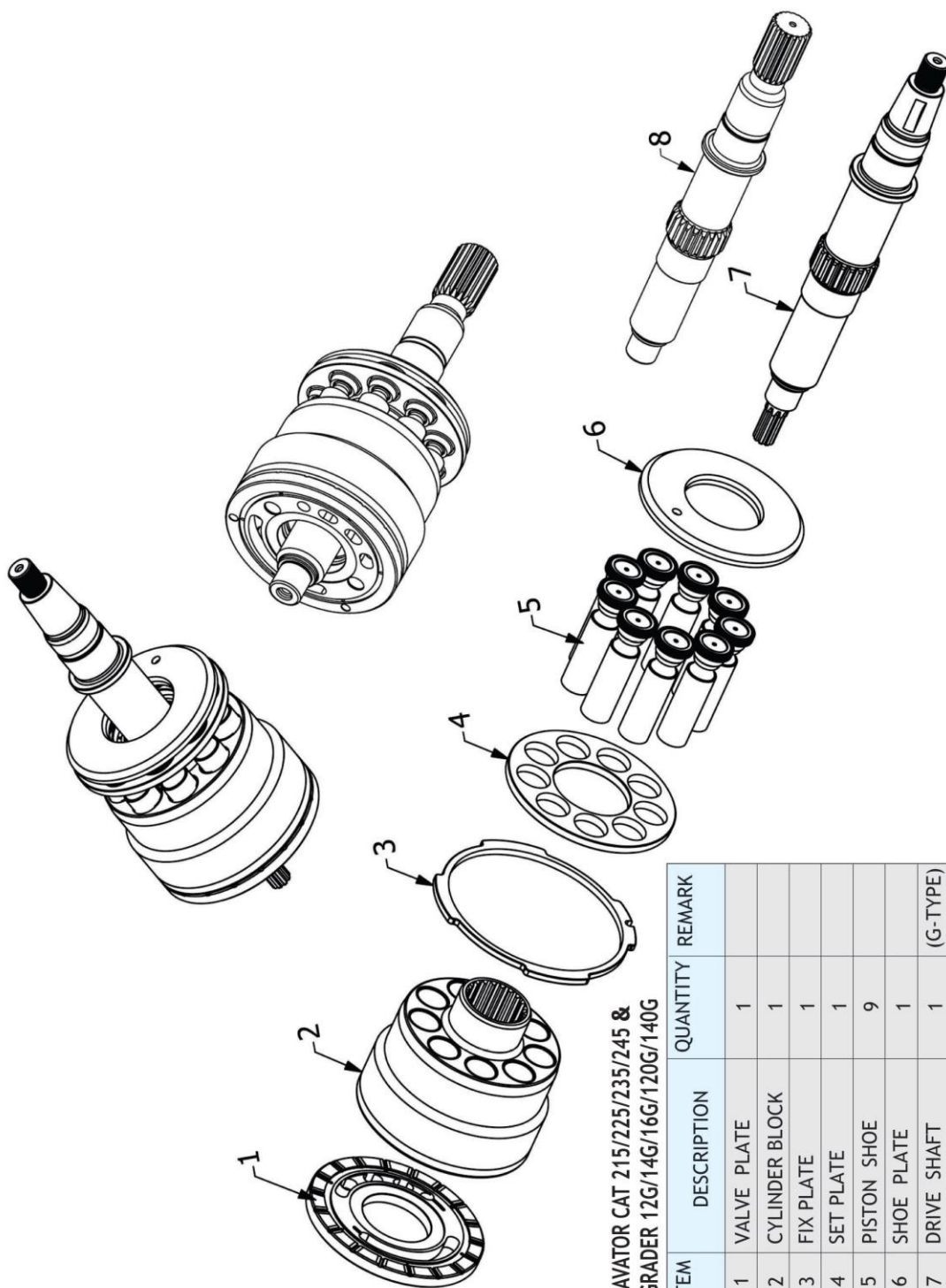
FOR SPK10/10, SPV10/10

ITEM	DESCRIPTION	QUANTITY	REMARK
1-A	DRIVE SHAFT (L)	1	
1-B	DRIVE SHAFT (R)	1	
2	SWASH PLATE	1	
3	EYE BEARING	2	
4	AXLE SHAFT	2	
5	SHOE PLATE	1	
6	PISTON SHOE	9	
7	SET PLATE	1	
8	BALL GUIDE	1	
9	SPACER	1	
10	CYLINDER BLOCK (DRUM)	1	
11	COIL SPRING	9	
12	SEAL RETAINER	1	
13	DRUM SEAL	9	
14	VALVE PLATE	1	
15	PORT PLATE (L/R)	1	

CAT SERIES



CAT



FOR EXCAVATOR CAT 215/225/235/245 &
MOTOR GRADER 12G/14G/16G/120G/140G

ITEM	DESCRIPTION	QUANTITY	REMARK
1	VALVE PLATE	1	
2	CYLINDER BLOCK	1	
3	FIX PLATE	1	
4	SET PLATE	1	
5	PISTON SHOE	9	
6	SHOE PLATE	1	
7	DRIVE SHAFT	1	(G-TYPE)
8	DRIVE SHAFT	1	(E-TYPE)