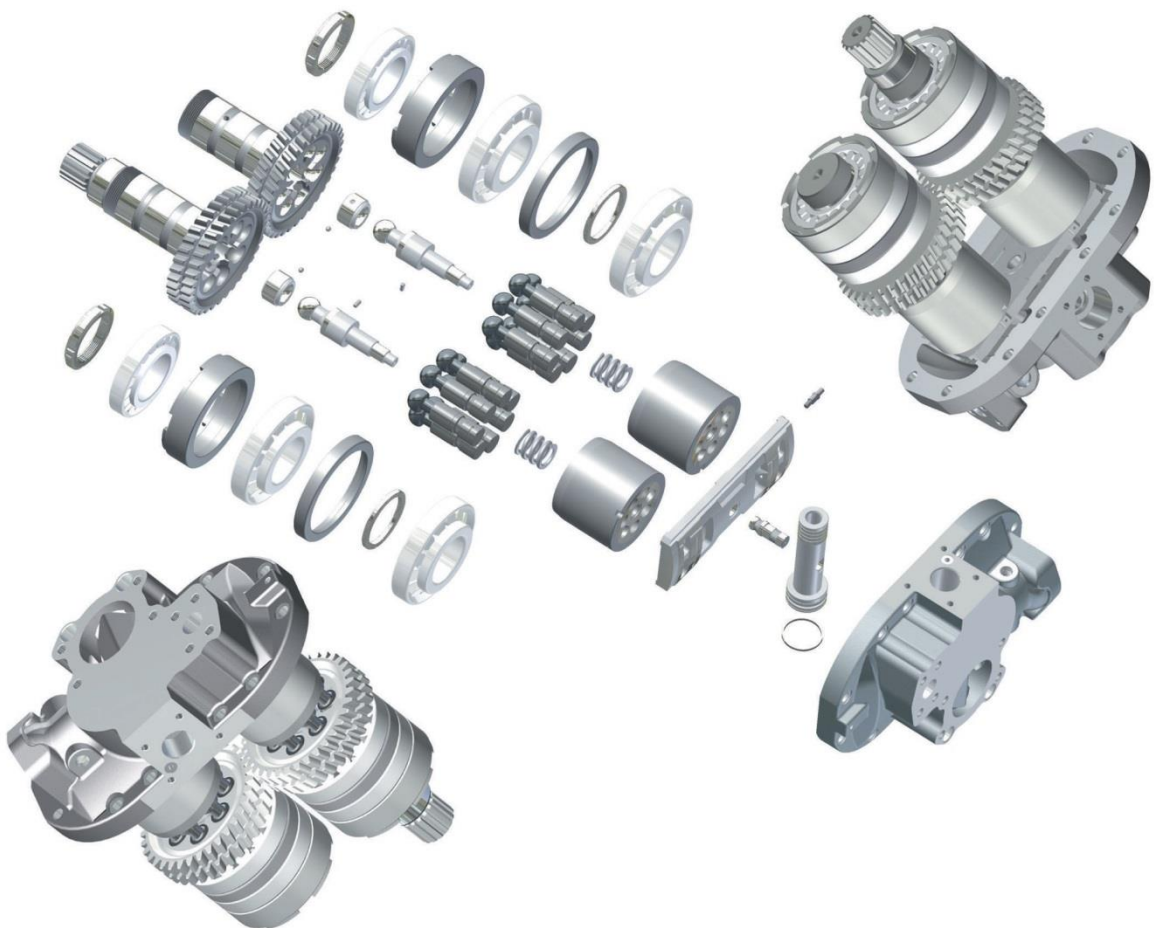
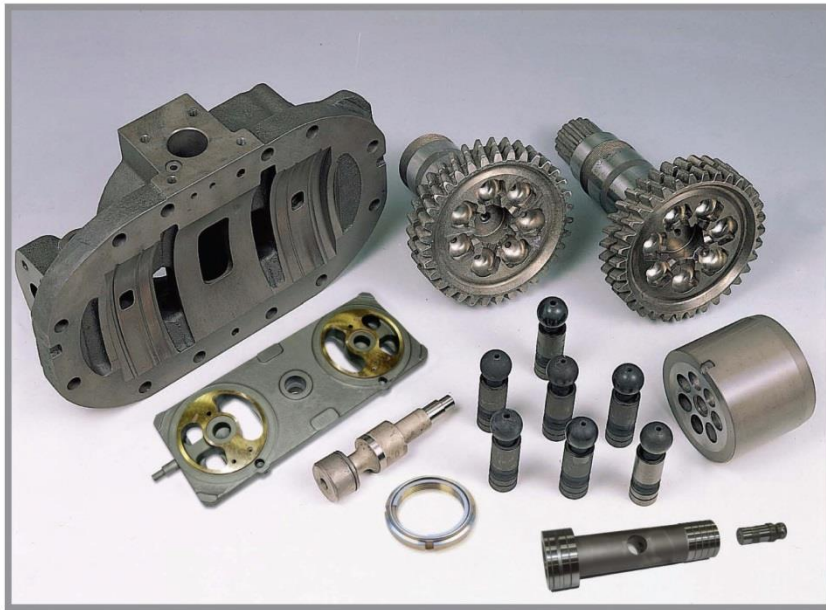
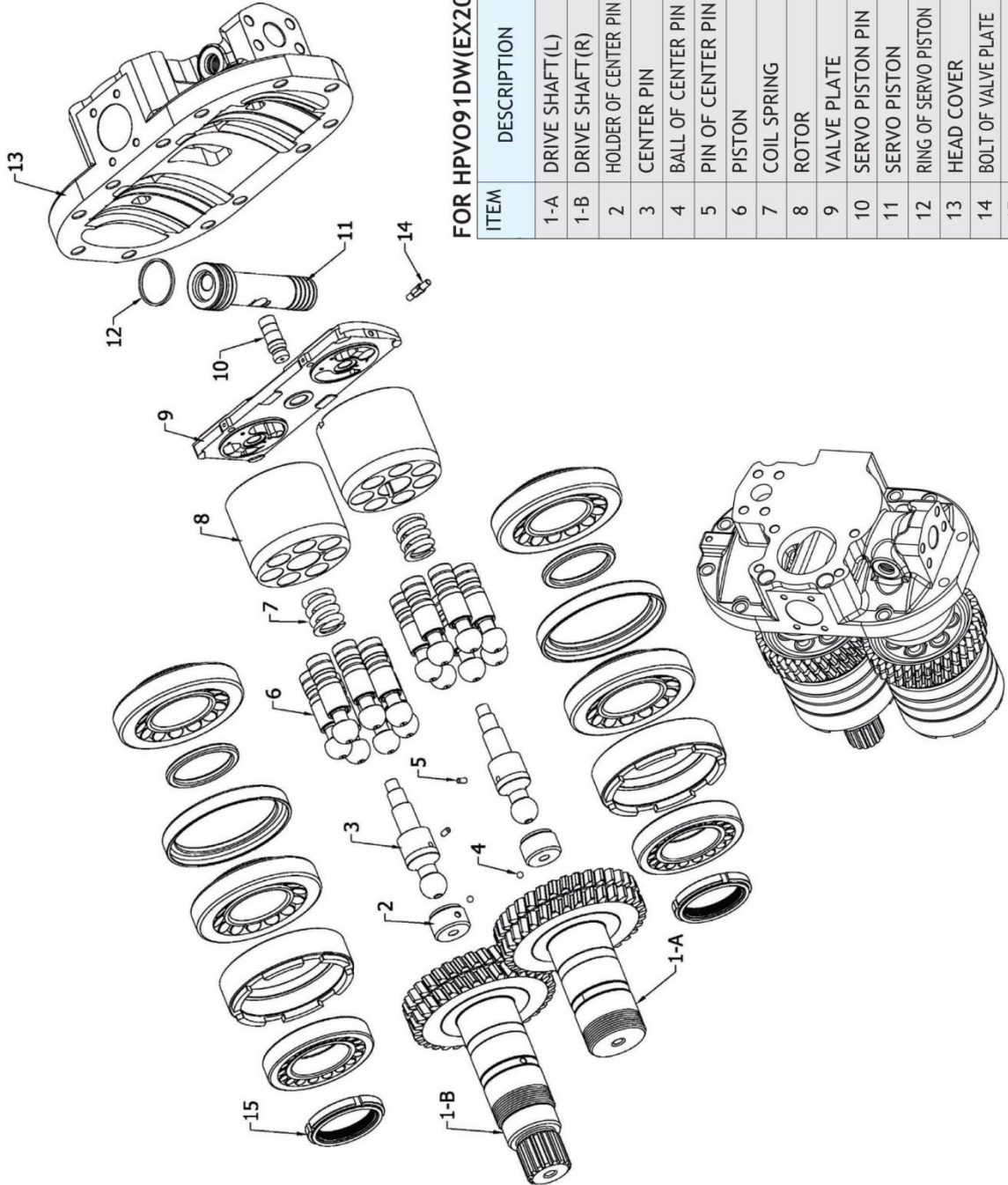


HPV091DW(EX200-2/220-2)



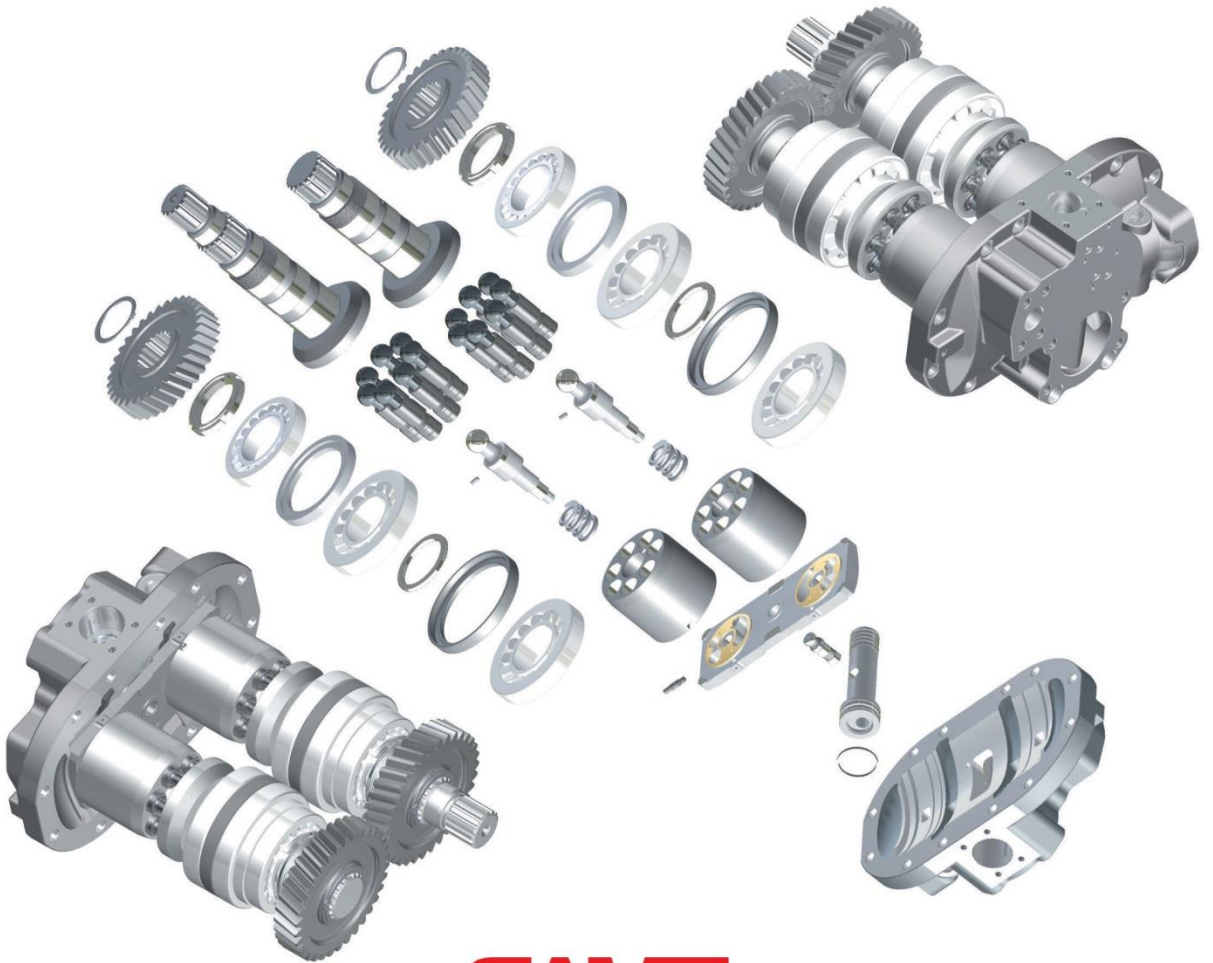
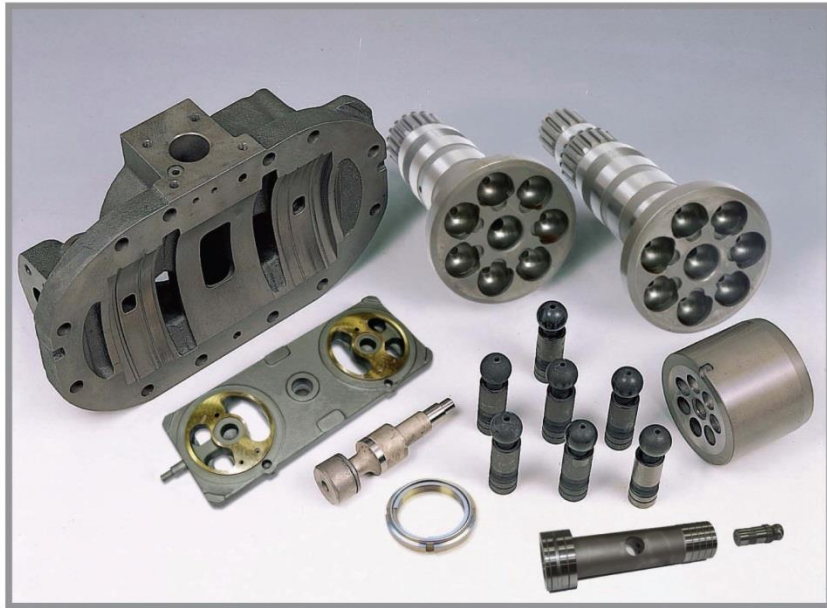
HPV091DW(EX200/220-2)



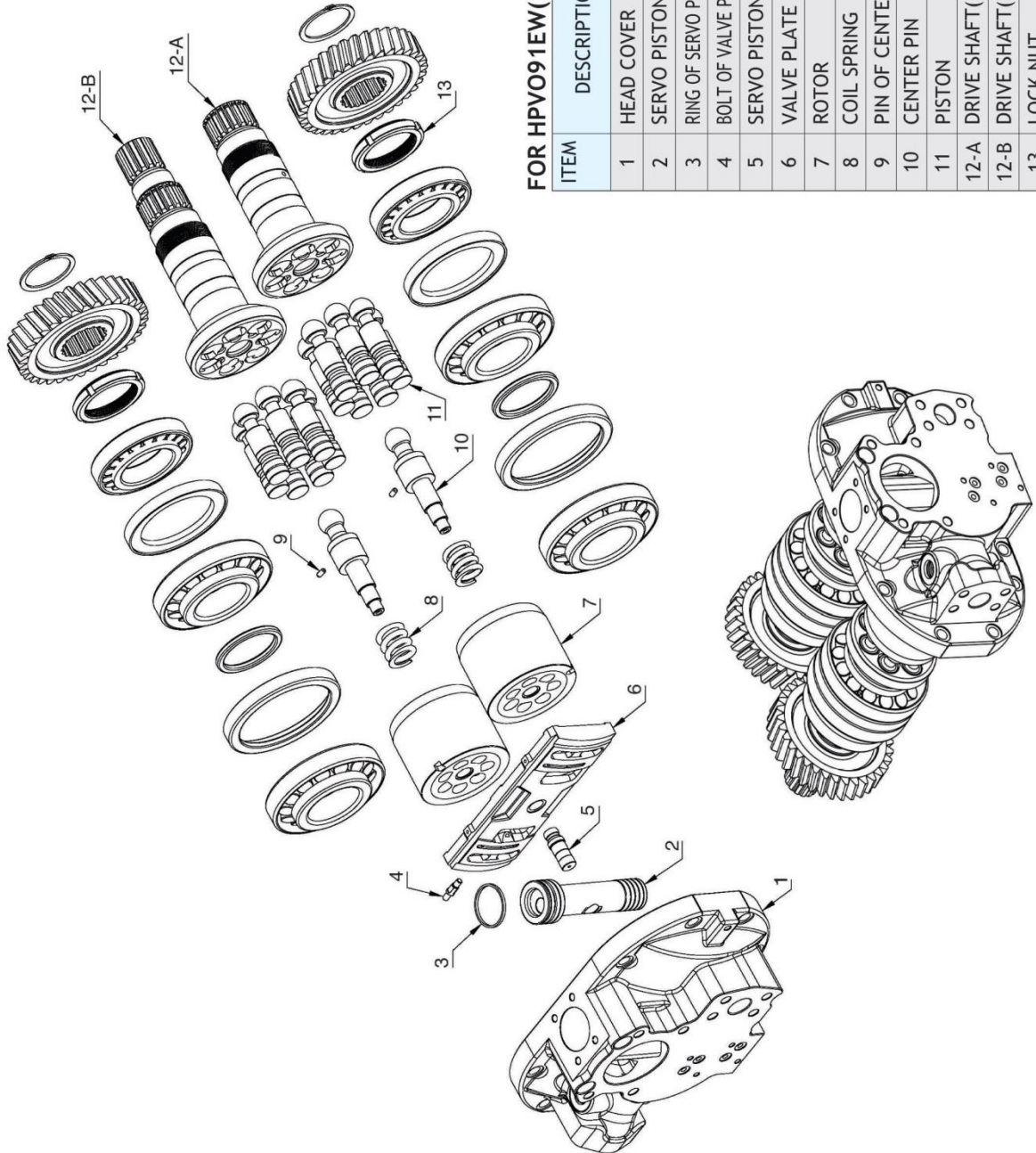
FOR HPV091DW(EX200/220-2)

ITEM	DESCRIPTION	QUANTITY	REMARK
1-A	DRIVE SHAFT (L)	1	
1-B	DRIVE SHAFT (R)	1	
2	HOLDER OF CENTER PIN	2	
3	CENTER PIN	2	
4	BALL OF CENTER PIN	2	
5	PIN OF CENTER PIN	2	
6	PISTON	14	
7	COIL SPRING	2	
8	ROTOR	2	
9	VALVE PLATE	1	
10	SERVO PISTON PIN	1	
11	SERVO PISTON	1	
12	RING OF SERVO PISTON	1	
13	HEAD COVER	1	
14	BOLT OF VALVE PLATE	1	
15	LOCK NUT	2	

HPV091EW(EX200/220-3)



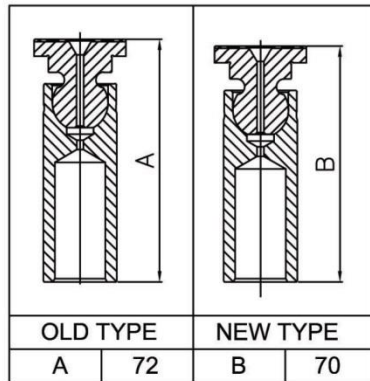
HPV091EW(EX200/220-3)



FOR HPV091EW(EX200-3/220-3)

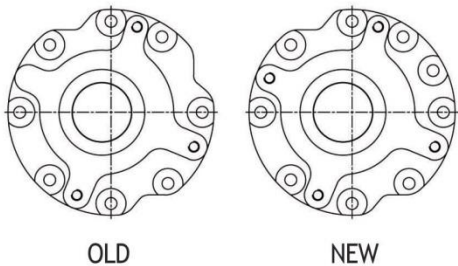
ITEM	DESCRIPTION	QUANTITY	REMARK
1	HEAD COVER	1	
2	SERVO PISTON	1	
3	RING OF SERVO PISTON	1	
4	BOLT OF VALVE PLATE	1	
5	SERVO PISTON PIN	1	
6	VALVE PLATE	1	
7	ROTOR	2	
8	COIL SPRING	2	
9	PIN OF CENTER PIN	2	
10	CENTER PIN	2	
11	PISTON	14	
12-A	DRIVE SHAFT(L)	1	
12-B	DRIVE SHAFT(R)	1	
13	LOCK NUT	2	

HPV75(PC60-7)

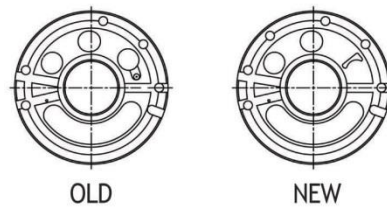


IT IS DIFFERENT ON PISTON LENGTH

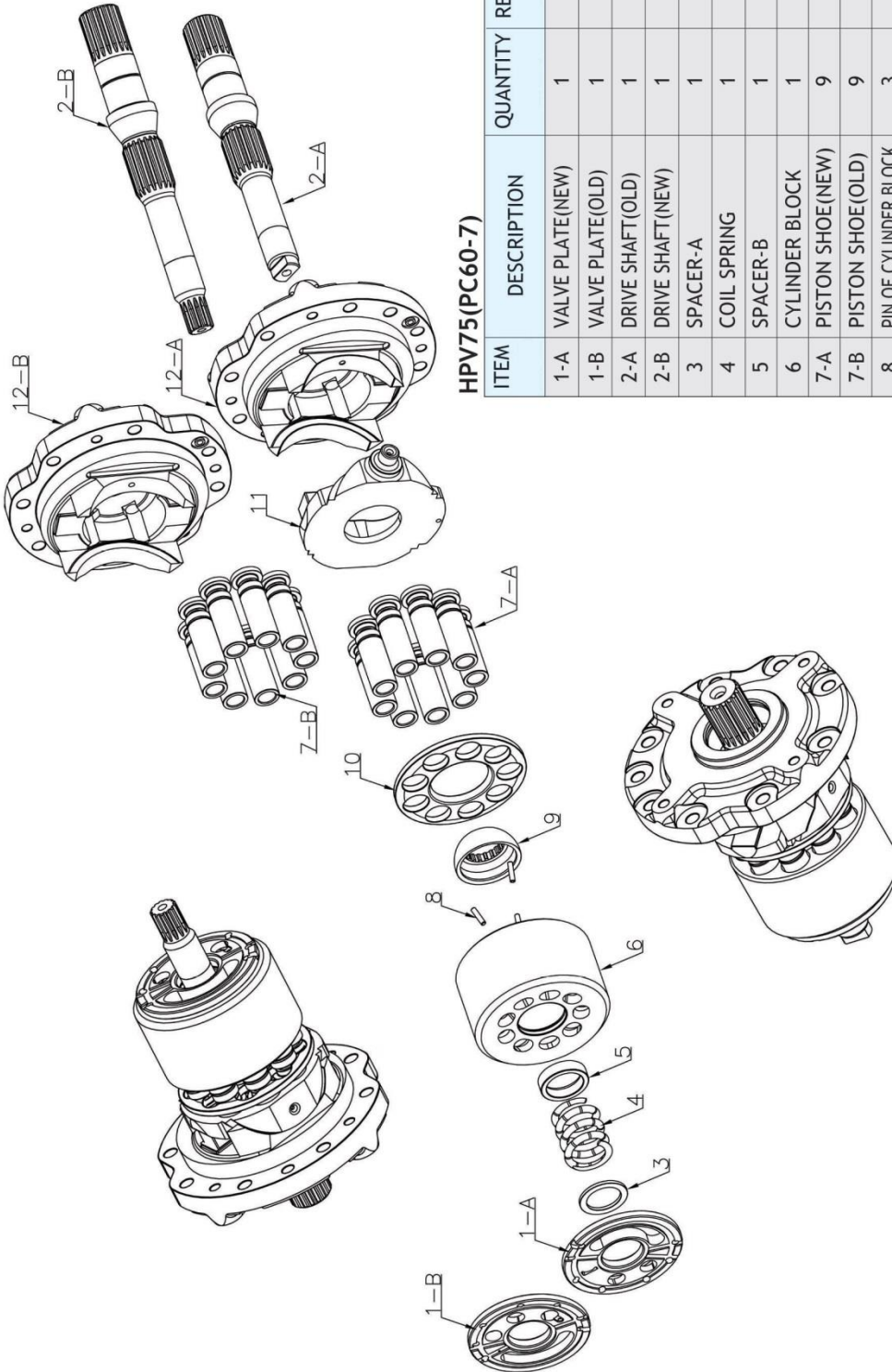
IT IS DIFFERENT ON THE SHAPE BETWEEN THE OLD AND NEW ON CRADLE



IT IS DIFFERENT ON THE SHAPE BETWEEN THE OLD AND NEW ON VALVE PLATE



HPV75(PC60-7)



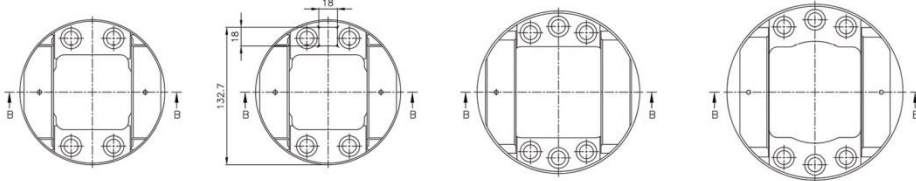
HPV75(PC60-7)

ITEM	DESCRIPTION	QUANTITY	REMARK
1-A	VALVE PLATE(NEW)	1	
1-B	VALVE PLATE(OLD)	1	
2-A	DRIVE SHAFT(OLD)	1	
2-B	DRIVE SHAFT(NEW)	1	
3	SPACER-A	1	
4	COIL SPRING	1	
5	SPACER-B	1	
6	CYLINDER BLOCK	1	
7-A	PISTON SHOE(NEW)	9	
7-B	PISTON SHOE(OLD)	9	
8	PIN OF CYLINDER BLOCK	3	
9	BALL GUIDE	1	
10	SET PLATE	1	
11	CAM ROCKER	1	
12-A	CRADLE(NEW)	1	
12-B	CRADLE(OLD)	1	

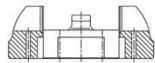
HPV95/132/140/165



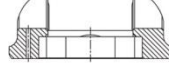
IT IS DIFFERENT ON THE SHAPE



HPV95C
(PC200-6)



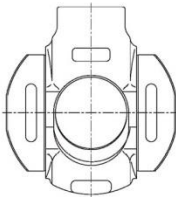
HPV95A
(PC200-7)



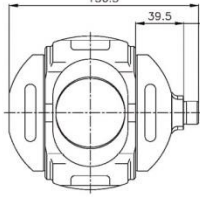
HPV140
(PC300-7&8)



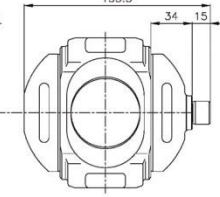
HPV132&165
(PC300-6&400-6/7)



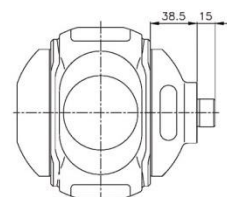
HPV95C
(PC200-6 OLD)



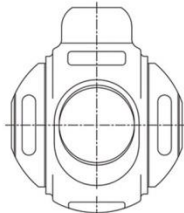
HPV95A
(PC200-6 NEW & PC200-7 NEW)



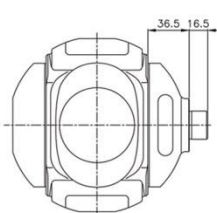
HPV95H
(PC200-7 NEW & PC200-8)



HPV140
(PC300-7&8)



HPV132&165
(PC300&400-6)



HPV165
(PC400-7)

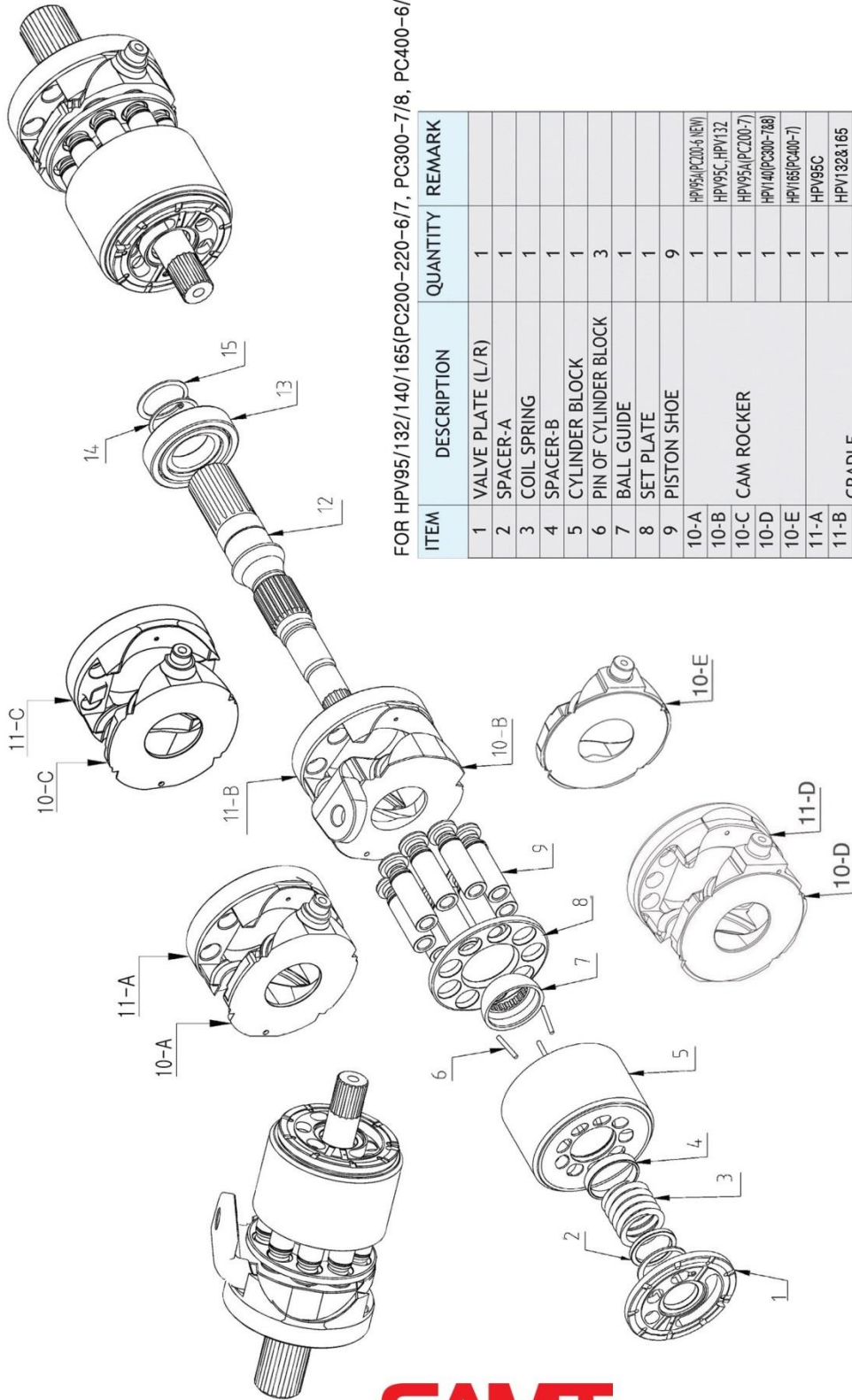


HPV95C
(PC200-6&7)



HPV95H
(PC200-8)

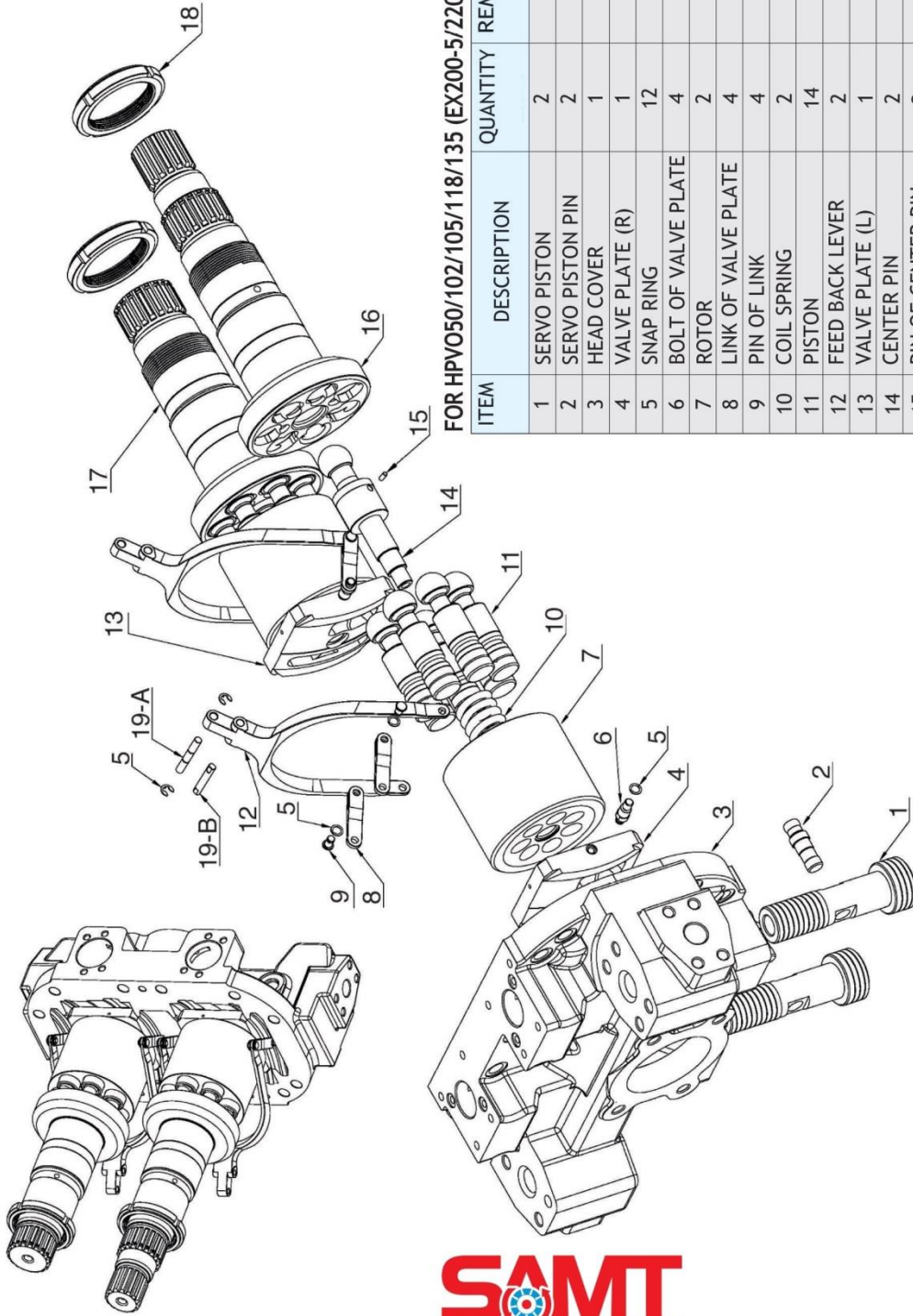
HPV95/132/140/165



FOR HPV95/132/140/165(PC200-220-6/7, PC300-7/8, PC400-6/7)

ITEM	DESCRIPTION	QUANTITY	REMARK
1	VALVE PLATE (L/R)	1	
2	SPACER-A	1	
3	COIL SPRING	1	
4	SPACER-B	1	
5	CYLINDER BLOCK	1	
6	PIN OF CYLINDER BLOCK	3	
7	BALL GUIDE	1	
8	SET PLATE	1	
9	PISTON SHOE	9	
10-A		1	HPV95(PC200-6 NEW)
10-B		1	HPV95C, HPV132
10-C	CAM ROCKER	1	HPV95A(PC200-7)
10-D		1	HPV140(PC300-7&8)
10-E		1	HPV165(PC400-7)
11-A		1	HPV95C
11-B		1	HPV132&165
11-C	CRADLE	1	HPV95A
11-D		1	HPV140
12	DRIVE SHAFT (L/R)	2	
13	ROLLER BEARING	1	
14	SPACER	1	
15	SNAP RING	1	

HPV050/102/105/118/135



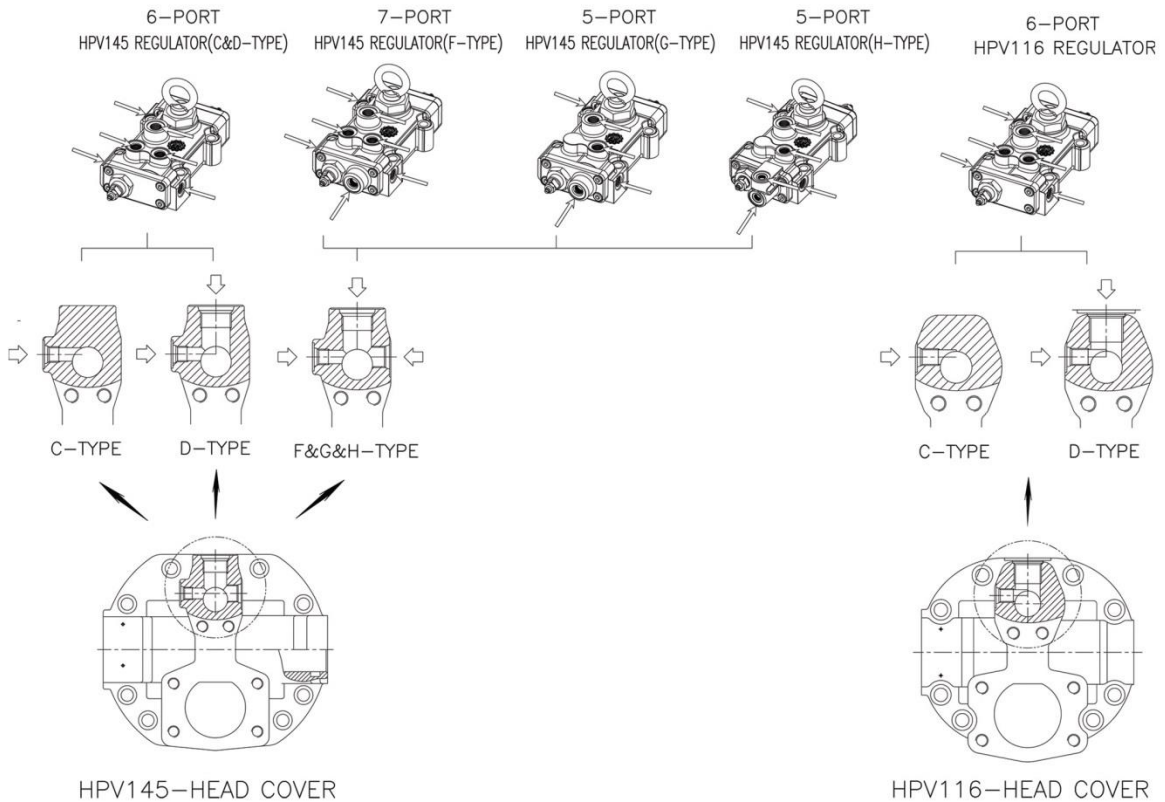
FOR HPV050/102/105/118/135 (EX200-5/220-5, ZAXIS200/220/230)

ITEM	DESCRIPTION	QUANTITY	REMARK
1	SERVO PISTON	2	
2	SERVO PISTON PIN	2	
3	HEAD COVER	1	
4	VALVE PLATE (R)	1	
5	SNAP RING	12	
6	BOLT OF VALVE PLATE	4	
7	ROTOR	2	
8	LINK OF VALVE PLATE	4	
9	PIN OF LINK	4	
10	COIL SPRING	2	
11	PISTON	14	
12	FEED BACK LEVER	2	
13	VALVE PLATE (L)	1	
14	CENTER PIN	2	
15	PIN OF CENTER PIN	2	
16	DRIVE SHAFT (R)	1	
17	DRIVE SHAFT (L)	1	
18	LOCK NUT	2	
19-A	PIN OF FEED BACK-A	2	
19-B	PIN OF FEED BACK-B	2	

HPV116 & HPV145



HPV116/145 HEAD COVER & REGULATOR TYPE



HPV116/145

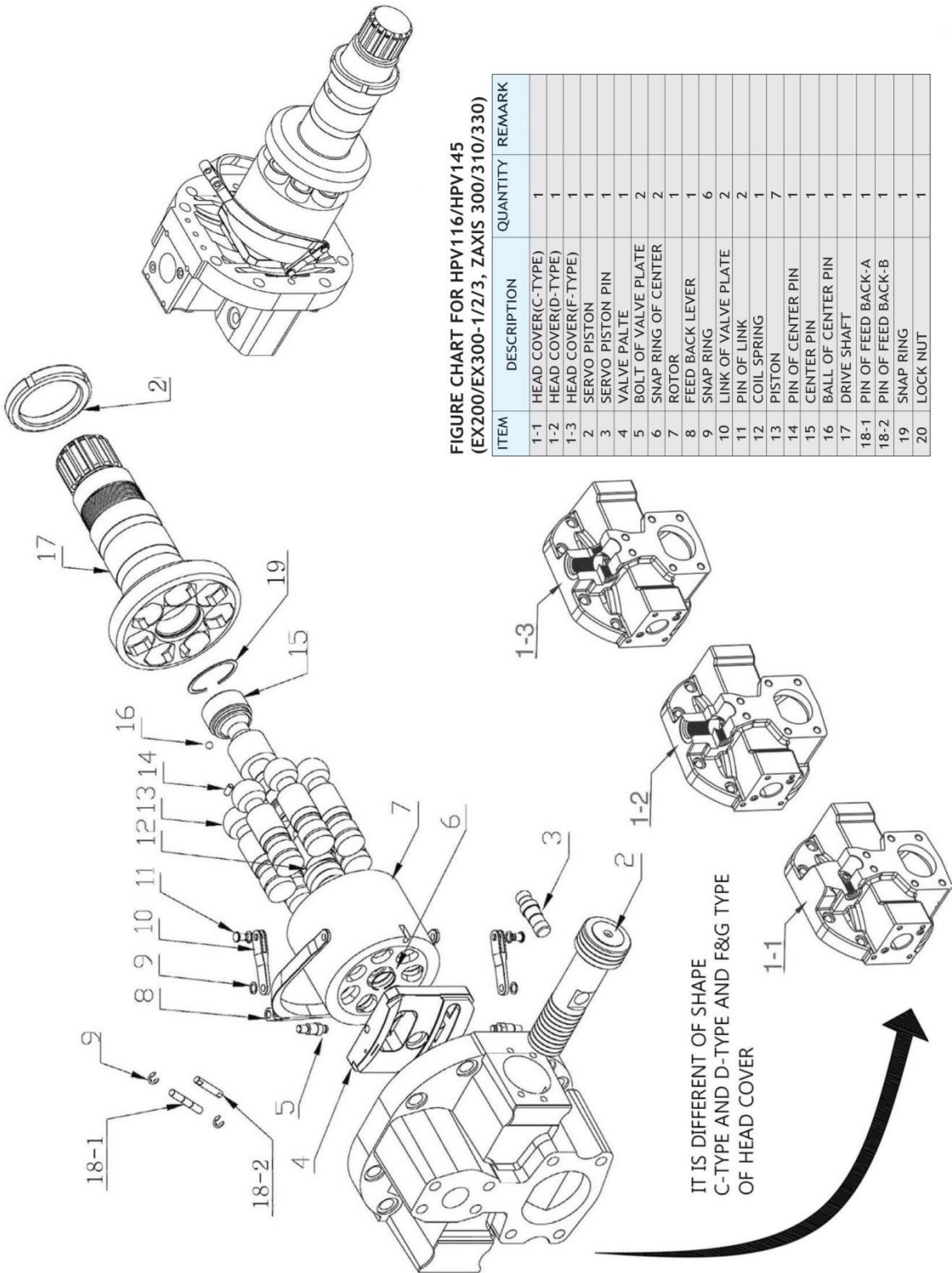
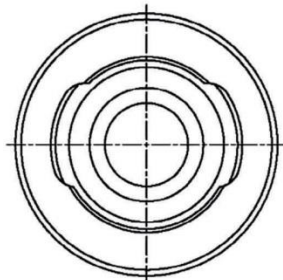


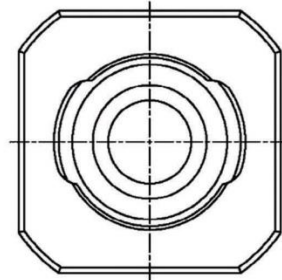
FIGURE CHART FOR HPV116/HPV145
(EX200/EX300-1/2/3, ZAXIS 300/310/330)

ITEM	DESCRIPTION	QUANTITY	REMARK
1-1	HEAD COVER(C-TYPE)	1	
1-2	HEAD COVER(D-TYPE)	1	
1-3	HEAD COVER(F-TYPE)	1	
2	SERVO PISTON	1	
3	SERVO PISTON PIN	1	
4	VALVE PALTE	1	
5	BOLT OF VALVE PLATE	2	
6	SNAP RING OF CENTER	2	
7	ROTOR	1	
8	FEED BACK LEVER	1	
9	SNAP RING	6	
10	LINK OF VALVE PLATE	2	
11	PIN OF LINK	2	
12	COIL SPRING	1	
13	PISTON	7	
14	PIN OF CENTER PIN	1	
15	CENTER PIN	1	
16	BALL OF CENTER PIN	1	
17	DRIVE SHAFT	1	
18-1	PIN OF FEED BACK-A	1	
18-2	PIN OF FEED BACK-B	1	
19	SNAP RING	1	
20	LOCK NUT	1	

HPV125A



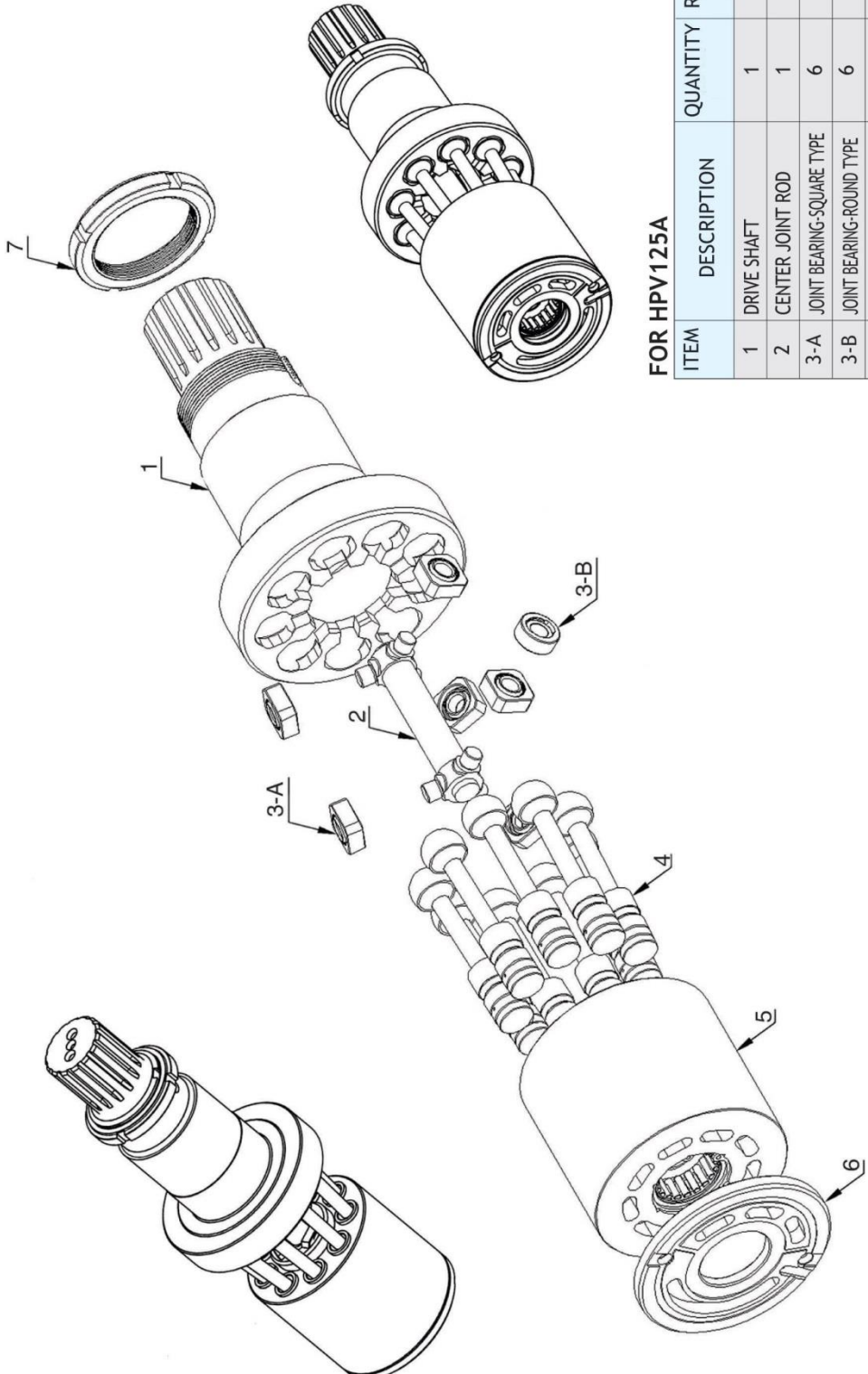
ROUND TYPE



SQUARE TYPE

IT IS DIFFERENT ON THE SHAPE BETWEEN
THE ROUND TYPE AND SQUARE TYPE OF JOINT BEARING

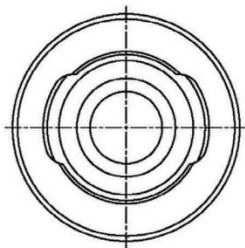
HPV125A



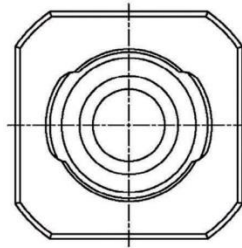
FOR HPV125A

ITEM	DESCRIPTION	QUANTITY	REMARK
1	DRIVE SHAFT	1	
2	CENTER JOINT ROD	1	
3-A	JOINT BEARING-SQUARE TYPE	6	
3-B	JOINT BEARING-ROUND TYPE	6	
4	PISTON	9	
5	ROTOR	1	
6	VALVE PLATE	1	
7	LOCK NUT	1	

HPV125B&HMT125AC

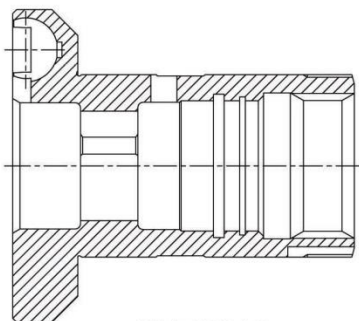


ROUND TYPE

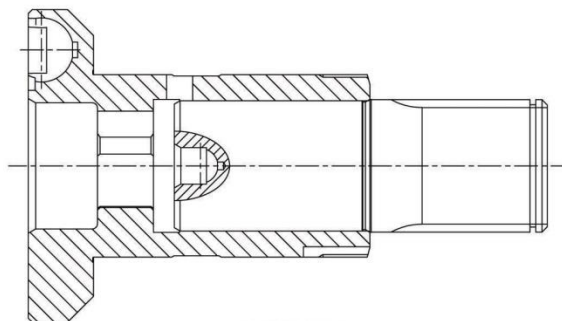


SQUARE TYPE

IT IS DIFFERENT ON THE SHAPE BETWEEN THE ROUND TYPE AND SQUARE TYPE OF JOINT BEARING



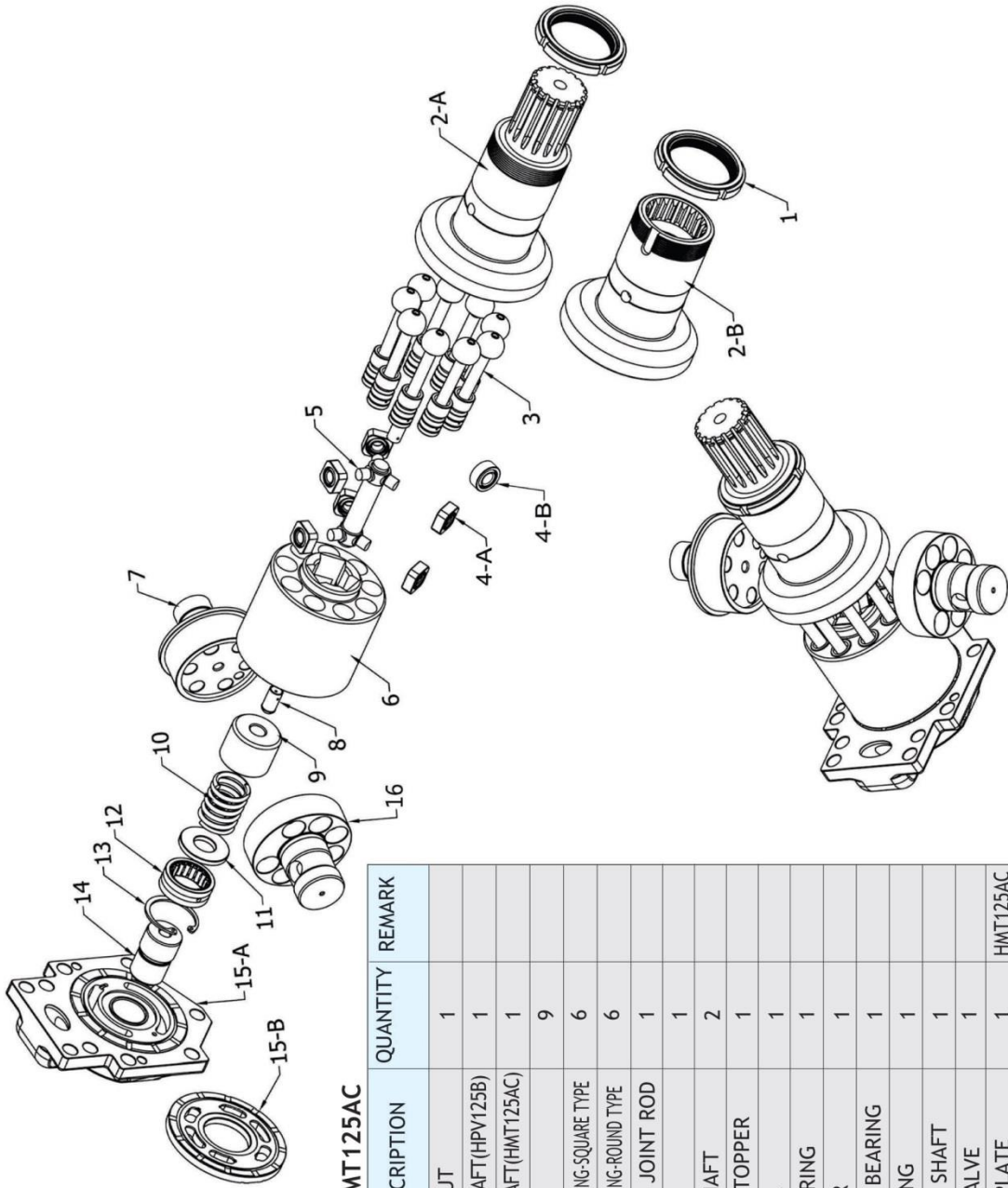
HMT125AC



HPV125B

IT IS DIFFERENT ON THE SHAPE BETWEEN THE HPV125B & HMT125AC ON DRIVE SHAFT

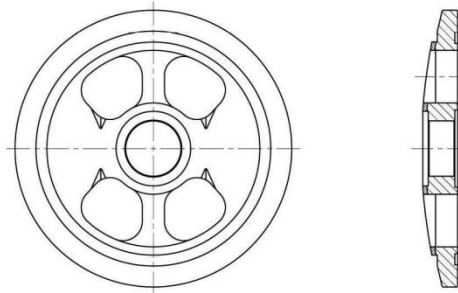
HPV125B&HMT125AC



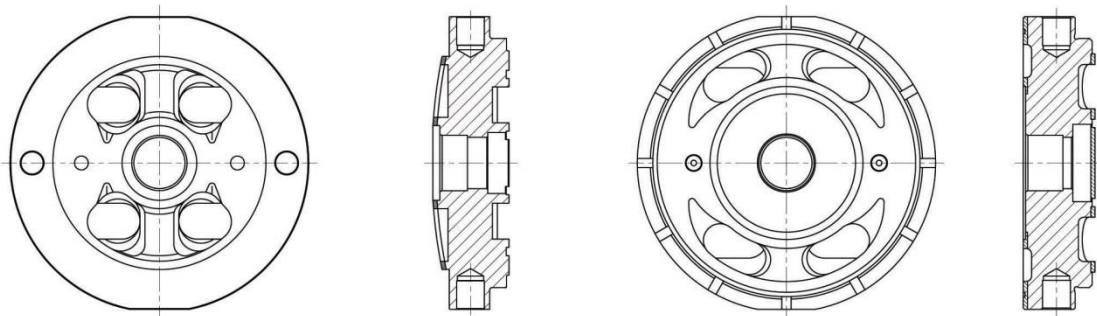
HPV125B/HMT125AC

ITEM	DESCRIPTION	QUANTITY	REMARK
1	LOCK NUT	1	
2-A	DRIVE SHAFT(HPV125B)	1	
2-B	DRIVE SHAFT(HMT125AC)	1	
3	PISTON	9	
4-A	JOINT BEARING-SQUARE TYPE	6	
4-B	JOINT BEARING-ROUND TYPE	6	
5	CENTER JOINT ROD	1	
6	ROTOR	1	
7	AXLE SHAFT	2	
8	JOINT STOPPER	1	
9	HOLDER	1	
10	COIL SPRING	1	
11	WASHER	1	
12	NEEDLE BEARING	1	
13	SNAP RING	1	
14	CENTER SHAFT	1	
15-A	HEAD VALVE	1	
15-B	VALVE PLATE	1	HMT125AC
16	ROTARY JOINT	1	

HMGC/HMGF/HMV SERIES



HMV-TYPE

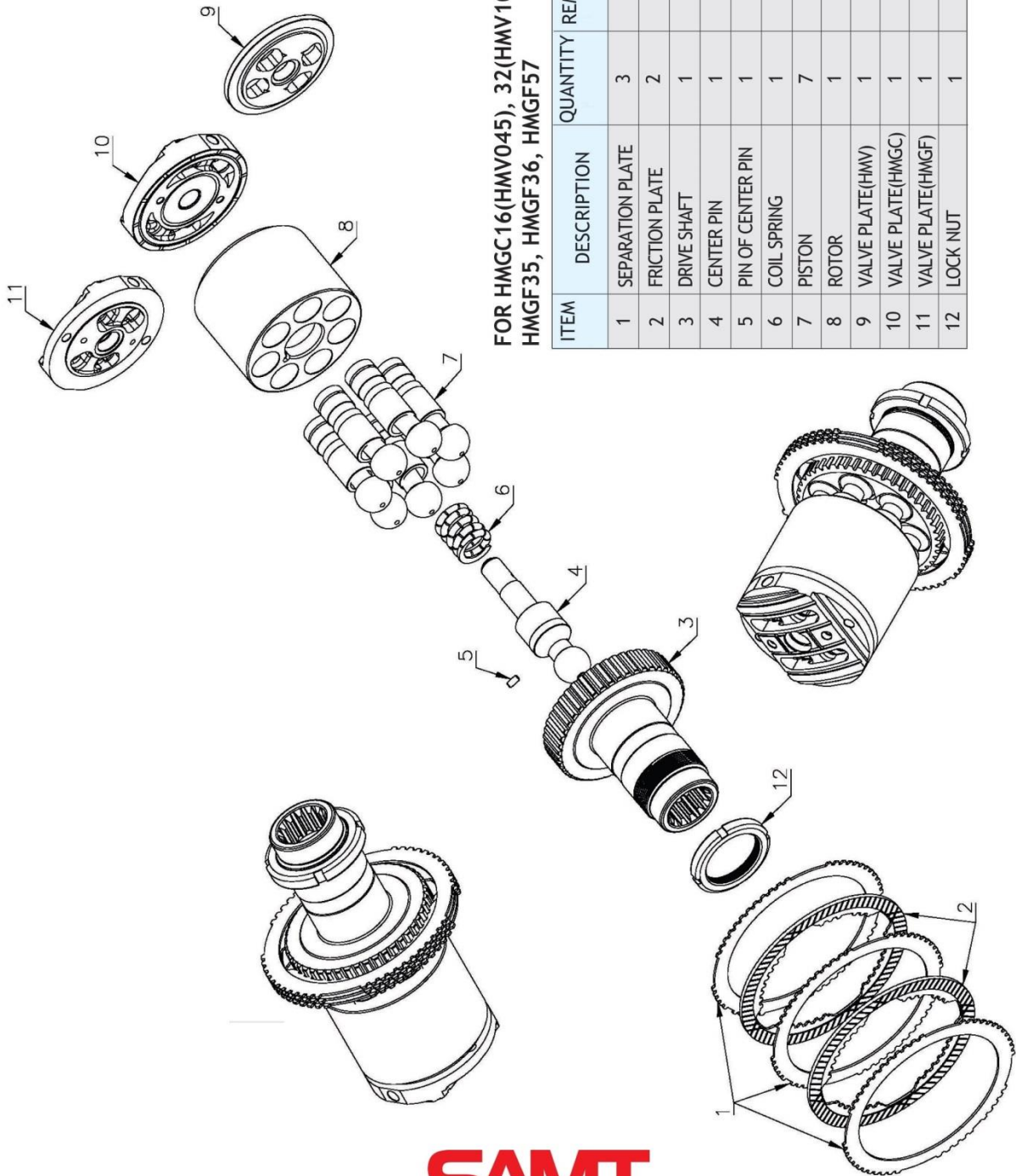


HMGF-TYPE

HMGC-TYPE

IT IS DIFFERENT ON THE SHAPE HMV AND HMGC AND HMGF OF VALVE PLATE

HMGC/HMGF/HMV



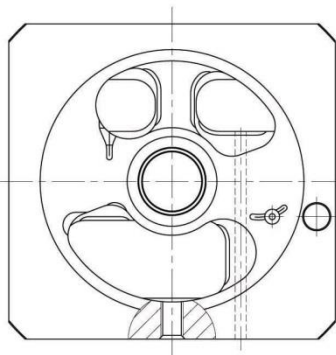
FOR HMGC16(HMV045), 32(HMV107), 48(HMV135),
HMGF35, HMGF36, HMGF57

ITEM	DESCRIPTION	QUANTITY	REMARK
1	SEPARATION PLATE	3	
2	FRICTION PLATE	2	
3	DRIVE SHAFT	1	
4	CENTER PIN	1	
5	PIN OF CENTER PIN	1	
6	COIL SPRING	1	
7	PISTON	7	
8	ROTOR	1	
9	VALVE PLATE(HMV)	1	
10	VALVE PLATE(HMGC)	1	
11	VALVE PLATE(HMGF)	1	
12	LOCK NUT	1	

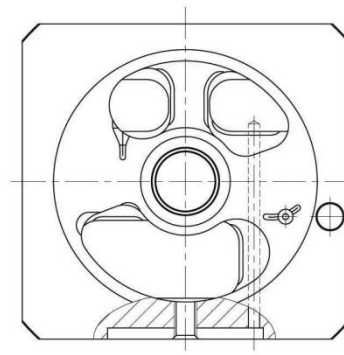
HPV091DS/ES



IT IS DIFFERENT ON THE SHAPE BETWEEN
THE HPV091ES TYPE AND HPV091DS TYPE OF VALVE PLATE

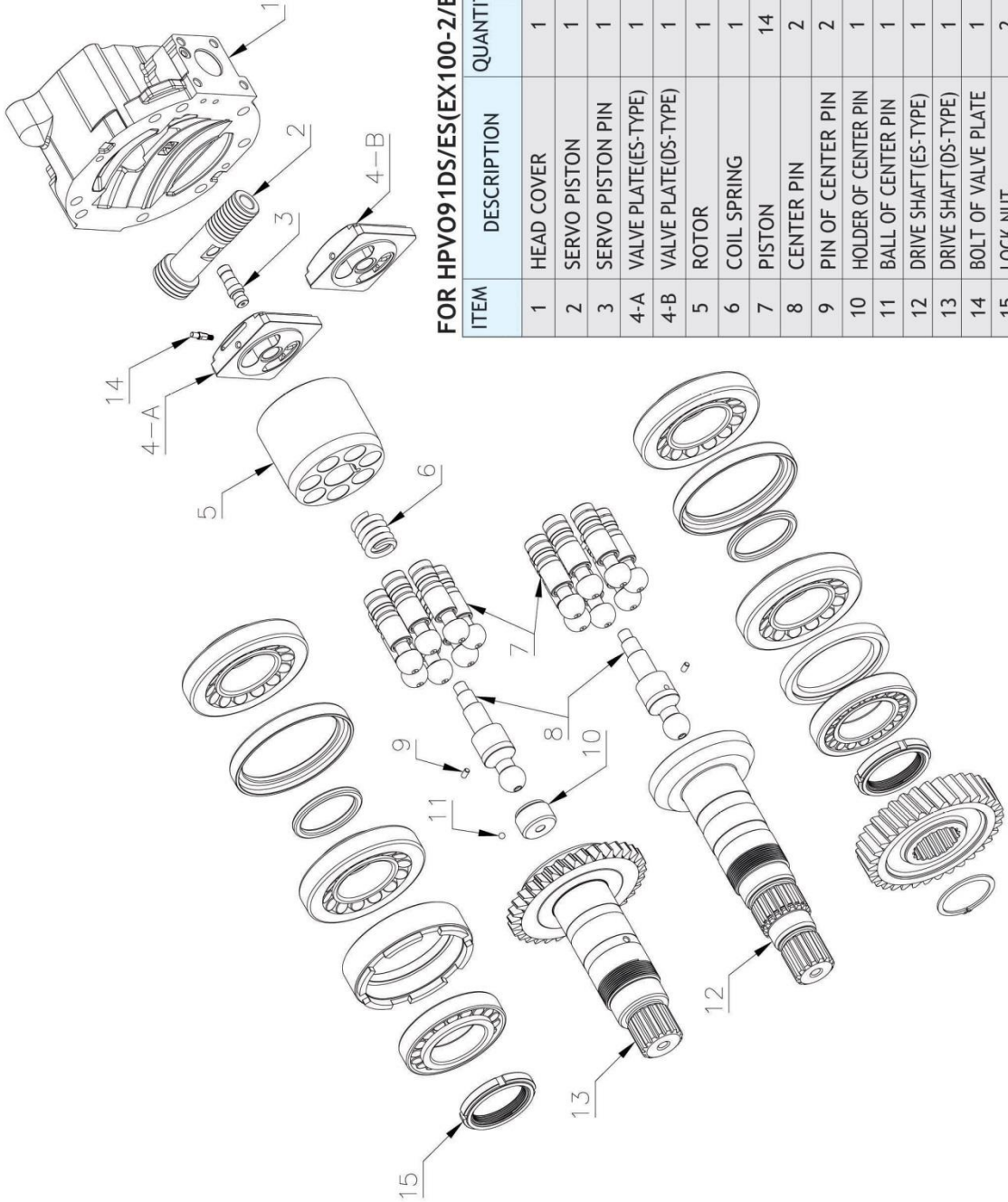


HPV091ES



HPV091DS

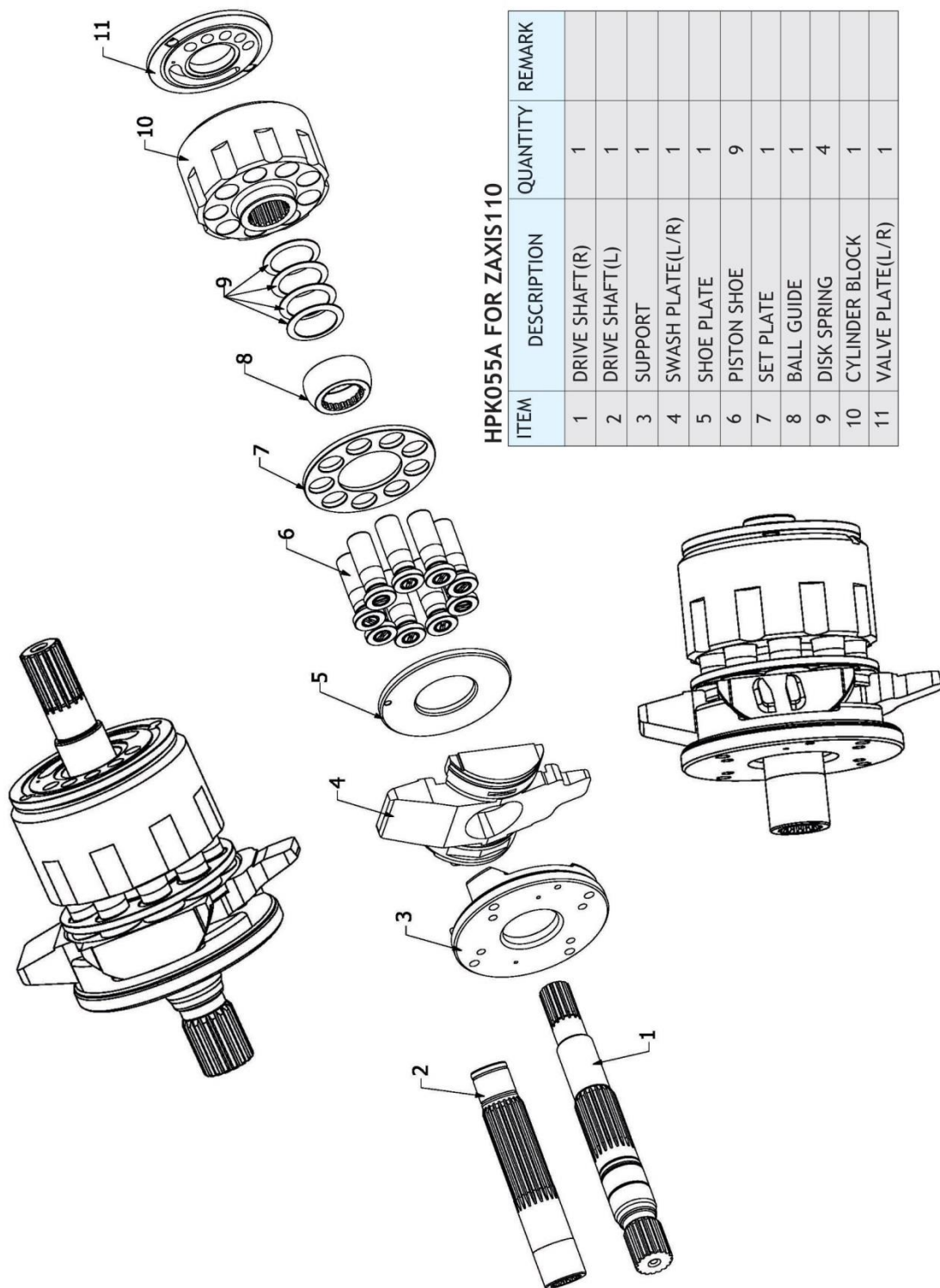
HPV091DS/ES



FOR HPV091DS/ES(EX100-2/EX100-3/5)

ITEM	DESCRIPTION	QUANTITY	REMARK
1	HEAD COVER	1	
2	SERVO PISTON	1	
3	SERVO PISTON PIN	1	
4-A	VALVE PLATE(ES-TYPE)	1	
4-B	VALVE PLATE(DS-TYPE)	1	
5	ROTOR	1	
6	COIL SPRING	1	
7	PISTON	14	
8	CENTER PIN	2	
9	PIN OF CENTER PIN	2	
10	HOLDER OF CENTER PIN	1	DS-TYPE
11	BALL OF CENTER PIN	1	DS-TYPE
12	DRIVE SHAFT(ES-TYPE)	1	
13	DRIVE SHAFT(DS-TYPE)	1	
14	BOLT OF VALVE PLATE	1	
15	LOCK NUT	2	

HPK055A FOR ZAXIS110



HPK055A FOR ZAXIS110

ITEM	DESCRIPTION	QUANTITY	REMARK
1	DRIVE SHAFT (R)	1	
2	DRIVE SHAFT (L)	1	
3	SUPPORT	1	
4	SWASH PLATE (L/R)	1	
5	SHOE PLATE	1	
6	PISTON SHOE	9	
7	SET PLATE	1	
8	BALL GUIDE	1	
9	DISK SPRING	4	
10	CYLINDER BLOCK	1	
11	VALVE PLATE (L/R)	1	