

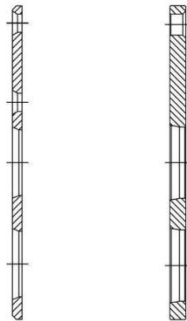
FOR HMV110/160(PC200-6/7, PC300-6/7)

ITEM	DESCRIPTION	QUANTITY	REMARK
1	DRIVE SHAFT	1	
2	BALL OF SWASH PLATE	2	
3	SWASH PLATE	1	
4	PISTON SHOE	9	
5	SET PLATE	1	
6	BALL GUIDE	1	
7	PIN OF CYLINDER BLOCK	3	
8	CYLINDER BLOCK	1	
9	VALVE PLATE	1	
10	FRICTION PLATE	3	
11	SEPARATION PLATE	4	

KMF40/90/160, KPV90/105

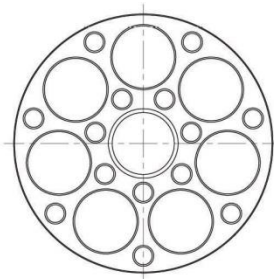


RETAINER PLATE

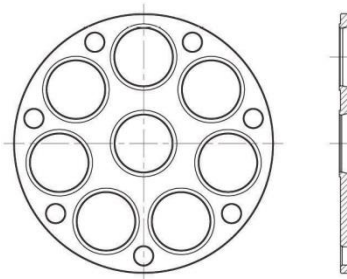


TAPER TYPE

FILLET TYPE



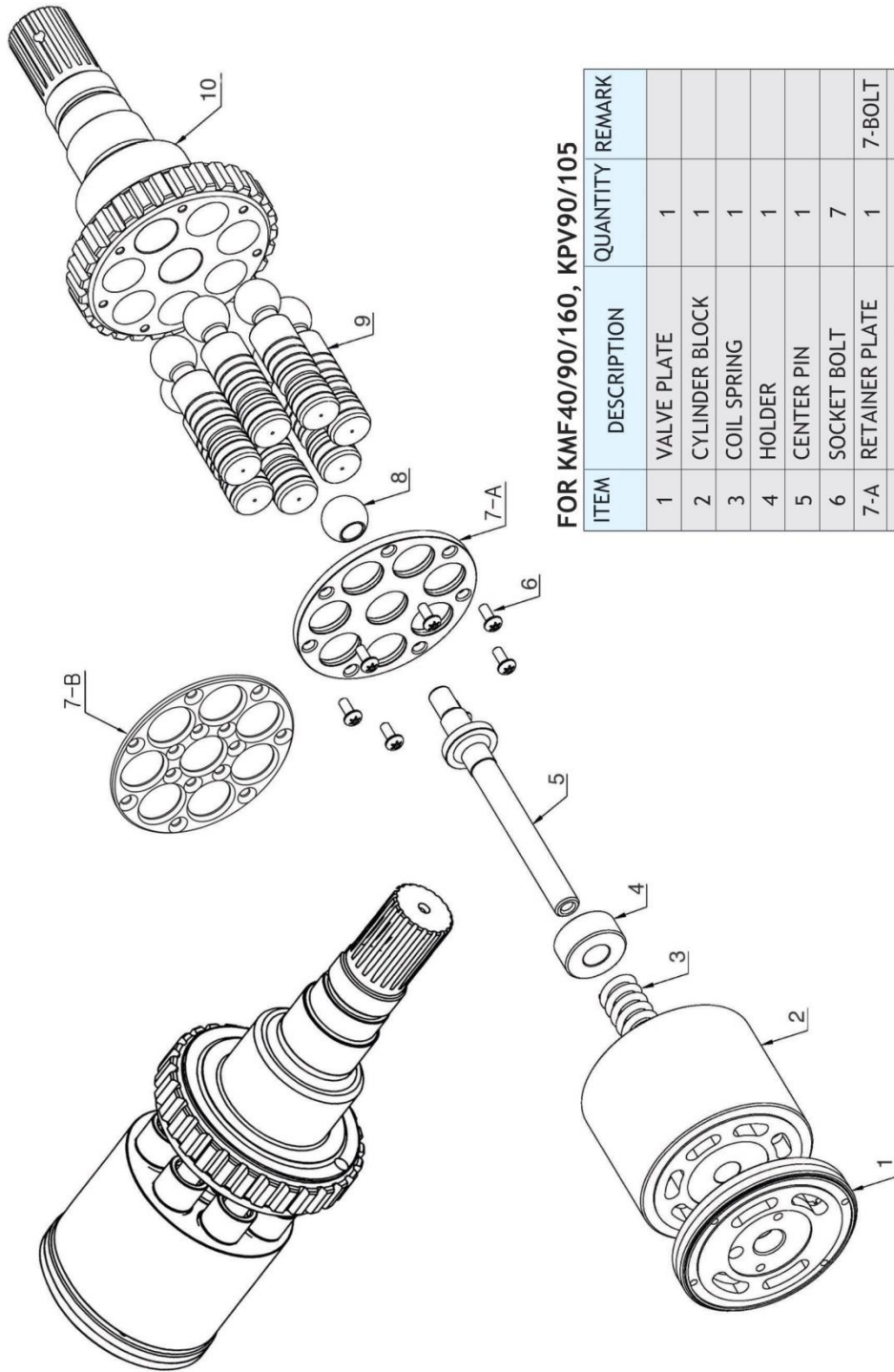
14-BOLT TYPE



7-BOLT TYPE

IT IS DIFFERENT ON THE SHAPE BETWEEN THE 7-BOLT TYPE AND 14-BOLT TYPE

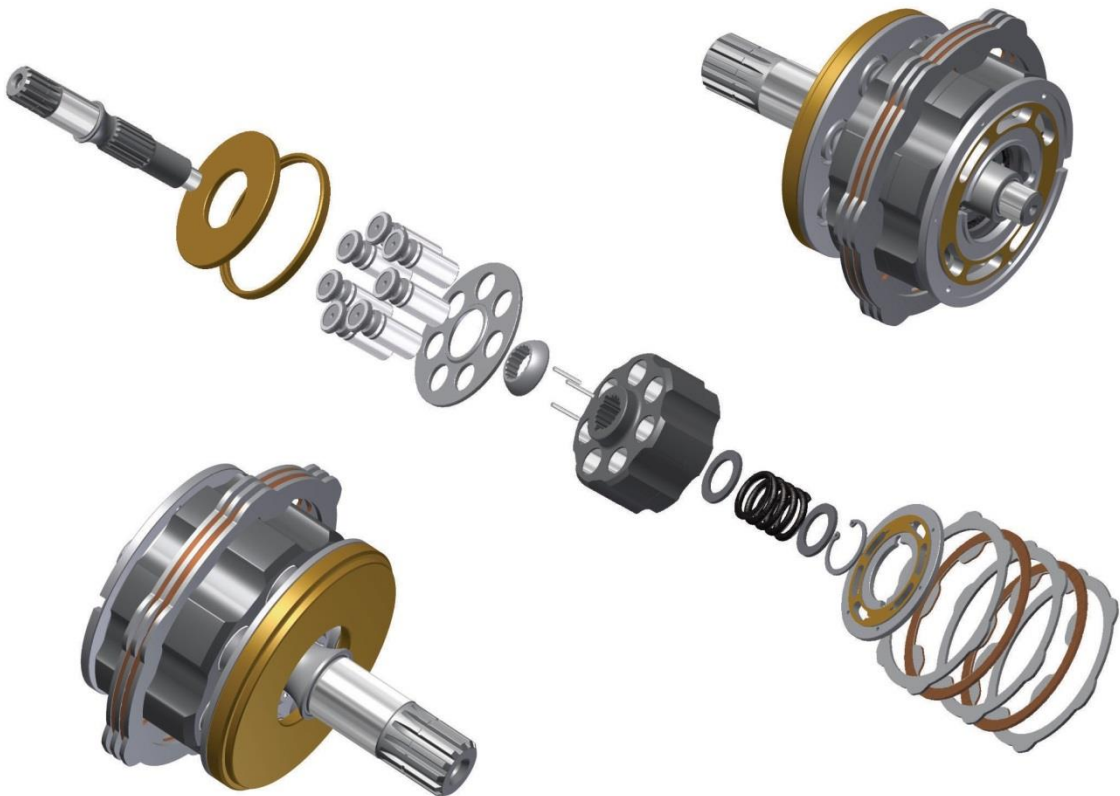
KMF40/90/160, KPV90/105

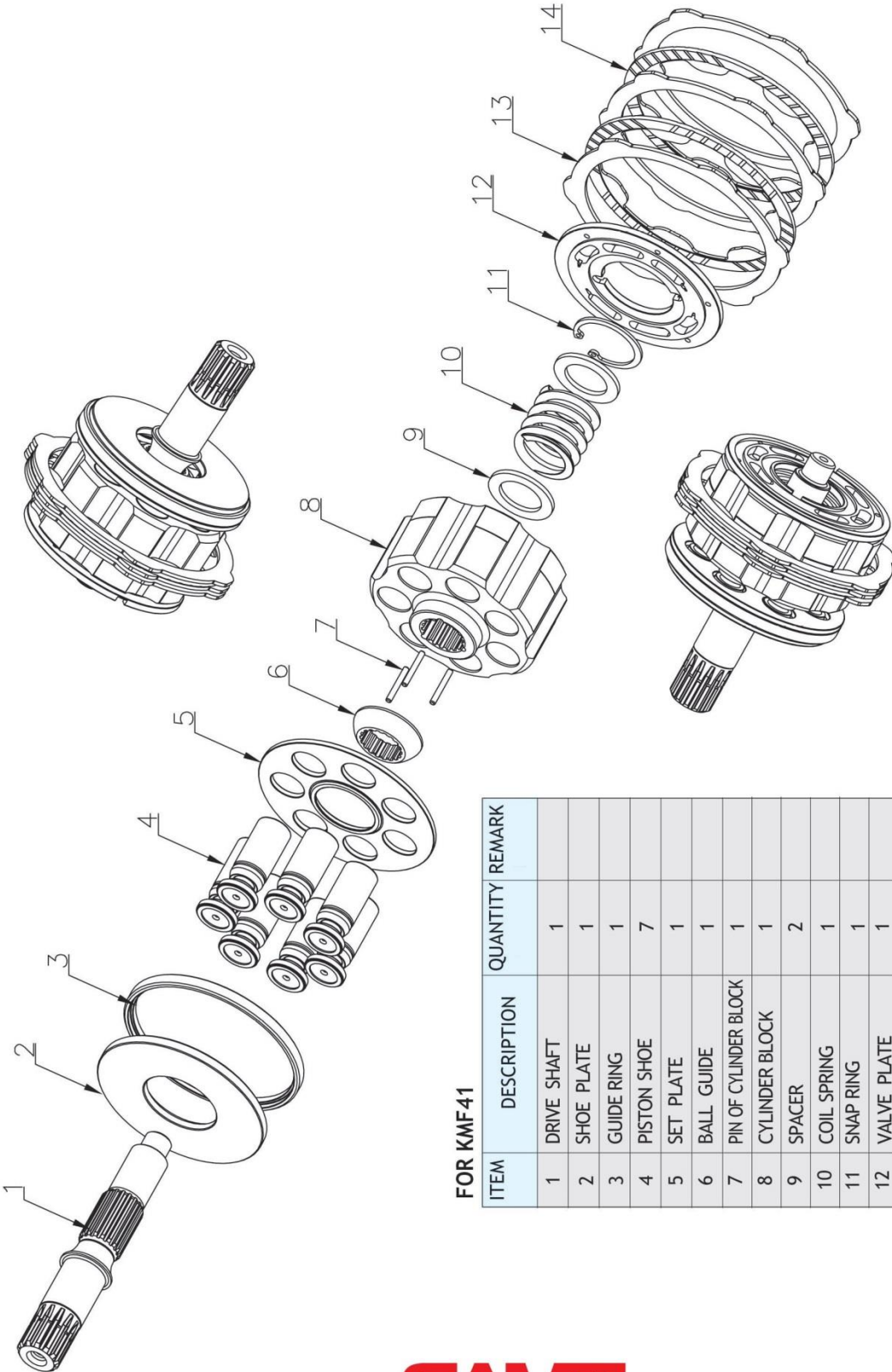


FOR KMF40/90/160, KPV90/105

ITEM	DESCRIPTION	QUANTITY	REMARK
1	VALVE PLATE	1	
2	CYLINDER BLOCK	1	
3	COIL SPRING	1	
4	HOLDER	1	
5	CENTER PIN	1	
6	SOCKET BOLT	7	
7-A	RETAINER PLATE	1	7-BOLT
7-B	RETAINER PLATE	1	14-BOLT
8	CENTER BALL	1	
9	PISTON	7	
10	DRIVE SHAFT	1	

KMF41

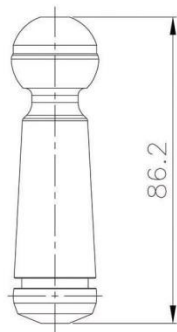




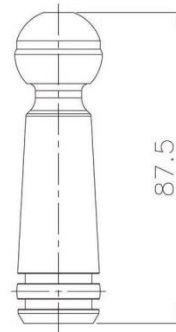
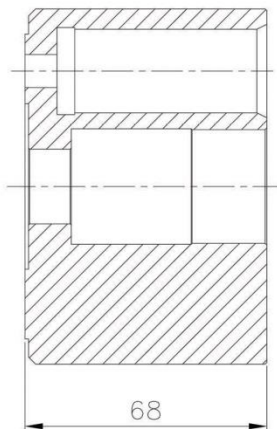
FOR KMF41

ITEM	DESCRIPTION	QUANTITY	REMARK
1	DRIVE SHAFT	1	
2	SHOE PLATE	1	
3	GUIDE RING	1	
4	PISTON SHOE	7	
5	SET PLATE	1	
6	BALL GUIDE	1	
7	PIN OF CYLINDER BLOCK	1	
8	CYLINDER BLOCK	1	
9	SPACER	2	
10	COIL SPRING	1	
11	SNAP RING	1	
12	VALVE PLATE	1	
13	SEPARATION PLATE	3	
14	FRICTION PLATE	2	

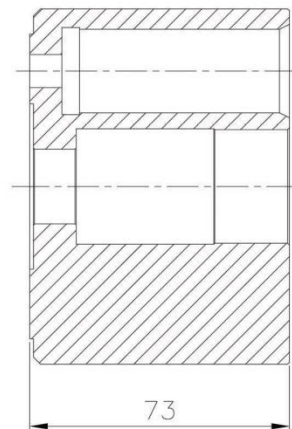
KMF125



ONE RING TYPE

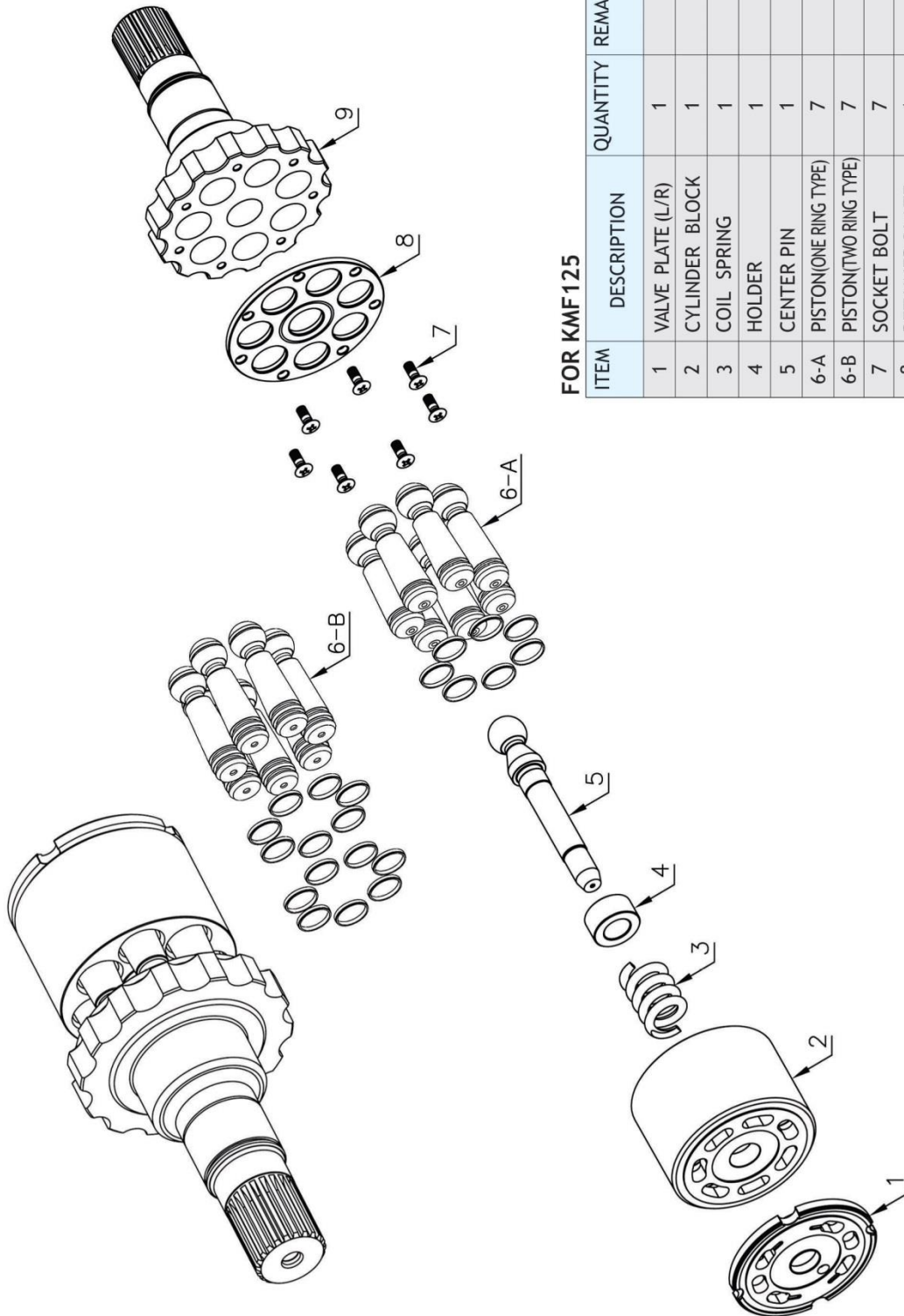


TOW RING TYPE



IT IS DIFFERENT ON THE SHAPE BETWEEN THE ONE RING AND TWO RING TYPE ON PISTON

KMF125



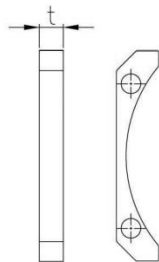
FOR KMF125

ITEM	DESCRIPTION	QUANTITY	REMARK
1	VALVE PLATE (L/R)	1	
2	CYLINDER BLOCK	1	
3	COIL SPRING	1	
4	HOLDER	1	
5	CENTER PIN	1	
6-A	PISTON(ONE RING TYPE)	7	
6-B	PISTON(TWO RING TYPE)	7	
7	SOCKET BOLT	7	
8	RETAINER PLATE	1	
9	DRIVE SHAFT	1	

HPV (KOMATSU) SERIES

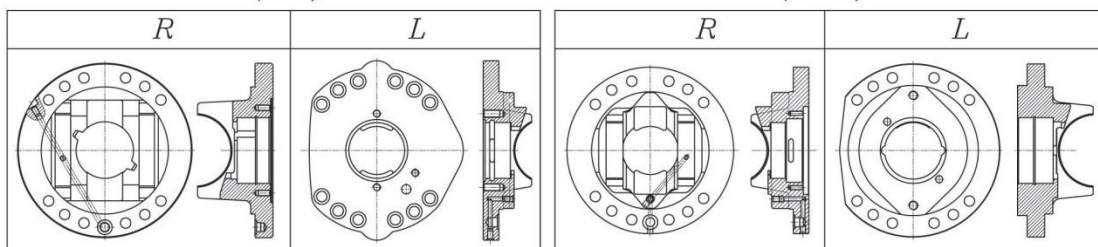
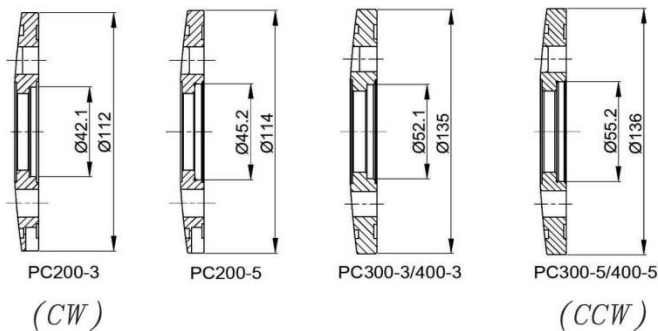


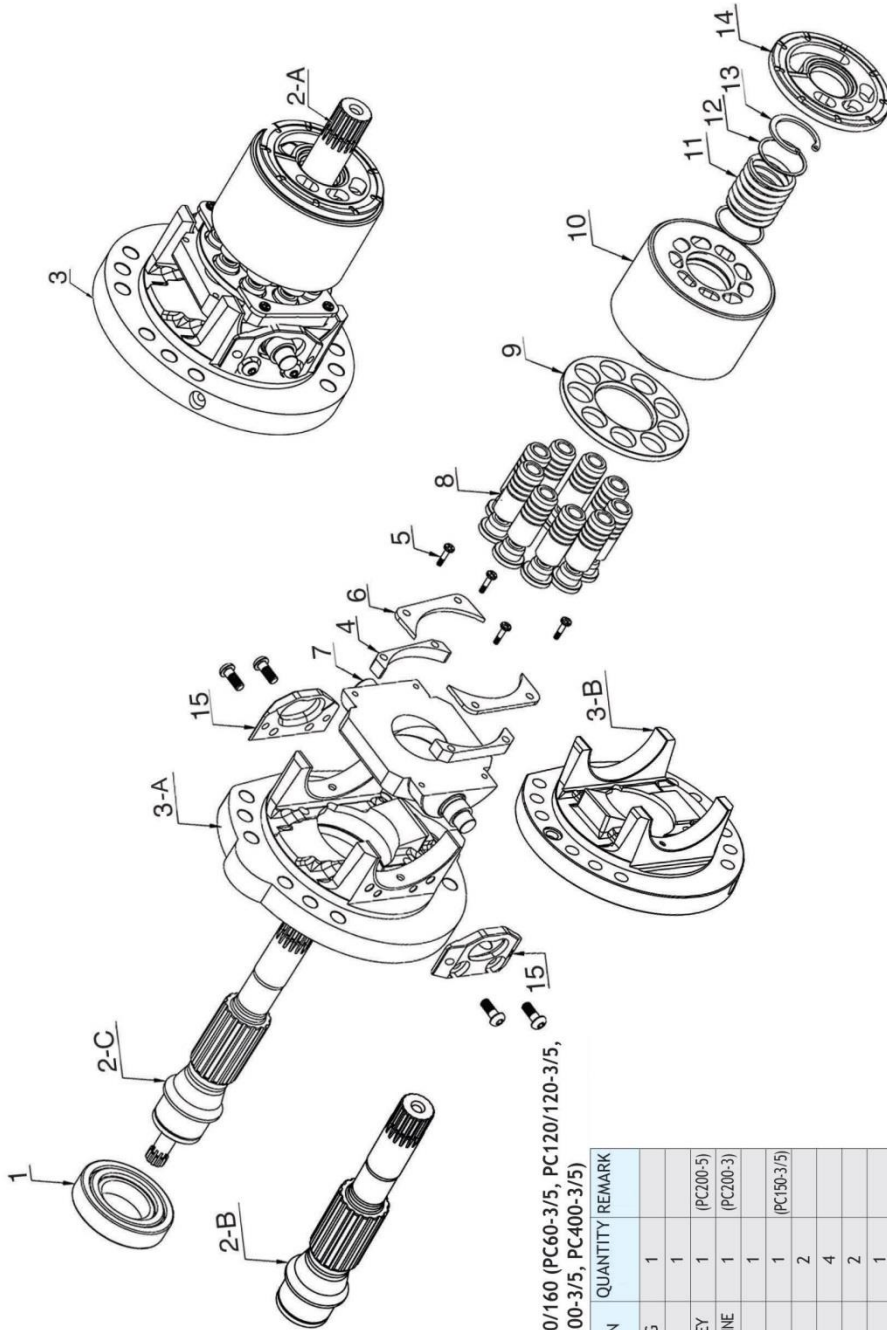
IT IS DIFFERENT ON SPACE THICKNESS



TYPE	SPACE THICKNESS		
	A	B	C
HPV35 (PC60-3/5)	8.00	8.03	8.05
HPV55 (PC120/120-3/5)	9.40	9.43	9.45
HPV71/90 (PC200/220-3/5)	11.54	11.56	11.575
HPV160 (PC300/400-3/5)	13.54	13.56	13.575

IT IS DIFFERENT ON VALVE PLATE & CRADLE SHAPE(HPV35/55/70/90/160)





FOR HPV35/55/71/90/160 (PC60-3/5, PC120/120-3/5, PC200/220-3/5, PC300-3/5, PC400-3/5)

ITEM	DESCRIPTION	QUANTITY	REMARK
1	ROLLER BEARING	1	
2-A	DRIVE SHAFT (R)	1	
2-B	DRIVE SHAFT (L)-KEY	1	(PC200-5)
2-C	DRIVE SHAFT (L)-SPLINE	1	(PC200-3)
3-A	CRADLE (L/R)	1	
3-B	CRADLE (L)	1	(PC150-3/5)
4	SPACER	2	
5	SOCKET BOLT	4	
6	FIX PLATE	2	
7	CAM ROCKER	1	
8	PISTON SHOE	9	
9	SET PLATE	1	
10	CYLINDER BLOCK	1	
11	COIL SPRING	1	
12	WASHER	2	
13	SNAP RING	1	
14	VALVE PLATE (L/R)	1	
15	THRUST BEARING	2	