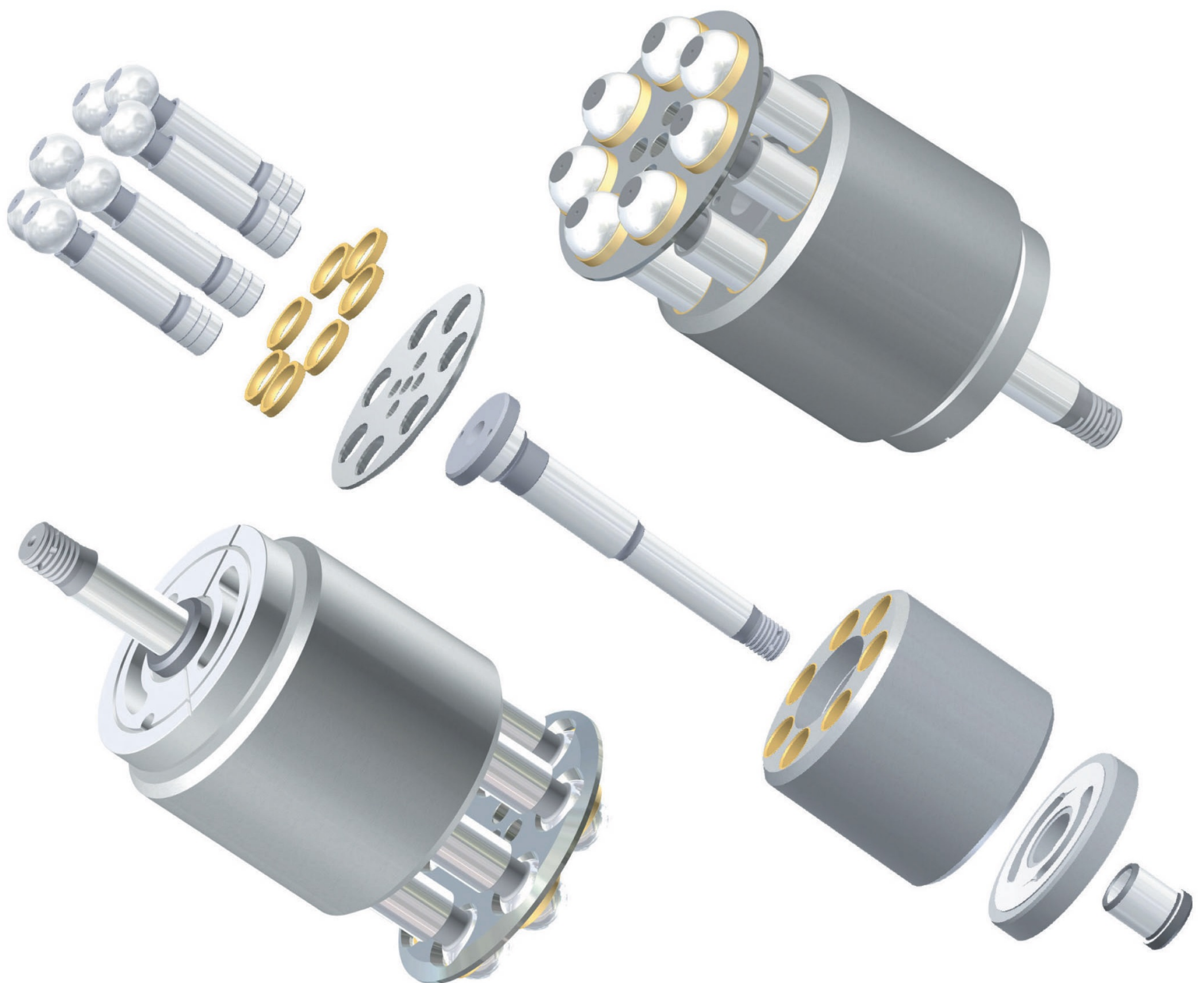
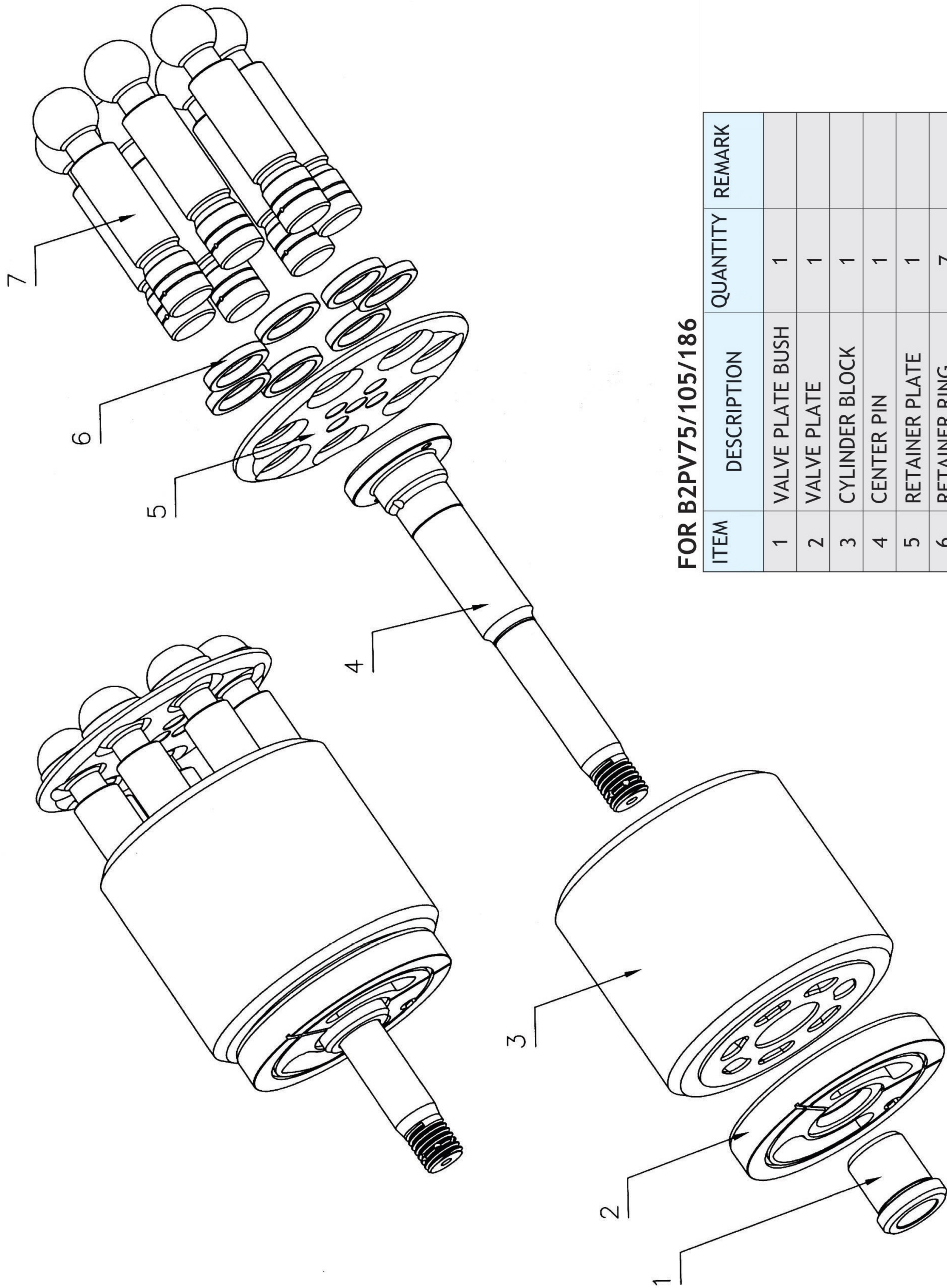


B2PV SERIES



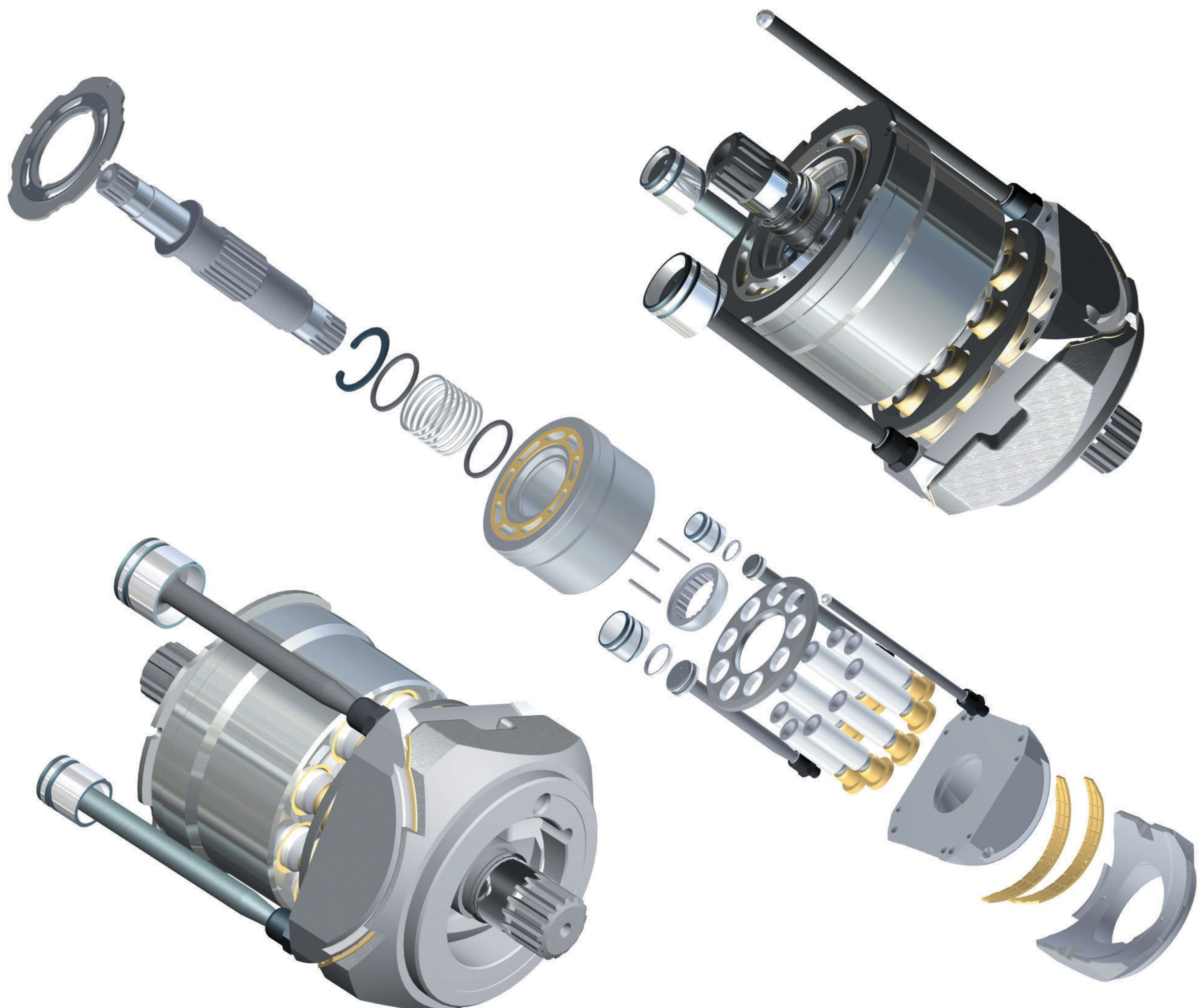
B2PV



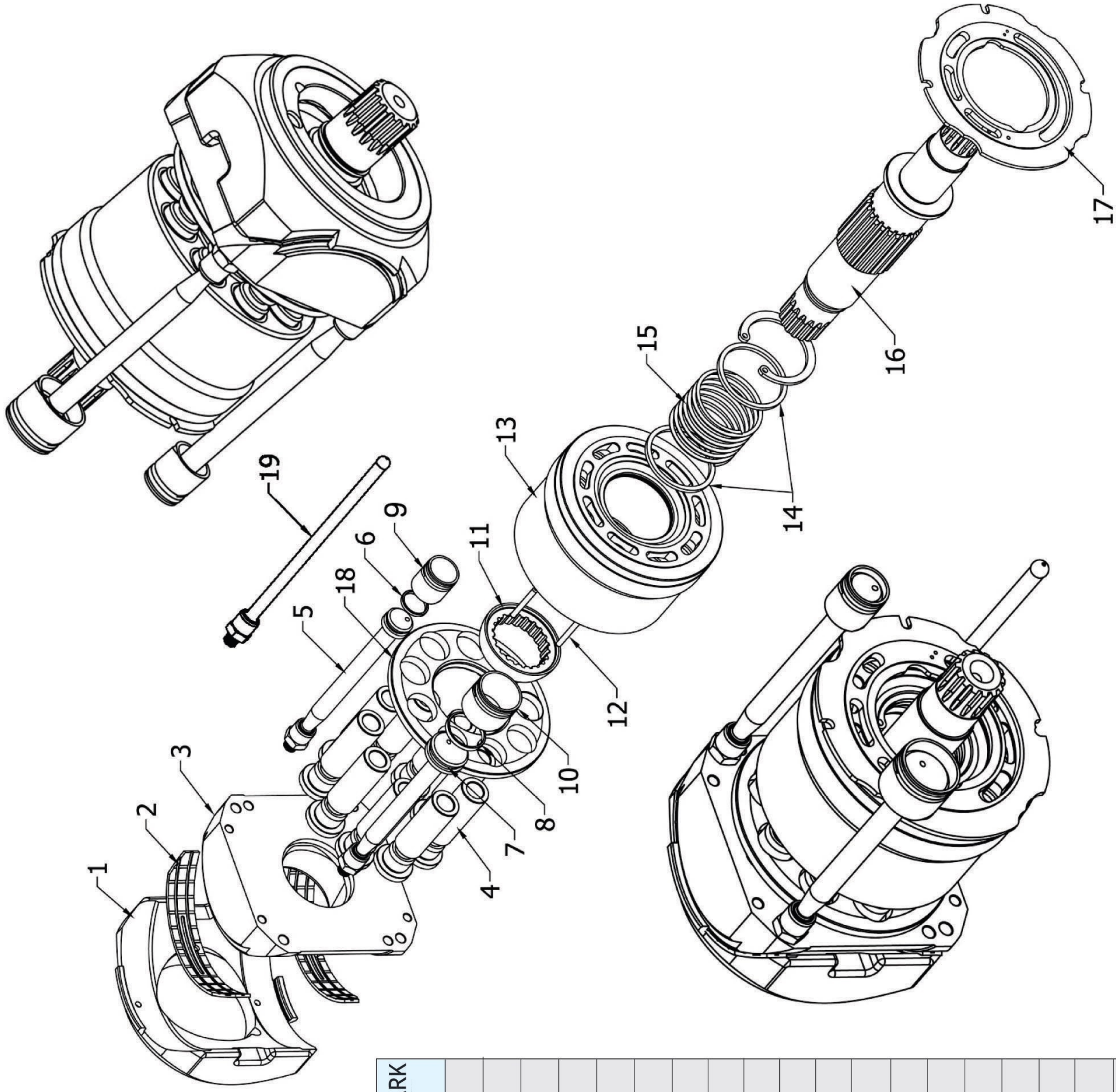
FOR B2PV75/105/186

ITEM	DESCRIPTION	QUANTITY	REMARK
1	VALVE PLATE BUSH	1	
2	VALVE PLATE	1	
3	CYLINDER BLOCK	1	
4	CENTER PIN	1	
5	RETAINER PLATE	1	
6	RETAINER RING	7	
7	PISTON	7	

HPR90/100



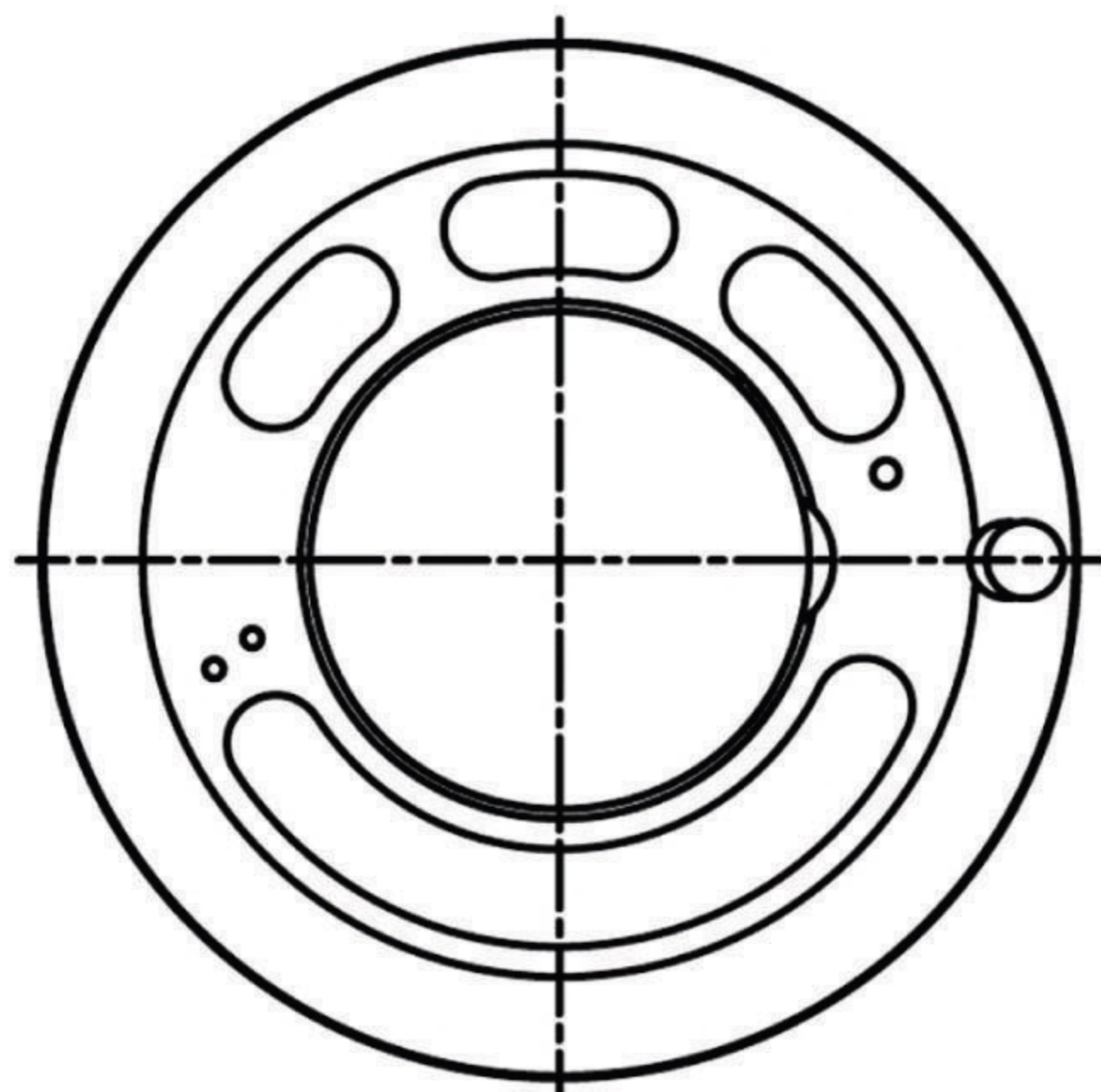
HPR90/100



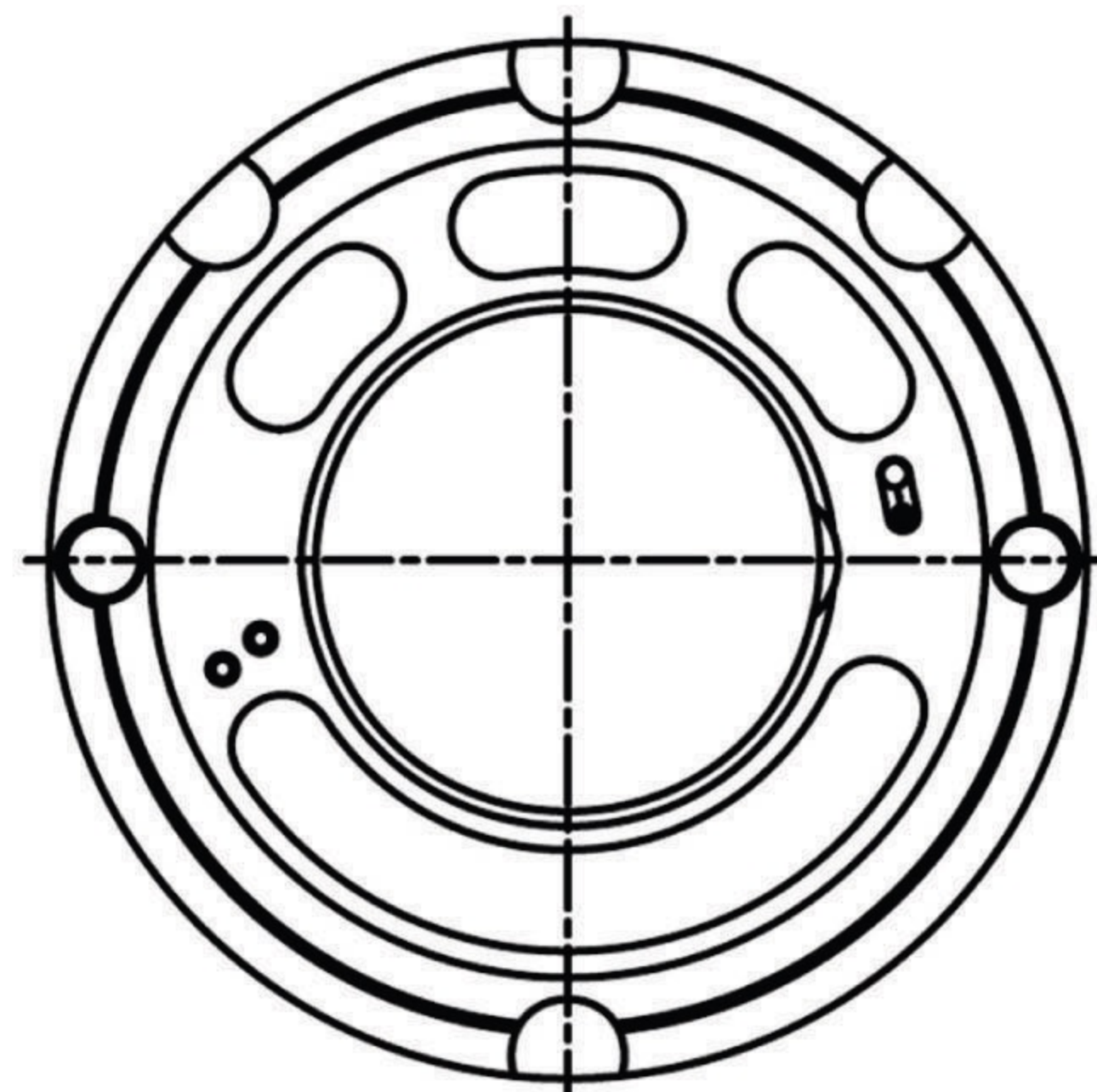
HPR90/100

ITEM	DESCRIPTION	QUANTITY	REMARK
1	SUPPORT(L/R)	1	
2	SLIDING BEARING(L&R)	2	
3	SWASH PLATE	1	
4	PISTON SHOE	9	
5	SERVO PISTON(SMALL)	1	
6	RING(SMALL)	1	
7	SERVO PISTON(BIG)	1	
8	RING(BIG)	1	
9	BUSHING(SMALL)	1	
10	BUSHING(BIG)	1	
11	BALL GUIDE	1	
12	PIN	3	
13	CYLINDER BLOCK	1	
14	SPACER	2	
15	COIL SPRING	1	
16	DRIVE SHAFT	1	
17	VALVE PLATE(L/R)	2	
18	SET PLATE	1	
19	PUSH ROD	1	

HPR130/160



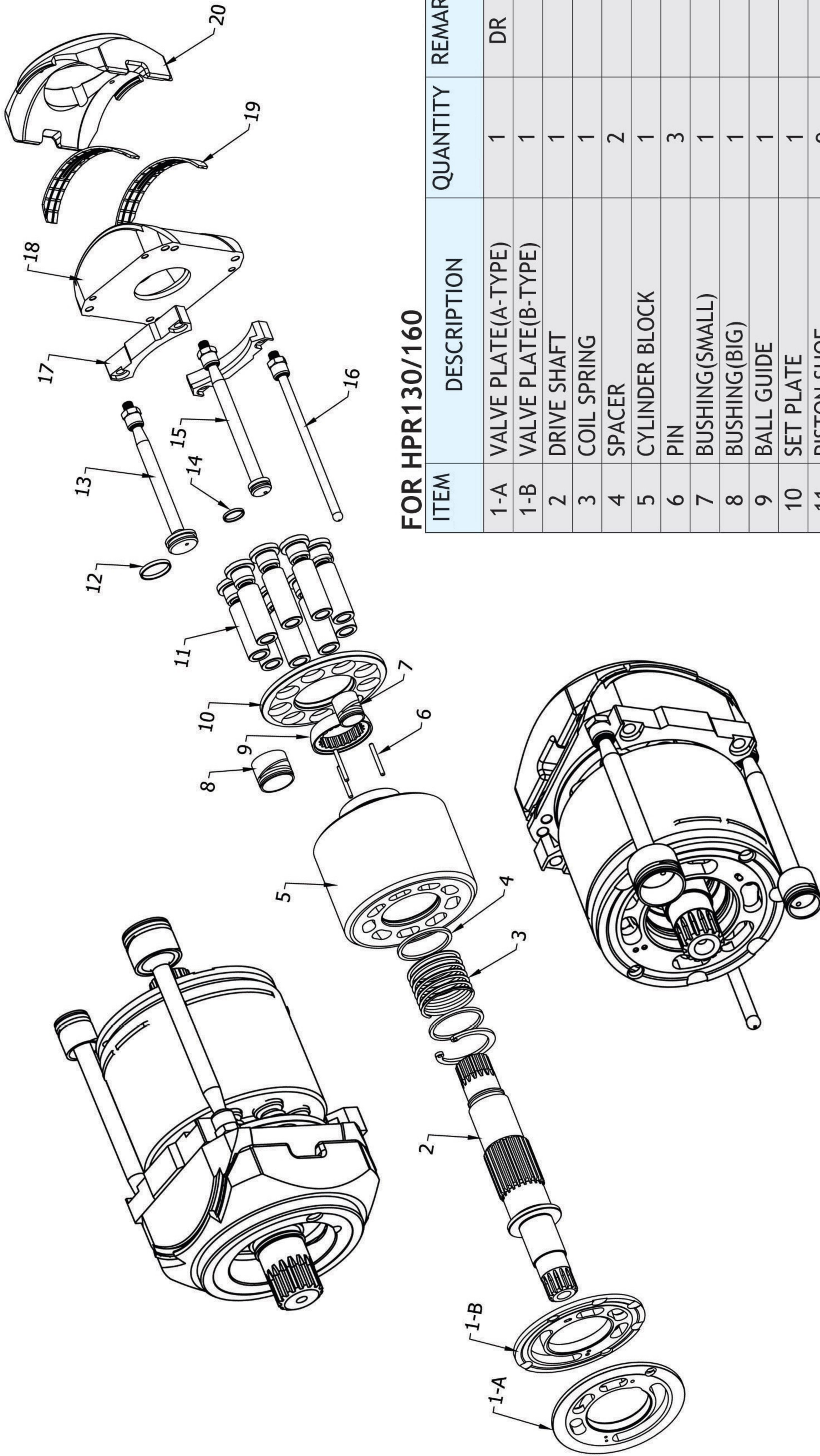
A-TYPE(DR)



B-TYPE

IT IS DIFFERENT ON THE SHAPE THE BACK FACE

HPR130/160



FOR HPR130/160

ITEM	DESCRIPTION	QUANTITY	REMARK
1-A	VALVE PLATE(A-TYPE)	1	DR
1-B	VALVE PLATE(B-TYPE)	1	
2	DRIVE SHAFT	1	
3	COIL SPRING	1	
4	SPACER	2	
5	CYLINDER BLOCK	1	
6	PIN	3	
7	BUSHING(SMALL)	1	
8	BUSHING(BIG)	1	
9	BALL GUIDE	1	
10	SET PLATE	1	
11	PISTON SHOE	9	
12	RING(BIG)	1	
13	SERVO PISTON(BIG)	1	
14	RING(SMALL)	1	
15	SERVO PISTON(SMALL)	1	
16	PUSH ROD	1	
17	FIX PLATE	2	
18	SWASH PLATE	1	
19	SLIDING BEARING(L&R)	2	
20	SUPPORT(L/R)	1	