



RANGE OF PRODUCTS OVERVIEW

Detailed release

FLUID POWER COMPONENTS

COMPANY
WITH QUALITY SYSTEM
CERTIFIED BY DNV
=ISO 9001/2000=





pag 1 DIRECTIONAL CONTROL VALVES MONOBLOCK TYPE

pag 3 DIRECTIONAL CONTROL VALVES SECTIONAL TYPE

pag 5 DIRECTIONAL CONTROL VALVES ESPECIALLY DESIGNED FOR OEMS

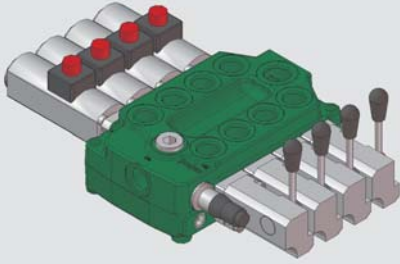
pag 6 PRESSURE COMPENSATED LOAD SENSING VALVE

pag 7 GEAR PUMPS AND MOTORS

pag 12 FAN MOTORS - ROTARY FLOW DIVIDERS - ACCESSORIES

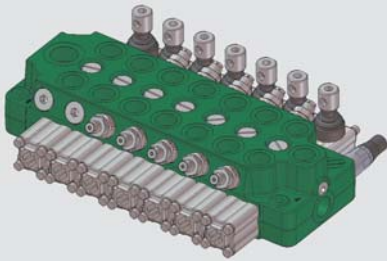
MONOBLOCK TYPE

VDM6



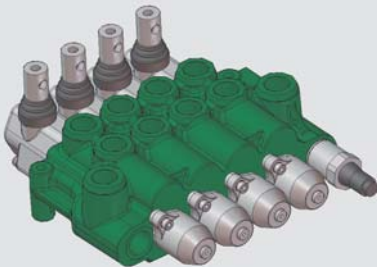
- cast-iron monoblock construction.
- parallel circuit, load check valve protection on down-stream of the pressure "P" line.
- tandem circuit, only the first working section, l.c.v. protection + l.c.v. protection on down-stream of the "P" line.
- possibility of power beyond.
- spool construction in steel, hardened and nichel-plated to obtain a higher surface hardness and a better corrosion resistance.
- several types of spool: double, single acting, spool motor, float position, regenerative position etc.
- available spool with overcenter valve built-in, available spool with hydraulic kick-out built-in.
- minimum tolerance between the spools and the body to obtain a minimum internal leakage.
- interchangeability of all the spools.
- several spool control devices and spool positioning devices.

VDM6A



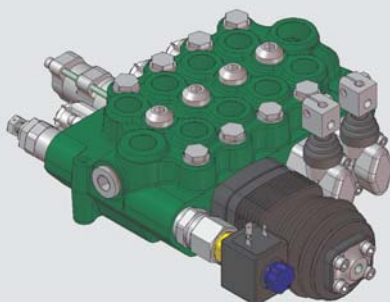
- cast-iron monoblock construction.
- parallel circuit, load check valve protection on each section.
- possibility of power beyond configuration.
- spool construction in steel, hardened and chromium-plated to obtain a higher surface hardness and a better corrosion resistance.
- several types of spool: double, single acting, spool motor, float position, regenerative position etc.
- available spool with overcenter valve built-in, available spool with hydraulic kick-out built-in.
- minimum tolerance between the spools and the body to obtain a minimum internal leakage.
- interchangeability of all the spools.
- possibility of auxiliary valve either on port A or B or on both.
- several spool control devices and spool positioning devices.

VDM09



- cast-iron monoblock construction.
- parallel circuit, load check valve protection on down-stream of the pressure "P" line.
- possibility of power beyond.
- spool construction in steel, hardened and nichel-plated to obtain a higher surface hardness and a better corrosion resistance.
- types of spool: double, single acting, spool motor, float position, regenerative position etc.
- available spool with overcenter valve built-in, available spool with hydraulic kick-out built-in.
- minimum tolerance between the spools and the body to obtain a minimum internal leakage.
- several spool control devices and spool positioning devices.

VDM8



- cast-iron monoblock construction.
- parallel circuit, load check valve protection on each section.
- possibility of power beyond configuration.
- spool construction in steel, hardened and chromium-plated to obtain a higher surface hardness and a better corrosion resistance.
- several types of spool: double, single acting, spool motor, float position, regenerative position etc.
- available spool with overcenter valve built-in, available spool with hydraulic kick-out built-in.
- minimum tolerance between the spools and the body to obtain a minimum internal leakage.
- interchangeability of all the spools.
- possibility of auxiliary valve either on port A or B or on both.
- several spool control devices and spool positioning devices.

Main characteristics

TYPE	NOMINAL FLOW (l/min - US gpm)	OPERATING PRESSURE (bar - psi)	NR.OF SECTION	CIRCUIT*	SECTION DISTANCE (mm - in)	STANDARD THREADS (referred to ports)			
						BSP (ISO 228/1)	UN-UNF (ISO 11926-1)	METRIC (ISO 262)	METRIC (ISO 6149-1)
VDM6	45 - 12	315 - 4600	1 ÷ 7	P/T ⁽¹⁾	32 - 1,26	G3/8	SAE 8	M18x1.5	M18x1.5
VDM6A	45 - 12	370 - 5400	1 ÷ 7	P	36 - 1,42	G3/8 ⁽²⁾	SAE 8	M18x1.5	M18x1.5
VDM09	75 - 20	280 - 4000	1 ÷ 6	P	38 - 1,50	G1/2	SAE 10	M22x1.5	M22x1.5
VDM8	75 - 20	315 - 4600	1 ÷ 7 ⁽³⁾	P	40 - 1,57	G1/2	SAE 10	M22x1.5	M22x1.5

(*) P=parallel / S=series / T=tandem

(1) Tandem circuit available only on the first working section of the 4, 5 and 6 working sections monoblocks.

(2) G1/2 ports also available, for other size ports please get in touch with our sales dept.

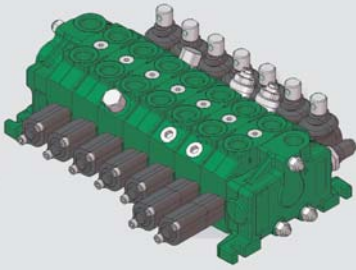
(3) 6 and 7 working sections monoblocks are still work in progress.

Configuration

	VDM6	VDM6A	VDM09	VDM8
CONTROLS				
Mechanical	•	•	•	•
Hydraulic	•	•	•	•
Pneumatic	•	•	•	•
Direct electric	•	•		•
Electro-hydraulic		•		•
Electro-pneumatic	•	•	•	•
AUXILIARY VALVES				
On ports		•		•
Unloader valve	•	•		•

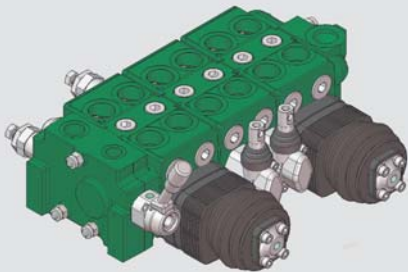
SECTIONAL TYPE

VD6A



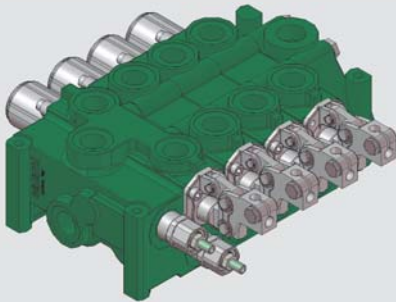
- cast-iron made (inlet section, working section, outlet section).
- parallel circuit, load check valve protection on each section.
- series circuit, load check valve protection on each section (possibility of 2nd load check valve on series line)
- tandem circuit, load check valve protection on each section.
- inlet with adjustable pressure compensated priority flow valve built-in available.
- possibility of power beyond configuration and possibility of closed center.
- spool construction in steel, hardened and nichel-plated to obtain a higher surface hardness and a better corrosion resistance.
- several types of spool: double, single acting, spool motor, float position, regenerative position etc.
- available spool with overcenter valve built-in, available spool with hydraulic kick-out built-in.
- minimum tolerance between the spools and the body to obtain a minimum internal leakage.
- interchangeability of all the spools.
- several spool positioning devices.

VD8A



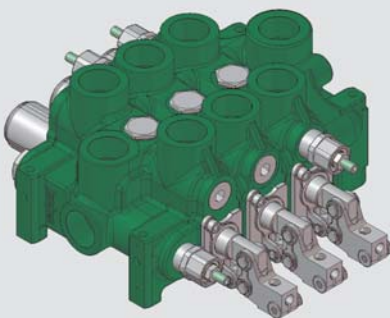
- cast-iron made (inlet section, working section, outlet section).
- parallel circuit, load check valve protection on each section.
- series circuit, load check valve protection on each section (possibility of 2nd load check valve on series line)
- tandem circuit, load check valve protection on each section.
- working section with pressure compensated priority flow valve built-in available.
- possibility of power beyond configuration and possibility of closed center.
- spool construction in steel, hardened and nichel-plated to obtain a higher surface hardness and a better corrosion resistance.
- several types of spool: double, single acting, spool motor, float position, regenerative position etc.
- available spool with overcenter valve built-in, available spool with hydraulic kick-out built-in.
- minimum tolerance between the spools and the body to obtain a minimum internal leakage.
- interchangeability of all the spools.
- several spool positioning devices.

VD10A



- cast-iron made (inlet plus working module, single working module, outlet module).
- parallel circuit, load check valve protection on each section.
- series circuit, load check valve protection on each section. (series line realized inside of the spool with dedicated lcv.)
- tandem circuit, load check valve protection on each section.
- possibility of power beyond configuration.
- spool construction in steel, nickel plated to obtain a higher surface hardness and a better corrosion resistance.
- several types of spool: double, single acting, spool motor, float position etc.
- available spool with hydraulic kick-out built-in.
- minimum tolerance between the spools and the body to obtain a minimum internal leakage.
- interchangeability of all the spools.
- several spool positioning devices.

VD12A



- cast-iron made (inlet module or inlet plus working module, single working module, outlet module).
- parallel circuit, load check valve protection on each section.
- series circuit, load check valve protection on each section. (series line realized inside of the spool with dedicated lcv.)
- tandem circuit, load check valve protection on each section.
- possibility of power beyond configuration.
- spool construction in steel, nickel plated to obtain a higher surface hardness and a better corrosion resistance.
- several types of spool: double, single acting, spool motor, float position etc.
- available spool with overcenter valve built-in, available spool with hydraulic kick-out built-in.
- minimum tolerance between the spools and the body to obtain a minimum internal leakage.
- interchangeability of all the spools.
- several spool positioning devices.

Main characteristics

TYPE	NOMINAL FLOW (l/min - US gpm)	OPERATING PRESSURE (bar - psi)	NR. OF SECTIONS	CIRCUIT*	SECTION DISTANCE (mm - in)	STANDARD THREADS (referred to ports)			
						BSP (ISO 228/1)	UN-UNF (ISO 11926-1)	METRIC (ISO 262)	METRIC (ISO 6149-1)
VD6A	45 - 12	315 - 4600	1 ÷ 8 ⁽¹⁾	P/S/T	35.5 - 1.40	G3/8	SAE 8	M18x1.5	M18x1.5
VD8A	75 - 20	315 - 4600	1 ÷ 8 ⁽¹⁾	P/S/T	40 - 1.57	G1/2 G3/4 ⁽²⁾	SAE 10	M22x1.5	M22x1.5
VD10A	115 - 32	280 - 4000	1 ÷ 8 ⁽¹⁾	P/S/T	46 - 1.81	G3/4	SAE 12		
VD12A	170 - 45	280 - 4000	1 ÷ 8 ⁽¹⁾	P/S/T	52 - 2.05	G1	SAE 16		

(*) P=parallel / S=series / T=tandem

(1) For more working sections, please contact our sales department.

(2) These threads are available only on body without auxiliary valve seat.

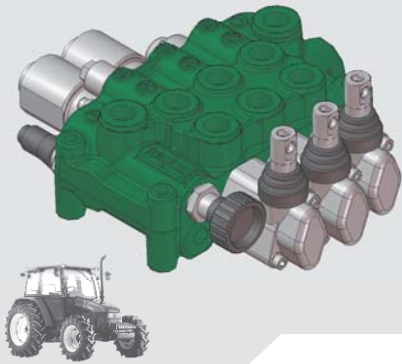
Configuration

	VD6A	VD8A	VD10A	VD12A
Controls				
Mechanical	•	•	•	•
Hydraulic	•	•	•	•
Pneumatic	•	•	•	•
Direct electric	•	•		
Electro-hydraulic	•	•	•	•
Electro-pneumatic	•	•	•	•
Auxiliary valves				
On ports	•	•	•	•
Unloader valve	•	•	•	•
Intermediate sections				
Mid return manifold	•	•	•	•
With secondary inlet	•	•	•	•
With service relief valve	•	•	•	•
With flow control	•	•		
With priority flow valve			•	•

DIRECTIONAL CONTROL VALVES

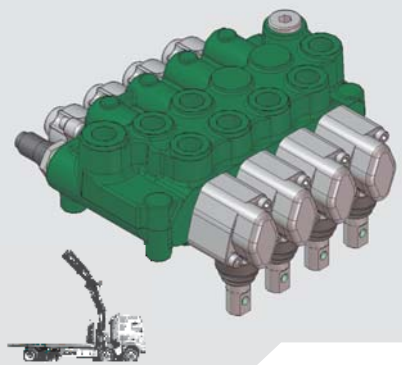
especially designed for OEMS

VDM071/VDM091/VD6A



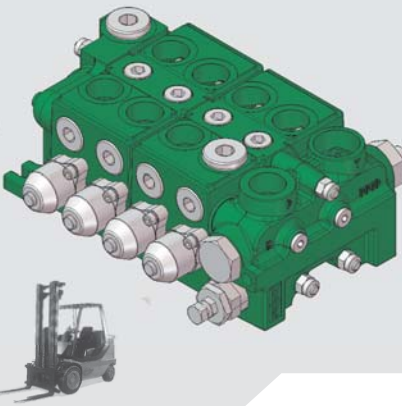
- especially designed for tractor.
- cast-iron monoblock construction available with 3 and/or 4 spools.
- tandem circuit first working section with load check valve protection on down-stream of the "P" line and priority flow valve to adjust the flow required(only on the 4 sections monoblock).
- parallel circuit, load check valve protection on down-stream of the pressure "P" line.
- possibility of power beyond.
- spool construction in steel, hardened and nichel-plated to obtain a higher surface hardness and a better corrosion resistance.
- several types of spool: double, single acting, spool motor, float position.
- available spool with hydraulic kick-out built-in.
- minimum tolerance between the spools and the body to obtain a minimum internal leakage.
- possibility of auxiliary valve only on B port, included valve to shift from double acting to single acting spool.
- load check valve mechanical operated on A port available.
- several spool control devices and spool positioning devices.

VDM07



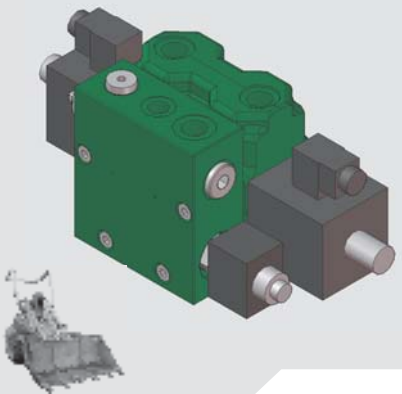
- especially designed for truck crane stabilizers.
- cast-iron monoblock construction.
- parallel circuit, load check valve protection on down-stream of the pressure "P" line.
- possibility of power beyond.
- spool construction in steel, hardened and nichel-plated to obtain a higher surface hardness and a better corrosion resistance.
- types of spool: double, single acting, spool motor, float position, regenerative position etc.
- available spool with overcenter valve built-in, available spool with hydraulic kick-out built-in.
- minimum tolerance between the spools and the body to obtain a minimum internal leakage.
- possibility of auxiliary valve on B port or relief valve on neutral line that can unload both the ports.
- several spool control devices and spool positioning devices.

VD8A



- especially designed for Diesel engine fork-lift truck
- cast-iron made, inlet module with priority flow valve adjustable by a pressure signal.
- priority flow available to supply a power steering unit.
- two double working modules.
- load check valve protection on down-stream of the pressure "P" line, on every sections.
- overcenter valve built-in to the spool to control the tilt function.
- spool construction in steel, hardened and nichel-plated to obtain a higher surface hardness and a better corrosion resistance.
- double and single acting spool circuit.
- minimum tolerance between the spools and the body to obtain a minimum internal leakage.
- possibility of auxiliary valve only on B port.
- several spool control devices and spool positioning devices.

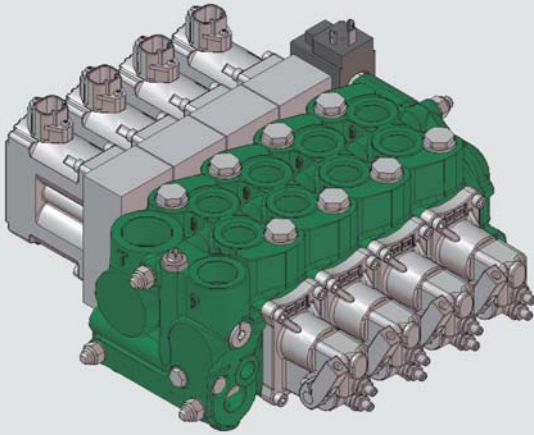
VD4E100



- especially designed for multiutility vehicles.
- 4/3 Directional Control Valve
- 5-chambers model with good spool guidance
- Parallel connection (adding more working sections)
- Cast-iron body (inlet/outlet and working sections)
- Inlet port with Venting Valve
- Main Relief Valve (direct operated or pilot operated)
- Check valve on inlet port (optional)
- Auxiliary inlet port (P2) for second pump with combining flows (optional)
- Direct operation with wet pin solenoid
- Coils can be changed without having to open the pressure-tight chamber
- Manual override, optional
- Open Center and Closed Center spool types

LOAD SENSING VALVE

VDP08



- load sensing directional control valve.
- made on cast-iron(inlet section, working section, end section).
- available with inlet module for fixed or variable displacement pump.
- inlet module with pressure compensator built-in.
- working modules with pressure compensator built-in.
- possibility of venting valve.
- spool construction in steel, hardened and chromium-plated to obtain a higher surface hardness and a better corrosion resistance.
- several types of spool: double, single acting, spool motor, float position etc.
- minimum tolerance between the spools and the body to obtain a minimum internal leakage.
- interchangeability of all the spools.
- possibility of auxiliary valve either on port A or B or on both.
- possibility of pressure relief valve on the LS line coming from the ports.
- handle control also with friction to lock the spool in every intermediate position.
- pneumatic proportional control available.
- hydraulic proportional control available.
- closed loop electronic-hydraulic control available(picture beside).
- on-off electro-hydraulic control available 12 or 24 Vdc.

Main characteristics

TYPE	NOMINAL FLOW		OPERATING PRESSURE (bar - psi)	NR. OF SECTION	CIRCUIT*	SECTION DISTANCE (mm - in)	STANDARD THREADS (referred to ports)	
	on inlet (l/min - US gpm)	on ports (l/min - US gpm)					BSP (ISO 228/1)	UN-UNF (ISO 11926-1)
VDP08	130 - 34	95* - 25*	315 - 4600	1 + 8	FDC / VDC	48 - 1,89	G1/2	SAE 10

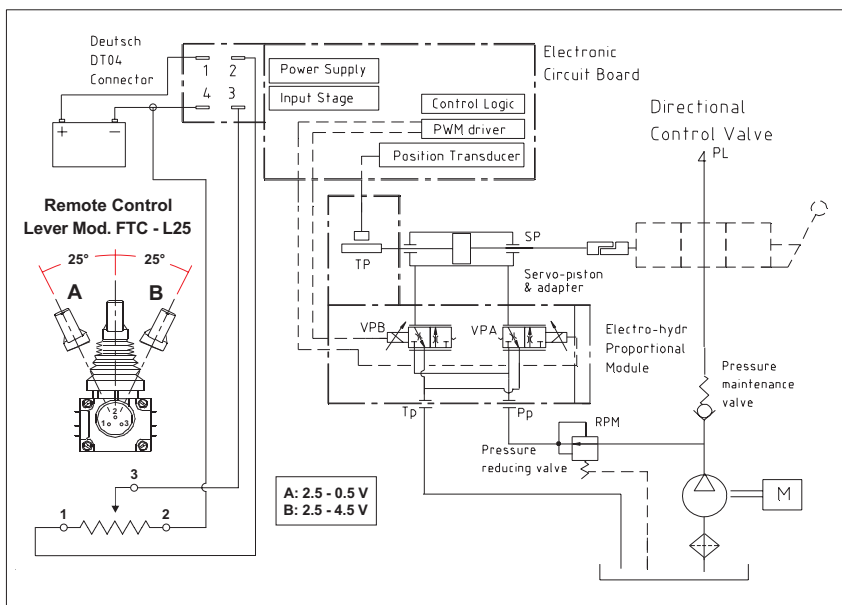
(*) with compensator

(**) FDC = fixed displacement circuit / VDC = variable displacement circuit

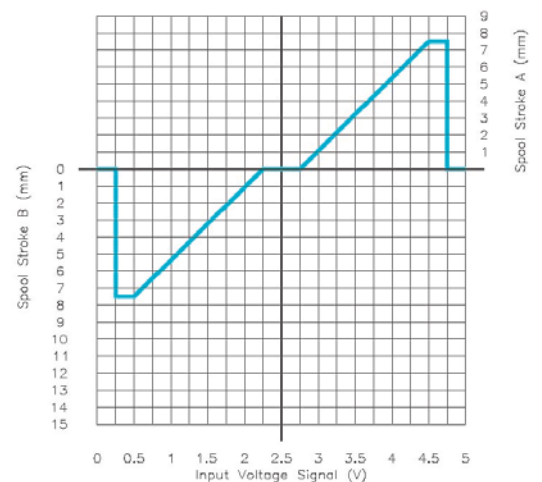
To complete our supplying we are also able to offer different types of electronic joysticks, with "Hall effect" principle of functioning too.



Closed loop Proportional Actuators with built-in Analog Electronic Block Diagram

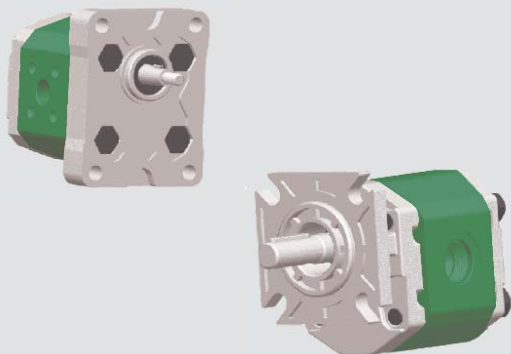


Closed loop Proportional Actuator Control Characteristic (VDP08 valve)



GEAR PUMPS AND MOTORS

1PE - 1.6PE

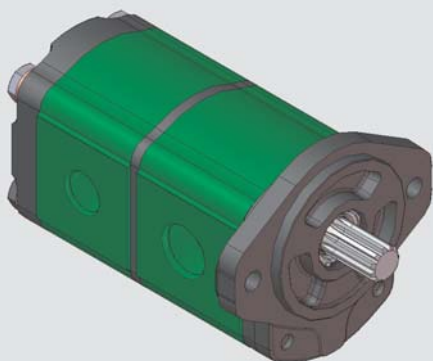


- Gear pumps and motors made with aluminium alloy body, flanges and rear covers
- High volumetric efficiency by innovative design and accurate control of machining tolerances.
- Axial compensation is achieved by using floating bushes that allow high volumetric efficiency throughout the pressure range.
- DU bearings ensure high pressure capability.
- Nitrile seals as standard and viton seals in high temperature range.
- Available with flanges, shafts and ports for the main European, German and SAE standards.
- Assembling on multiple stage pump available.
- All pumps and motors are tested after assembly and run-in to ensure the high standard required by Salami engineers.

TYPE		0.9*	1.1*	1.6*	2.1	2.6	3.1	3.6	4.2	4.9	5.8	7.5
Displacement	cm ³ /rev cu.in./rev	0.91 0.055	1.1 0.067	1.5 0.091	2.1 0.128	2.6 0.158	3.1 0.189	3.6 0.219	4.2 0.256	4.9 0.299	5.8 0.354	7.5 0.457
Working pressure	p1 bar psi	240 3480	250 3600								220 3190	
Intermittent pressure	p2 bar psi	560 3770	270 3900			280 4060					240 3480	
Peak pressure	p3 bar psi	280 4060	290 4200			300 4300					260 3770	
Max speed	rpm	6000									5000	
Min speed	rpm	700									700	

* Displacements 0.9 - 1.1 - 1.6 are not available as motors

2PE



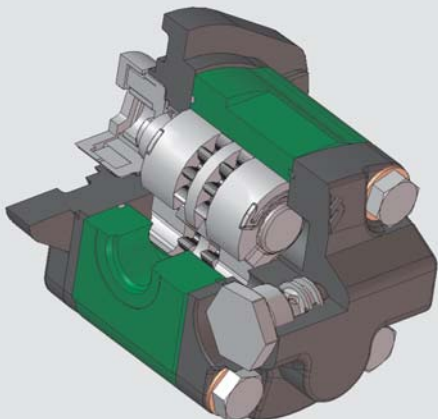
- Gear pumps and motors made with aluminium alloy body and cast iron flanges and rear covers.
- High volumetric efficiency by innovative design and accurate control of machining tolerances.
- Axial compensation is achieved by using floating bushes that allow high volumetric efficiency throughout the pressure range.
- DU bearings ensure high pressure capability.
- 12 teeth integral one-piece gear and shaft.
- Double shaft seals.
- Nitrile seals as standard and viton seals in high temperature range.
- Available with flanges, shafts and ports for the main European, German and SAE standards.
- Outtrigger bearing available.
- Available with several rear covers with valves built-in.
- Assembling on multiple stage pump available on both 2PB and 2PE types.
- Extremely compact design on the multiple assembling pump for the 2PE type.
- All pumps and motors are tested after assembly and run-in to ensure the high standard required by Salami engineers.

TYPE		3.2*	4.5	6.2	8.3	11.3	13.8	16	19	22.5	26	
Displacement	cm ³ /rev cu.in./rev	3.2 0.19	4.6 0.27	6.5 0.40	8.2 0.50	11.5 0.68	13.8 0.84	16.6 1.01	19.4 1.15	22.9 1.37	25.8 1.58	
Working pressure	p1 bar psi	250 3600						220 3140	200 2900	180 2600		
Intermittent pressure	p2 bar psi	280 4000						240 3450	220 3140	200 2900		
Peak pressure	p3 bar psi	300 4300						260 3750	240 3450	220 3140		
Max speed	rpm	4000			3500			3000		2750	2500	
Min speed	rpm	600			500			400		400	300	

* Available only as rear pump

GEAR PUMPS AND MOTORS

2PZ



- Gear pumps made with aluminium alloy body and cast iron flanges and rear cov
- **12 teeth double gear staggered assembling construction, to double the flow pulsations in order to reduce the instantaneous flow amplitude, that is the noise level generator.**
- **Noise level reduction up to 2.5dB(A) at low pressure and up to 3.5dB(A) at high pressure.**
- High volumetric efficiency by innovative design and accurate control of machining tolerances.
- Axial compensation is achieved by using floating bushes that allow high volumetric efficiency throughtout the pressure range.
- DU bearings ensure high pressure capability.
- Double shaft seals.
- Nitrile seals as standard and viton seals in high temperature range.
- Available with flanges, shafts and ports for the main European, German and SAE standards.
- Outtrigger bearing available.
- Available with several rear covers with valves built-in.
- Assembling on multiple stage pump available. .
- All pumps and motors are tested after assembly and run-in to ensure the high standard required by Salami engineers.

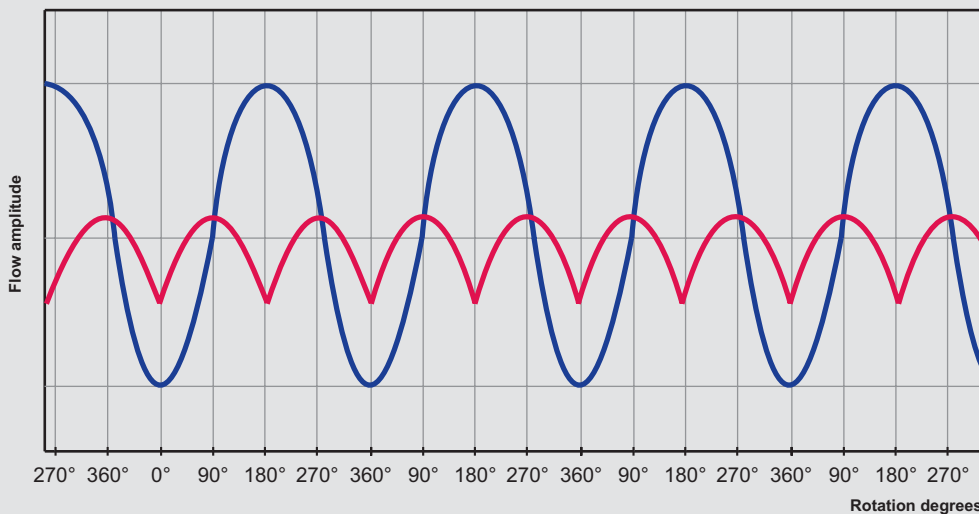
SALAMI STANDARD CONSTRUCTION



DOUBLE GEAR CONSTRUCTION



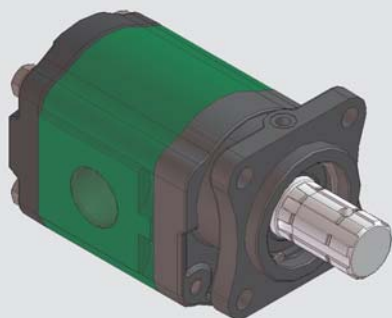
COMPARISON DIAGRAM OF FLOW AMPLITUDE



TYPE		5	8	11	14	16	19	22,5*
Displacement	cm ³ /rev cu.in./rev	5 0.30	8 0.49	10.9 0.66	13.9 0.85	16 0.98	19 1.16	22.5 1.37
Working pressure p1	bar psi	220 3140				210 3000	190 2700	180 2600
Intermittent pressure p2	bar psi	250 3600				230 3300	210 3000	200 2900
Peak pressure p3	bar psi	275 3950				250 3600	230 3300	220 3140
Max speed	rpm	4000		3500		3000		2750
Min speed	rpm	600		500		400		

GEAR PUMPS AND MOTORS

2,5PB

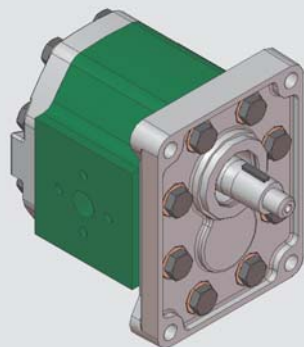


- Gear pumps and motors made with aluminium alloy body and flanges, cast iron rear covers.
- High volumetric efficiency by innovative design and accurate control of machining tolerances.
- Axial compensation is achieved by using floating bushes that allow high volumetric efficiency throughout the pressure range.
- DU bearings ensure high pressure capability.
- 12 teeth integral one-piece gear and shaft.
- Double shaft seals.
- Nitrile seals as standard and viton seals in high temperature range.
- Available with flanges, shafts and ports for the main European, German and SAE standards.
- Available with several rear covers with valves built-in.
- Extremely compact design on the multiple assembling pump 2.5PB/2.5PB.
- Assembling on multiple stage pump also available in combination with 2PE or 1.5PB types.
- All pumps and motors are tested after assembly and run-in to ensure the high standard required by Salami engineers.

TYPE		5.5*	8.3	11.5	13.8	16	19	22	25	28	32	38	44
Displacement	cm ³ /rev. cu.in./rev.	5.97 0.36	8.29 0.50	11,76 0.72	14.07 0.86	16 0.97	19.3 1.17	22.2 1.35	25.2 1.53	27.6 1.68	32.4 1.97	38.1 2.32	44.2 2.69
Working pressure	p1 bar psi	250 3600						230 3300			200 2900	170 2465	
Intermittent pressure	p2 bar psi	280 4000						250 3600			220 3140	190 2700	
Peak pressure	p3 bar psi	300 4300						260 3750			240 3450	210 3000	
Max speed		3000										2750	2500
Min speed	rpm	600				500					400		

* Available only as rear pump

3PB



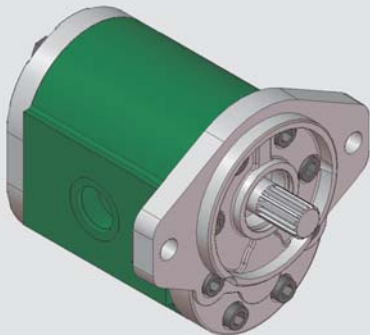
- Gear pumps and motors made with aluminium alloy body, flanges and rear covers.
- High volumetric efficiency by innovative design and accurate control of machining tolerances.
- Axial compensation is achieved by using floating bushes that allow high volumetric efficiency throughout the pressure range.
- DU bearings ensure high pressure capability.
- 12 teeth integral one-piece gear and shaft.
- Double shaft seals.
- Nitrile seals as standard and Viton seals in high temperature range.
- Available with flanges, shafts and ports for the main European, German and SAE standards.
- Outrigger bearing available.
- Available with several rear covers with valves built-in.
- Assembling on multiple stage pump 3PB/3PB available.
- Assembling on multiple stage pump also available in combination with 2PE or 2PB types.
- All pumps and motors are tested after assembly and run-in to ensure the high standard required by Salami engineers.

TYPE		21*	27	33	38	46	55	65	75*
Displacement	cm ³ /rev. cu.in./rev	20.6 1.26	27 1.65	33.5 2.04	38.7 2.36	46.9 2.86	54.1 3.30	63.1 3.85	73.4 4.48
Working pressure	p1 bar psi	250 3600				245 3500	220 3190	200 2900	180 2600
Intermittent pressure	p2 bar psi	280 4000				265 3840	240 3480	220 3140	200 2900
Peak pressure	p3 bar psi	300 4300				275 3950	250 3600	240 3450	220 3190
Max speed	rpm	3000				2750	2500		
Min speed	rpm	600		500			400		

*Available for quantity, please contact our sales department.

GEAR PUMPS AND MOTORS

3,5PB

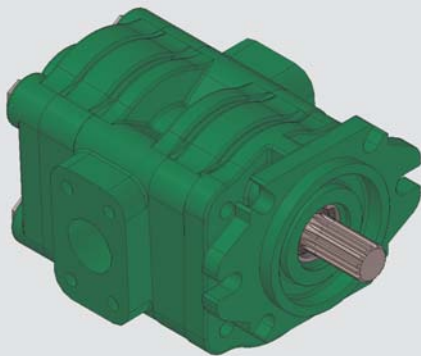


- Gear pumps and motors made with aluminium alloy body, flanges and rear covers.
- High volumetric efficiency by innovative design and accurate control of machining tolerances.
- Axial compensation is achieved by using floating thrust plates that allow high volumetric efficiency throughout the pressure range.
- DU bearings ensure high pressure capability.
- 12 teeth integral one-piece gear and shaft.
- Double shaft seals.
- Nitrile seals as standard and Viton seals in high temperature range.
- Available with flanges, shafts and ports for the main European, German and SAE standards.
- Outtrigger bearing available.
- Assembling on multiple stage pump 3,5PB/3,5PB available.
- Assembling on multiple stage pump also available in combination with 2PE, 2PB or 3PB types.
- All pumps and motors are tested after assembly and run-in to ensure the high standard required by Salami engineers.

TYPE		55	64	75	87	98*
Displacement	cm ³ /rev	54.8	63.2	74.7	88	99
	cu.in./rev	3.34	3.85	4.55	5.36	6.03
Working pressure p1	bar	250		230	210	200
	psi	3600		3300	3000	2900
Intermittent pressure p2	bar	280		250	230	220
	psi	4000		3600	3300	3140
Peak pressure p3	bar	300		280	260	250
	psi	4300		4000	3750	3600
Max speed	rpm	2750		2500	2250	2000
Min speed	rpm	400	350	300		

*Available for quantity, please contact our sales dept.

3HP



- Gear pumps and motors made in spheroidal cast iron.
- High volumetric efficiency by innovative design and accurate control of machining tolerances.
- Axial compensation is achieved by using floating thrust plates that allow high volumetric efficiency throughout the pressure range.
- DU bearings ensure high pressure capability.
- 12 teeth integral one-piece gear and shaft.
- Double shaft seals.
- Nitrile seals as standard and Viton seals in high temperature range.
- Available with flanges and shafts for the SAE standards.
- Displacements from 21 cm³/rev (1.3 cu.in./rev) to 90 cm³/rev (5.4 cu.in./rev).
- Outtrigger bearing available.
- Assembling on double stage pump 3HP/3HP available.
- Assembling on multiple stage pump also available in combination with 2PB or 2.5PB types.
- All pumps and motors are tested after assembly and run-in to ensure the high standard required by Salami engineers.

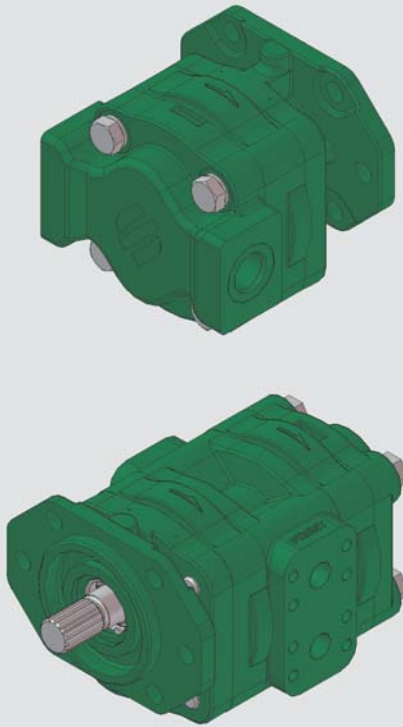
TYPE		21*	32	38	46	55	63	71	80	90*
Displacement	cm ³ /rev	23.5	33.4	39	46	55	63.8	72.9	82	90
	cu.in./rev	1.43	2.04	2.38	2.81	3.36	3.89	4.45	5.00	5.49
Working pressure p1	bar	280			250		230	210	175	160
	psi	4000			3600		3300	3000	2500	2300
Intermittent pressure p2	bar	300			280		250	230	200	180
	psi	4300			4000		3600	3300	2900	2600
Peak pressure p3	bar	325			300		275	250	220	200
	psi	4700			4300		3950	3600	3200	2900
Max speed	rpm	3000				2750		2250	2000	1800
Min speed	rpm	450				350		300		300

*Displacement 21 available only with drive shafts codes 55 - 56

*Available for quantity, please contact our sales department.

GEAR PUMPS AND MOTORS

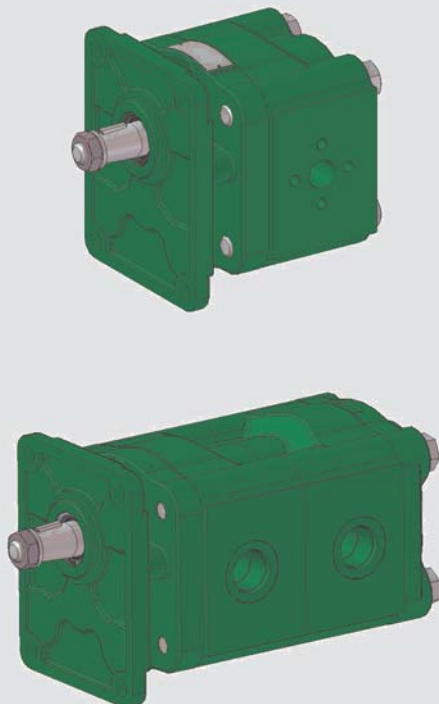
PG301



- Gear pumps and motors made in cast iron.
- Construction in 3 pieces: front flange, body and rear cover.
- High volumetric efficiency by innovative design and accurate control of machining tolerances.
- Axial compensation is achieved by using floating thrust plates that allow high volumetric efficiency throughout the pressure range.
- DU bearings ensure high pressure capability.
- 12 teeth integral one-piece gear and shaft.
- Double shaft seals.
- Nitrile seals as standard and Viton seals in high temperature range.
- Available with flanges and shafts for the SAE standards.
- Displacements from 23 cm³/rev (1.43 cu.in./rev) to 40 cm³/rev (2.46 cu.in./rev).
- Assembling on double stage pump available.
- All pumps and motors are tested after assembly and run-in to ensure the high standard required by Salami engineers.

TYPE		23	28	34	40
Displacement	cm ³ /rev	23.4	28.6	34.4	40.3
	cu.in./rev	1.43	1.74	2.1	2.46
Working pressure p1	bar	280			260
	psi	4000			3800
Intermittent pressure p2	bar	310			290
	psi	4500			4200
Peak pressure p3	bar	340			320
	psi	5000			4600
Max speed	rpm	3000		2850	2700
Min speed	rpm	500		450	450

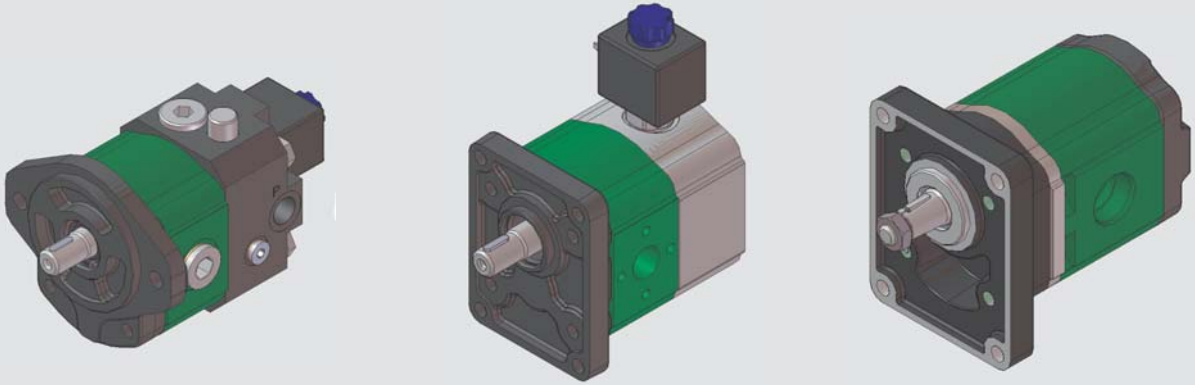
PG330



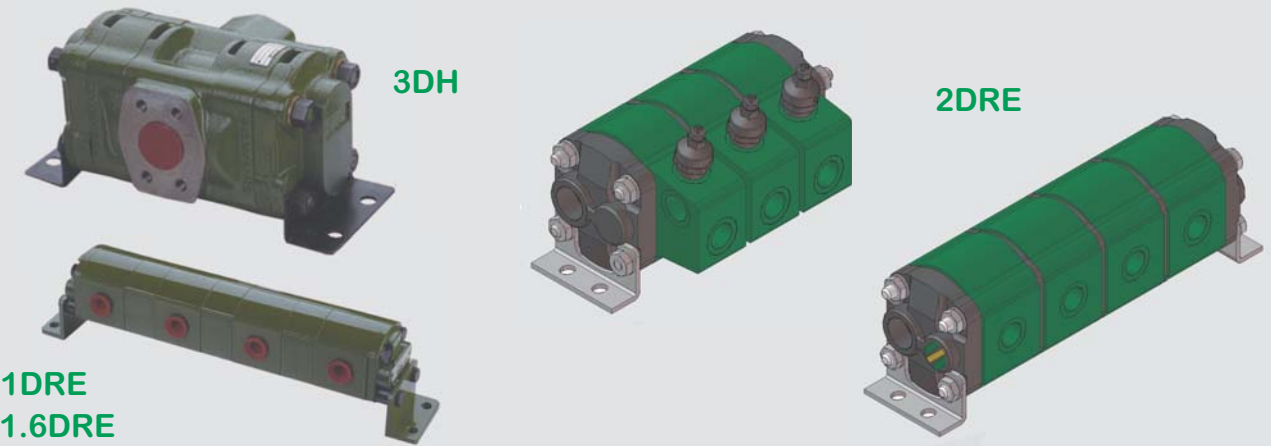
- Gear pumps and motors made in cast iron.
- Construction in 2 pieces: front flange, body and rear cover made in the same piece.
- High volumetric efficiency by innovative design and accurate control of machining tolerances.
- Axial compensation is achieved by using floating thrust plates that allow high volumetric efficiency throughout the pressure range.
- DU bearings ensure high pressure capability.
- 12 teeth integral one-piece gear and shaft.
- Double shaft seals.
- Nitrile seals as standard and Viton seals in high temperature range.
- Available with flanges and shafts for the European and SAE standards.
- Displacements from 23 cm³/rev (1.43 cu.in./rev) to 40 cm³/rev (2.46 cu.in./rev).
- Assembling on double stage pump available.
- All pumps and motors are tested after assembly and run-in to ensure the high standard required by Salami engineers.

TYPE		23	28	34	40
Displacement	cm ³ /rev	23.4	28.6	34.4	40.3
	cu.in./rev	1.43	1.74	2.1	2.46
Working pressure p1	bar	280			260
	psi	4000			3800
Intermittent pressure p2	bar	310			290
	psi	4500			4200
Peak pressure p3	bar	340			320
	psi	5000			4600
Max speed	rpm	3000		2850	2700
Min speed	rpm	500		450	450

FAN DRIVE AND OTHER CUSTOMIZED GEAR MOTORS



ROTARY FLOW DIVIDERS



ACCESSORIES





Factory 19 / 5 Lyn Parade PRESTONS NSW 2170

Ph: (02) 9607 4100 Fax: (02) 9607 4200

PH: (02) 9607 4100 FAX: (02) 9607 4200