



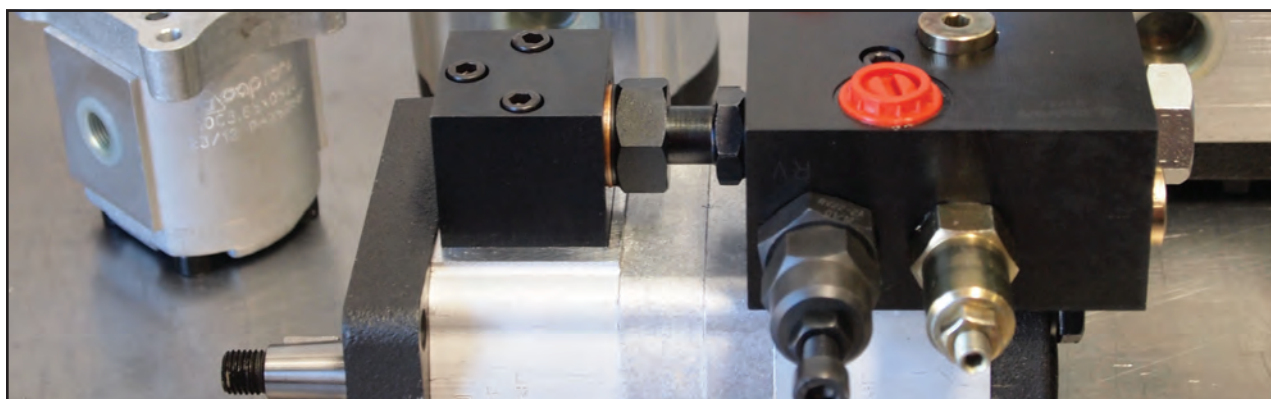
HYDRAULIC GEAR PUMPS & MOTORS



sales@samthydraulics.com.au



www.samthydraulics.com.au



HYDRAULIC GEAR PUMPS & MOTORS

CONTENTS

SINGLE GEAR PUMPS

MULTIPLE GEAR PUMPS

GEAR MOTORS

VANE PUMPS

HAND PUMPS

GEAR PUMP ROTATION

EUROPEAN STANDARD GROUP 00



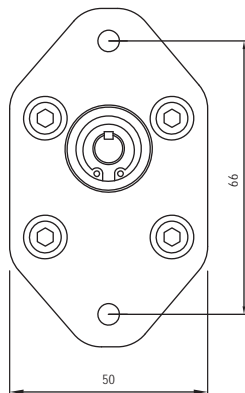
Standard: Shaft M6 Keyed with Lock Nut, **Mount** 2 Bolt 22mm Spigot, R/H Rotation, **Ports** BSPP Threaded

Part Number & Pricing		Specifications					
Part.	List Price	CC/Rev	Ports		Speed Max Cont RPM	Pressure Max Cont Bar	Weight Kg
			Suction	Pressure			
00C0.25X032G	\$ 218	0.25	1/4"	1/4"	3500	200	0.4
00C0.3X032G	\$ 218	0.3	1/4"	1/4"	3500	200	0.4
00C0.5X032G	\$ 218	0.5	1/4"	1/4"	3500	200	0.4
00C0.75X032G	\$ 218	0.75	1/4"	1/4"	3500	200	0.4
00C1X032G	\$ 223	1	1/4"	1/4"	3500	200	0.4
00C1.25X032G	\$ 223	1.25	1/4"	1/4"	3000	200	0.4
00C1.5X032G	\$ 227	1.5	1/4"	1/4"	2500	175	0.4
00C1.75X032G	\$ 227	1.75	1/4"	1/4"	2500	160	0.4
00C2X032G	\$ 227	2	1/4"	1/4"	2000	160	0.4

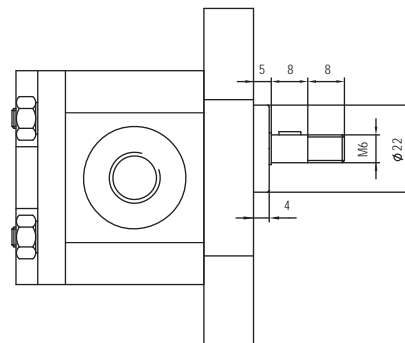
Seal Kits and Options

Part.	List Price	Description
GR00-SK	\$ 30	Seal Kit - Includes all seals for group 00 pumps
GR00-SS	\$ 7	Shaft Seal - Shaft seal only, suitable for group 00 pumps
Rotation	\$ 10	Rotation - Rotation change from standard
Modification	\$ 40	Modification - Special design charges may vary

Front View - 2 Bolt, M6 Keyed
032G Series



Side View - 2 Bolt, M6 Keyed, BSPP
032G Series



EUROPEAN STANDARD GROUP 1



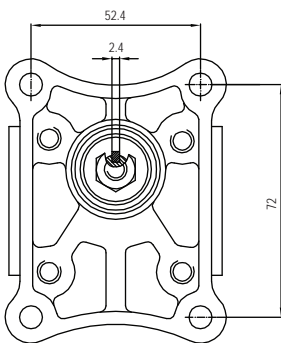
Standard: **Shaft** 1:8 Tapered, **Mount** 4 Bolt 25.4mm Spigot, R/H Rotation, **Ports** BSPP Threaded/Flanged

BSPP Threaded Ports		Flanged Ports		Specifications					
Part.	List Price	Part.	List Price	CC/Rev	Ports		Speed Max Cont RPM	Pressure Max Cont Bar	Weight Kg
					Suction	Pressure			
10C1X053G	\$ 218	10C1X026	\$ 218	1	3/8"	3/8"	3500	250	1
10C1.25X053G	\$ 218	10C1.25X026	\$ 218	1.25	3/8"	3/8"	3500	250	1
10C1.6X053G	\$ 218	10C1.6X026	\$ 218	1.6	3/8"	3/8"	3500	250	1
10C2X053G	\$ 218	10C2X026	\$ 218	2	3/8"	3/8"	3500	250	1
10C2.5X053G	\$ 223	10C2.5X026	\$ 223	2.5	3/8"	3/8"	3500	250	1.1
10C3.15X053G	\$ 223	10C3.15X026	\$ 223	3.15	1/2"	3/8"	3500	250	1.1
10C3.65X053G	\$ 227	10C3.65X026	\$ 227	3.65	1/2"	3/8"	3500	250	1.2
10C4.2X053G	\$ 227	10C4.2X026	\$ 227	4.2	1/2"	3/8"	3500	250	1.2
10C5X053G	\$ 227	10C5X026	\$ 227	5	1/2"	3/8"	3000	250	1.2
10C5.7X053G	\$ 233	10C5.7X026	\$ 233	5.7	1/2"	3/8"	3000	200	1.3
10C6.1X053G	\$ 233	10C6.1X026	\$ 233	6.1	1/2"	3/8"	2500	200	1.3
10C7.4X053G	\$ 238	10C7.4X026	\$ 238	7.4	1/2"	3/8"	2500	180	1.4
10C8.5X053G	\$ 238	10C8.5X026	\$ 238	8.5	1/2"	3/8"	2000	150	1.5
10C9.8X053G	\$ 243	10C9.8X026	\$ 243	9.8	1/2"	3/8"	2000	120	1.6

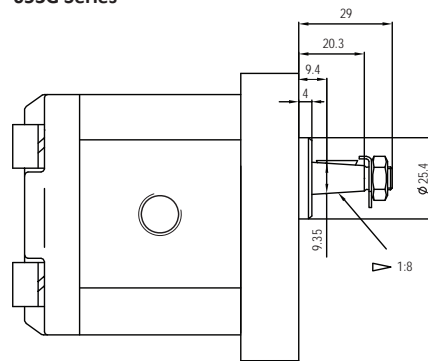
Seal Kits, Port Adaptors and Options

Part.	List Price	Description
GR105-SK	\$ 30	Seal Kit - Includes all seals for group 1 pumps
GR105-SS	\$ 7	Shaft Seal - Shaft seal only, suitable for group 1 pumps
G3/8	\$ 32	Port Adaptor - Alloy Elbow 2 Bolt - Mount PCD 30mm, Female 3/8" BSPP
G1/2	\$ 32	Port Adaptor - Alloy Elbow 2 Bolt - Mount PCD 30mm, Female 1/2" BSPP
A2A1	\$ 138	Internal Relief - Positioned in the rear plate, Range 70-180 Bar
SP1	\$ 280	Bearing Support - 1:8 Tapered input, 18mm Straight Keyed output
Shafts or Flanges	\$ 50	Spare Parts - A range of shafts and front flanges available
Rotation	\$ 10	Rotation - Rotation change from standard
Modification	\$ 40	Modification - Special design charges may vary

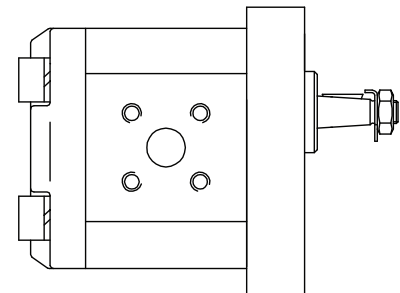
Front View - Euro 4 Bolt, 1:8 Tapered



Side View - Euro 4 Bolt, 1:8 Tapered, BSPP 053G Series



Side View - Euro 4 Bolt, 1:8 Tapered, Flanged 026 Series



EUROPEAN STANDARD GROUP 2



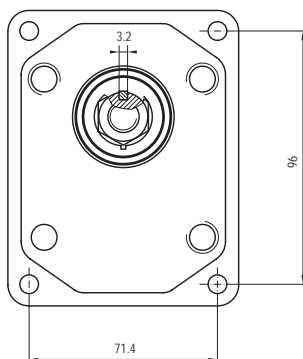
Standard: **Shaft** 1:8 Tapered, **Mount** 4 Bolt 36.5mm Spigot, R/H Rotation, **Ports** BSPP Threaded/Flanged

BSPP Threaded Ports		Flanged Ports		Specifications					
Part.	List Price	Part.	List Price	CC/Rev	Ports		Speed Max Cont RPM	Pressure Max Cont Bar	Weight Kg
					Suction	Pressure			
20C4.5X687G	\$ 294	20C4.5X006	\$ 294	4.5	1/2"	1/2"	3500	250	3.3
20C6.3X687G	\$ 294	20C6.3X006	\$ 294	6.3	1/2"	1/2"	3500	250	3.4
20C8.2X687G	\$ 294	20C8.2X006	\$ 294	8.2	1/2"	1/2"	3500	250	3.4
20C11X016G	\$ 303	20C11X006	\$ 303	11.3	3/4"	1/2"	3500	250	3.6
20C14X016G	\$ 312	20C14X006	\$ 312	14	3/4"	1/2"	3500	250	3.7
20C16X016G	\$ 312	20C16X006	\$ 312	16	3/4"	1/2"	2500	250	3.8
20C19X016G	\$ 321	20C19X006	\$ 321	19	3/4"	1/2"	2500	200	3.9
20C22X016G	\$ 321	20C22X006	\$ 321	22	3/4"	1/2"	2000	180	4.1
20C25X016HG	\$ 339	20C25X006H	\$ 339	25	3/4"	1/2"	2500	160	4.5
20C28X016HG	\$ 365	20C28X006H	\$ 365	28	1"	3/4"	2500	130	4.6
20C32X016HG	\$ 380	20C32X006H	\$ 380	32	1"	3/4"	2000	120	4.9
20C36X016HG	\$ 399	20C36X006H	\$ 399	36	1"	3/4"	2000	100	5

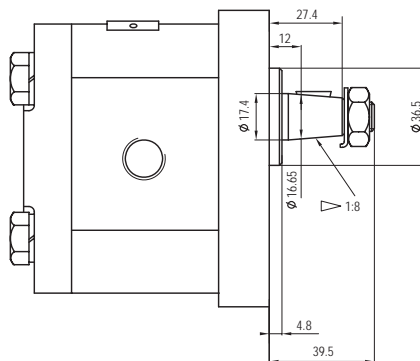
Seal Kits, Port Adaptors and Options

Part.	List Price	Description
GR205-SK	\$ 48	Seal Kit - Includes all seals for group 2 pumps
GR205-SKV	\$ 99	Seal Kit Viton - Includes all seals for group 2 pumps
GR205-SS	\$ 9	Shaft Seal - Shaft seal only, suitable for group 2 pumps
GR205-SSV	\$ 18	Shaft Seal Viton - Shaft seal only, suitable for group 2 pumps
G1/2	\$ 32	Port Adaptor - Alloy Elbow 2 Bolt - Mount PCD 30mm, Female 1/2" BSPP
G3/4	\$ 38	Port Adaptor - Alloy Elbow 2 Bolt - Mount PCD 40mm, Female 3/4" BSPP
G1	\$ 55	Port Adaptor - Alloy Elbow 2 Bolt - Mount PCD 50.8mm, Female 1" BSPP
A2A1 or A2A3	\$ 140	Internal Relief - Position in the rear cover, A2A1 Range 70-180 Bar, A2A3 Range 100-250 Bar
SP2	\$ 350	Bearing Support - 1:8 Tapered input , 22mm Straight Keyed output
Shafts or Flanges	\$ 80	Spare Parts - A range of shafts and front flanges available
Rotation	\$ 10	Rotation - Rotation change from standard
Modification	\$ 40	Modification - Special design charges may vary

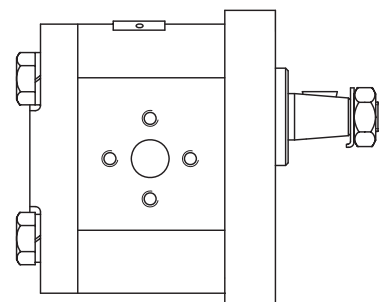
Front View - Euro 4 Bolt, 1:8 Tapered



Side View - Euro 4 Bolt, 1:8 Tapered, BSPP 016G Series



Side View - Euro 4 Bolt, 1:8 Tapered, Flanged 006 Series



EUROPEAN STANDARD GROUP 3



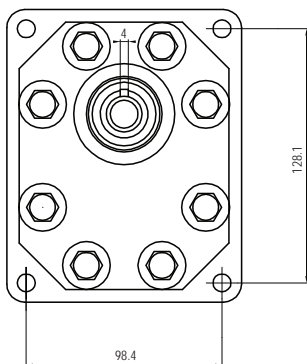
Standard: Shaft 1:8 Tapered, **Mount** 4 Bolt 50.8mm Spigot, R/H Rotation, **Ports** BSPP Threaded/Flanged

BSPP Threaded Ports		Flanged Ports		Specifications					
Part.	List Price	Part.	List Price	CC/Rev	Ports		Speed Max Cont RPM	Pressure Max Cont Bar	Weight Kg
					Suction	Pressure			
30C20X163HG	\$ 506	30C20X146H	\$506	20	3/4"	3/4"	3000	250	8
30C25X163HG	\$ 516	30C25X146H	\$ 516	25	3/4"	3/4"	3000	250	8.2
30C32X163HG	\$ 540	30C32X146H	\$ 540	32	1"	3/4"	3000	250	8.8
30C36X163HG	\$ 552	30C36X146H	\$ 552	36	1"	3/4"	2800	250	9.1
30C42X163HG	\$ 565	30C42X146H	\$ 565	42	1"	3/4"	2500	230	9.3
30C46X163HG	\$ 571	30C46X146H	\$ 571	46	1"	3/4"	2300	230	9.6
30C50X163HG	\$ 577	30C50X146H	\$ 577	50	1"	3/4"	2100	200	9.8
30C55X163HG	\$ 589	30C55X146H	\$ 589	55	1"	3/4"	1750	200	9.9
30C60X163HG	\$ 603	30C60X146H	\$ 603	60	1"	3/4"	1750	180	10

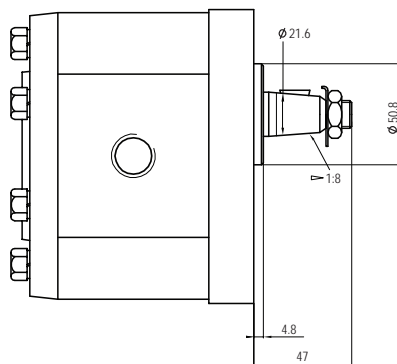
Seal Kits, Port Adaptors and Options

Part.	List Price	Description
GR305-SK	\$ 70	Seal Kit - Includes all seals for group 3 pumps
GR305-SKH	\$ 79	Seal Kit - Includes all seals for group 3 pumps - H series
GR305-SKHV	\$ 94	Seal Kit with Viton Shaft Seal- Includes all seals for group 3 pumps - H series
GR305-SS	\$ 11	Shaft Seal - Shaft seal only, suitable for group 3 pumps
GR305-SSH	\$ 20	Shaft Seal - Shaft seal only, suitable for group 3 pumps - H series
GR305-SSHV	\$ 35	Shaft Seal Viton - Shaft seal only, suitable for group 3 pumps - H Series
G3/4	\$ 38	Port Adaptor - Alloy Elbow 2 Bolt - Mount PCD 40mm, Female 3/4" BSPP
G1	\$ 55	Port Adaptor - Alloy Elbow 2 Bolt - Mount PCD 50.8mm, Female 1" BSPP
Shafts or Flanges	\$ 90	Spare Parts - A range of shafts and front flanges available
Rotation	\$ 10	Rotation - Rotation change from standard
Modification	\$ 40	Modification - Special design charges may vary

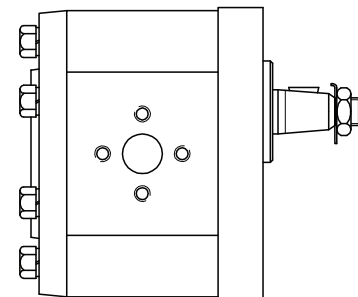
Front View - Euro 4 Bolt, 1:8 Tapered



Side View - Euro 4 Bolt, 1:8 Tapered, BSPP 163G Series



Side View - Euro 4 Bolt, 1:8 Tapered, Flanged 146 Series



AMERICAN/SAE STANDARD GROUP 2



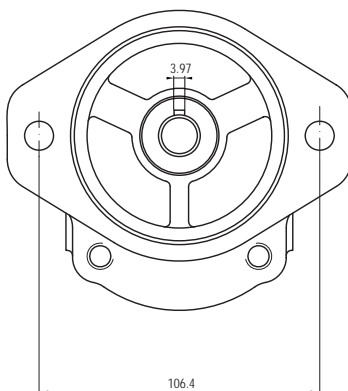
Standard: Shaft 5/8" Keyed or Splined, **Mount** SAE A 2 Bolt 82.55mm Spigot, R/H Rotation, **Ports** BSPP Threaded

5/8" Keyed Shaft		5/8" 9T Splined Shaft		Specifications					
Part.	List Price	Part.	List Price	CC/Rev	Ports - BSPP		Speed Max Cont RPM	Pressure Max Cont Bar	Weight Kg
					Suction	Pressure			
20C4.5X030G	\$ 350	20C4.5X085G	\$ 350	4.5	1/2"	1/2"	3500	250	3.4
20C6.3X030G	\$ 350	20C6.3X085G	\$ 350	6.3	1/2"	1/2"	3500	250	3.5
20C8.2X030G	\$ 350	20C8.2X085G	\$ 350	8.2	1/2"	1/2"	3500	250	3.5
20C11X030G	\$ 350	20C11X085G	\$ 350	11.3	3/4"	1/2"	3500	250	3.7
20C14X030G	\$ 370	20C14X085G	\$ 370	14	3/4"	1/2"	3500	250	3.8
20C16X030G	\$ 370	20C16X085G	\$ 370	16	3/4"	1/2"	2500	250	3.9
20C19X030G	\$ 370	20C19X085G	\$ 370	19	3/4"	1/2"	2500	200	4
20C22X030G	\$ 370	20C22X085G	\$ 370	22	3/4"	1/2"	2000	180	4.2
20C25X030HG	\$ 394	20C25X085HG	\$ 394	25	3/4"	1/2"	2500	160	4.6
20C28X030HG	\$ 418	20C28X085HG	\$ 418	28	1"	3/4"	2500	130	4.7
20C32X030HG	\$ 445	20C32X085HG	\$ 445	32	1"	3/4"	2000	120	5
20C36X030HG	\$ 467	20C36X085HG	\$ 467	36	1"	3/4"	2000	100	5.1

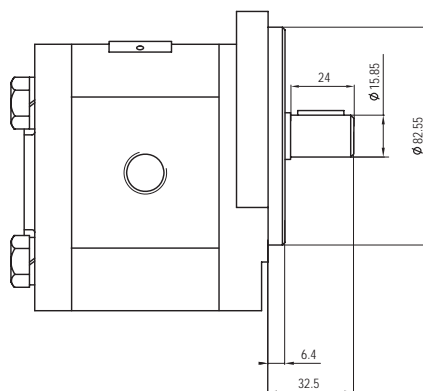
Seal Kits and Options

Part.	List Price	Description
GR205-SK	\$ 48	Seal Kit - Includes all seals for group 2 pumps
GR205-SKV	\$ 99	Seal Kit Viton - Includes all seals for group 2 pumps
GR205-SS	\$ 9	Shaft Seal - Shaft seal only, suitable for group 2 pumps
GR205-SSV	\$ 18	Shaft Seal Viton- Shaft seal only, suitable for group 2 pumps
A2A1 or A2A3	\$ 140	Internal Relief - Positioned in the rear cover - A2A1 Range 70-180 Bar, A2A3 Range 100-250 Bar
Shafts or Flanges	\$ 80	Spare Parts - A range of shafts and front flanges available
Rotation	\$ 10	Rotation - Rotation change from standard
Modification	\$ 40	Modification - Special design charges may vary

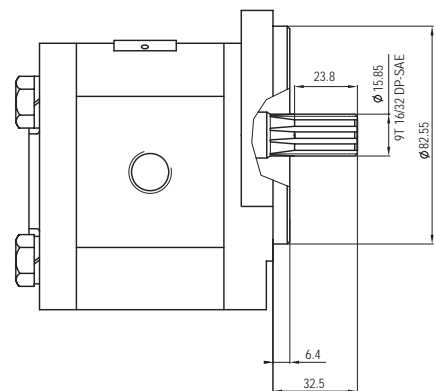
Front View - SAE A 2 Bolt



Side View - SAE A 2 Bolt, 5/8" Keyed 030G Series



Side View - SAE A 2 Bolt, 5/8" 9T Splined 085G Series



AMERICAN/SAE STANDARD GROUP 3



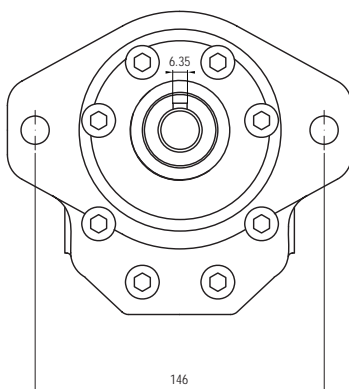
Standard: **Shaft** 7/8" Keyed or Splined, **Mount** SAE B 2 Bolt 101.6mm Spigot, R/H Rotation, **Ports** BSPP Threaded

7/8" Keyed Shaft		7/8" 13T Splined Shaft		Specifications					
Part.	List Price	Part.	List Price	CC/Rev	Ports - BSPP		Speed Max Cont RPM	Pressure Max Cont Bar	Weight Kg
					Suction	Pressure			
30C20X237HG	\$ 632	30C20X236HG	\$ 632	20	3/4"	3/4"	3000	250	8.5
30C25X237HG	\$ 645	30C25X236HG	\$ 645	25	3/4"	3/4"	3000	250	8.7
30C32X237HG	\$ 674	30C32X236HG	\$ 674	32	1"	3/4"	3000	250	9.3
30C36X237HG	\$ 691	30C36X236HG	\$ 691	36	1"	3/4"	2800	250	9.6
30C42X237HG	\$ 705	30C42X236HG	\$ 705	42	1"	3/4"	2500	230	9.8
30C46X237HG	\$ 711	30C46X236HG	\$ 711	46	1"	3/4"	2300	230	10.1
30C50X237HG	\$ 722	30C50X236HG	\$ 722	50	1"	3/4"	2100	200	10.3
30C55X237HG	\$ 732	30C55X236HG	\$ 732	55	1"	3/4"	1750	200	10.4
30C60X237HG	\$ 753	30C60X236HG	\$ 753	60	1"	3/4"	1750	180	10.6

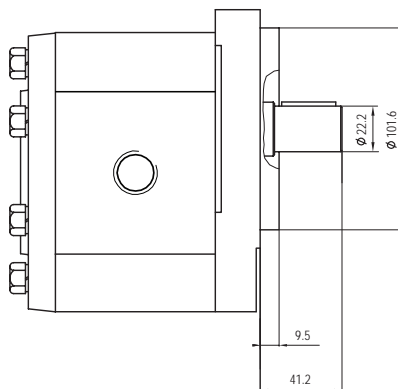
Seal Kits and Options

Part.	List Price	Description
GR305-SK	\$ 70	Seal Kit - Includes all seals for group 3 pumps
GR305-SKH	\$ 79	Seal Kit - Includes all seals for group 3 pumps - H series
GR305-SS	\$ 11	Shaft Seal - Shaft seal only, suitable for group 3 pumps
GR305-SSH	\$ 20	Shaft Seal - Shaft seal only, suitable for group 3 pumps - H series
GR305-SSHV	\$ 35	Shaft Seal Viton - Shaft seal only, suitable for group 3 pumps - H series
Shafts or Flanges	\$ 90	Spare Parts - A range of shafts and front mounts available
Rotation	\$ 10	Rotation - Rotation change from standard
Modification	\$ 40	Modification - Special design charges may vary

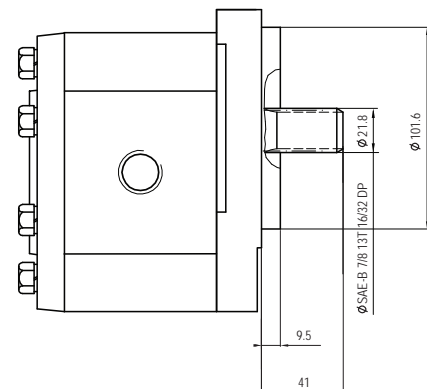
Front View - SAE B 2 Bolt



Side View - SAE B 2 Bolt, 7/8" Keyed, BSPP 237G Series



Side View - SAE B 2 Bolt, 7/8" 13T Splined, BSPP 236G Series



GERMAN STANDARD GROUP 2



Standard: Combinations

4 Bolt 80mm Spigot 1:5 Taper, Flange Ports, L/H		2 Bolt KHD 50mm Spigot 1:5 Taper, Flange Ports, L/H		2 Bolt IHC 50mm Spigot 1:5 Taper, Flange Ports, L/H		Specifications				
Part.	List Price	Part.	List Price	Part.	List Price	CC/ Rev	Ports-Flanged		Speed Max Cont RPM	Pressure Max Cont Bar
							Inlet	Outlet		
20A4.5X086	\$ 397	20A4.5X007	\$ 440	20A4.5X008	\$ 440	4.5	G206	G205	3500	250
20A6.3X086	\$ 397	20A6.3X007	\$ 440	20A6.3X008	\$ 440	6.3	G206	G205	3500	250
20A8.2X086	\$ 410	20A8.2X007	\$ 452	20A8.2X008	\$ 452	8.2	G206	G205	3500	250
20A11X086	\$ 410	20A11X007	\$ 452	20A11X008	\$ 452	11	G206	G205	3500	250
20A14X086	\$ 433	20A14X007	\$ 464	20A14X008	\$ 464	14	G206	G205	3500	250
20A16X086	\$ 433	20A16X007	\$ 464	20A16X008	\$ 464	16	G206	G205	2500	250
20A19X086	\$ 444	20A19X007	\$ 477	20A19X008	\$ 477	19	G206	G205	2500	200
20A22X086	\$ 444	20A22X007	\$ 477	20A22X008	\$ 477	22	G206	G205	2000	180
20A25X086H	\$ 455	20A25X007H	\$ 483	20A25X008H	\$ 483	25	G206	G205	2500	160

4 Bolt 80mm Spigot, L/H 16.5mm 9T Splined , Flange Ports		2 Bolt KHD 50mm Spigot, L/H 16.5mm 9T Splined, Flanged Ports		2 Bolt SAE A 82.55mm Spig R/H 5/8" 9T Splined, Flanged Ports		Specifications				
Part.	List Price	Part.	List Price	Part.	List Price	CC/ Rev	Ports-Flanged		Speed Max Cont RPM	Pressure Max Cont Bar
							Inlet	Outlet		
20A4.5X021	\$ 433	20A4.5X205	\$ 433	20C4.5X104	\$ 350	4.5	G206	G205	3500	250
20A6.3X021	\$ 433	20A6.3X205	\$ 433	20C6.3X104	\$ 350	6.3	G206	G205	3500	250
20A8.2X021	\$ 446	20A8.2X205	\$ 446	20C8.2X104	\$ 350	8.2	G206	G205	3500	250
20A11X021	\$ 446	20A11X205	\$ 446	20C11X104	\$ 350	11	G206	G205	3500	250
20A14X021	\$ 469	20A14X205	\$ 469	20C14X104	\$ 370	14	G206	G205	3500	250
20A16X021	\$ 469	20A16X205	\$ 469	20C16X104	\$ 370	16	G206	G205	2500	250
20A19X021	\$ 480	20A19X205	\$ 480	20C19X104	\$ 370	19	G206	G205	2500	200
20A22X021	\$ 480	20A22X205	\$ 480	20C22X104	\$ 370	22	G206	G205	2000	180
20A25X021H	\$ 491	20A25X205H	\$ 491	20C25X104H	\$ 394	25	G206	G205	2500	160

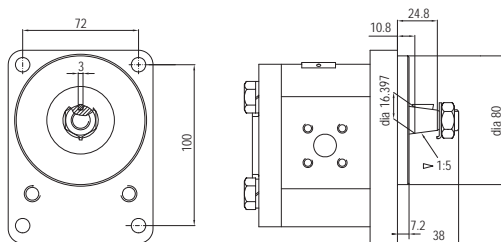
Seal Kits

Part.	List	Description
GR205-SK	\$ 48	Seal Kit
GR205-SKV	\$ 99	Seal Kit Viton
GR205-SS	\$ 9	Shaft Seal
GR205-SSV	\$ 18	Shaft Seal Viton

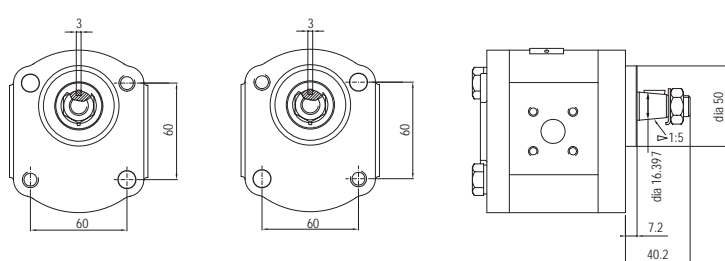
Port Adaptors and Options

Part.	List	Description
G205	\$ 45	Port Adaptor - Alloy Elbow 4 Bolt - Mount PCD 35mm, Female 1/2" BSPP
G206	\$ 49	Port Adaptor - Alloy Elbow 4 Bolt - Mount PCD 40mm, Female 3/4" BSPP
Rotation	\$ 10	Rotation - Rotation change from standard
Modification	\$ 40	Modification - Special design charges may vary

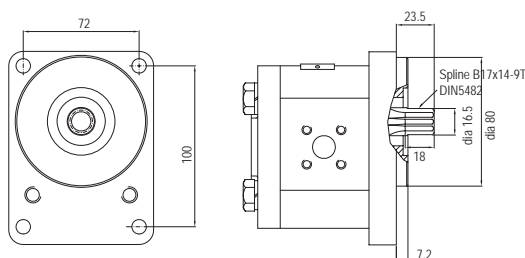
Front/Side View - German 4 Bolt, 1:5 Taper
086 Series



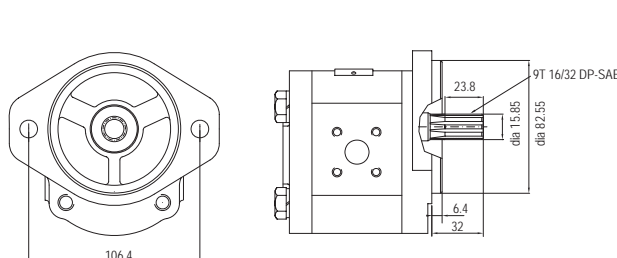
Front/Side View - German KHD or IHC 2 Bolt, 1:5 Taper
007 Series - KHD 008 Series - IHC



Front/Side View - German 4 Bolt, 16.5mm 9T Spline
021 Series



Front/Side View - SAE A 2 Bolt, 5/8 9T Spline
104 Series



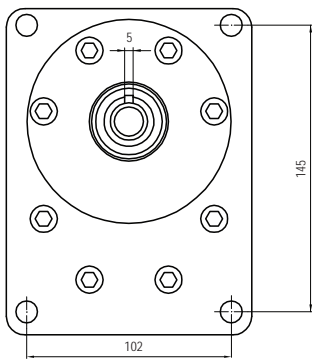
GERMAN STANDARD GROUP 3



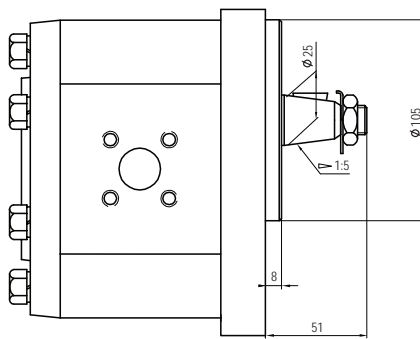
Standard: Shaft 1:5 Tapered, Mount 4 Bolt 105mm Spig L/H Rotation, Ports Flanged "German Design"

Part Number & Pricing		Specifications					
Part.	List Price	CC/Rev	Ports - UNF		Speed Max Cont - RPM	Pressure Max Cont - Bar	Weight Kg
			Suction	Pressure			
30A25X337H	\$ 722	25	G206	G206	3000	250	9.4
30A32X337H	\$ 732	32	G207	G207	3000	250	10
30A36X337H	\$ 748	36	G207	G207	2800	250	10.3
30A42X337H	\$ 755	42	G207	G207	2500	230	10.5
30A46X337H	\$ 762	46	G207	G207	2300	230	10.8
30A50X337H	\$ 768	50	G207	G207	2100	200	11

Front View - German 4 Bolt, 1:5 Tapered 337 Series



Side View - German 4 Bolt, 1:5 Tapered, Flanged 337 Series

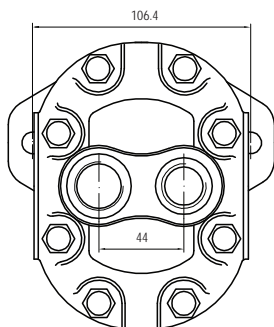


SPECIAL DESIGN GROUP 3, "SAE A" MOUNTING

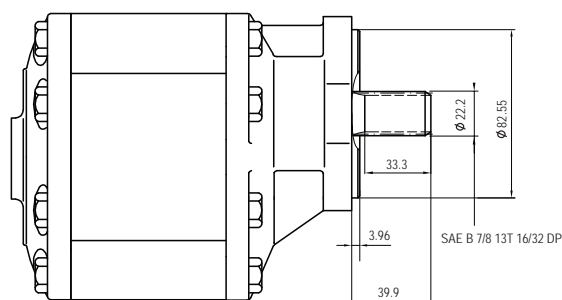
Standard: Shaft 7/8" 13T Splined, Mount SAE A 2 Bolt 82.55mm Spigot, R/H Rotation, Ports BSPP Threaded

Part Number & Pricing		Specifications					
Part.	List Price	CC/Rev	Ports - BSPP		Speed Max Cont - RPM	Pressure Max Cont - Bar	Weight Kg
			Suction	Pressure			
30C32X263W	\$ 740	32	1"	3/4"	2500	200	5.9
30C36X263W	\$ 750	36	1"	3/4"	2500	190	6.1
30C42X263W	\$ 765	42	1"	3/4"	2300	190	6.5
30C46X263WH	\$ 785	46	1"	3/4"	2300	175	6.7
30C50X263WH	\$ 795	50	1"	3/4"	2100	175	6.9
30C55X263WH	\$ 815	55	1"	3/4"	1750	175	7

Rear View - SAE A 2 Bolt, 7/8" 13T Splined, BSPP 263W Series



Side View - SAE A 2 Bolt, 7/8" 13T Splined 263W Series



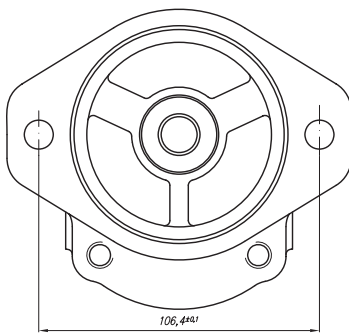
SPECIAL DESIGN GROUP 2, 3/4" SPLINED/KEYED SHAFT



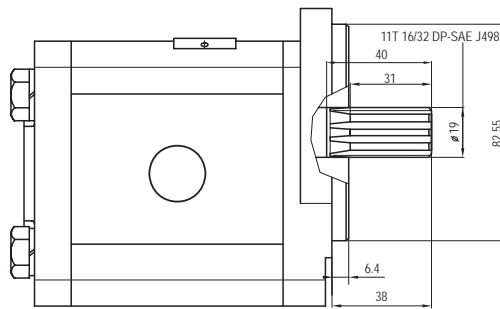
Standard: Shaft 3/4" 11T Splined, **Mount** SAE A 2 Bolt 82.55mm Spigot, R/H Rotation, **Ports** UNF Threaded

Part Number & Pricing		Specifications					
Part.	List Price	CC/Rev	Ports - UNF		Speed Max Cont - RPM	Pressure Max Cont - Bar	Weight Kg
			Suction	Pressure			
20C16X550HU	\$ 456	16	1.1/16"	7/8"	3500	250	4.2
20C19X550HU	\$ 466	19	1.1/16"	7/8"	3500	230	4.3
20C22X550HU	\$ 472	22	1.1/16"	7/8"	3500	200	4.5
20C25X550HU	\$ 482	25	1.1/16"	7/8"	3500	200	4.9
20C28X550HU	\$ 514	28	1.5/16"	1.1/16"	2500	170	5
20C32X550HU	\$ 524	32	1.5/16"	1.1/16"	2500	150	5.3
20C36X550HU	\$ 534	36	1.5/16"	1.1/16"	2500	120	5.4

Top View - SAE A 2 Bolt, 3/4" 11T Splined 550HU Series



Side View - SAE A 2 Bolt, 3/4" 11T Splined, UNF 550HU Series



OPTIONS

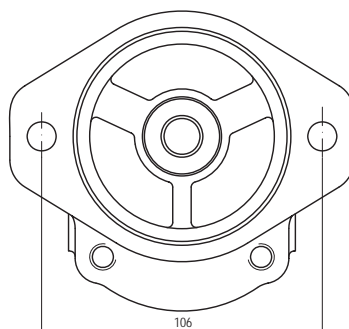
Code	List Price	Description
853HDU	-	3/4"(19.03) Keyed Shaft
GR205HU	\$ 59	Seal Kit

SPECIAL DESIGN GROUP 2, 17MM 10T SPLINED SHAFT

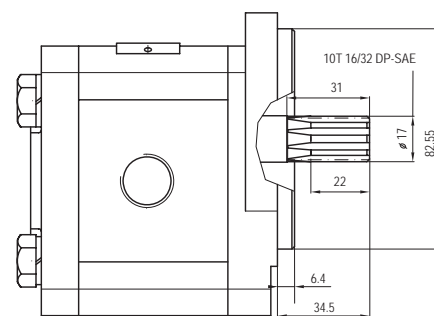
Standard: Shaft 17mm 10T Splined, **Mount** SAE A 2 Bolt 82.55mm Spigot, R/H Rotation, **Ports** BSPP Threaded

Part Number & Pricing		Specifications					
Part.	List Price	CC/Rev	Ports - BSPP		Speed Max Cont - RPM	Pressure Max Cont - Bar	Weight Kg
			Suction	Pressure			
20C8.2X554G	\$ 440	8.2	1/2"	1/2"	3500	250	3.5
20C11X554G	\$ 448	11.3	3/4"	1/2"	3500	250	3.7
20C14X554G	\$ 456	14	3/4"	1/2"	3500	250	3.8
20C16X554G	\$ 456	16	3/4"	1/2"	2500	250	3.9
20C19X554G	\$ 466	19	3/4"	1/2"	2500	200	4
20C22X554G	\$ 472	22	3/4"	1/2"	2000	180	4.2
20C25X554HG	\$ 482	25	3/4"	1/2"	2500	160	4.6
20C28X554HG	\$ 514	28	1"	3/4"	2500	130	4.7
20C32X554HG	\$ 524	32	1"	3/4"	2000	120	5

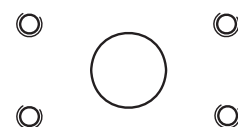
Top View - SAE A 2 Bolt, 17mm 10T Splined 554G Series



Side View - SAE A 2 Bolt, 17mm 10T Splined, BSPP 554G Series



Option - SAE Ports available in limited sizes 464 Series Add \$64 List



Seal Kit Part Number - GR205-SK - List \$48

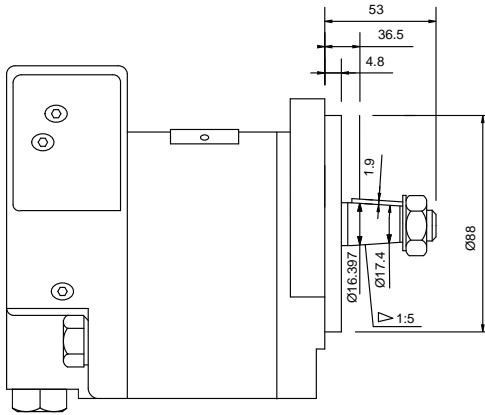
PUMPS WITH PRIORITY GROUP 2 "JOHN DEER"



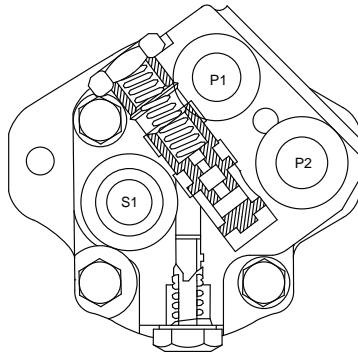
Standard: **Shaft** Extended 1:5 Tapered, **Mount** SAE A 2 Bolt 82.55mm Spigot, L/H Rotation, **Rear Ports** BSPP/UNF Threaded

Part Number & Pricing		Specifications							
Part.	List Price	CC/Rev	Ports			Speed Max Cont RPM	Priority Flow LPM	Set Pressure Bar	Weight Kg
			S1 - Suction BSPP	P1 - Priority UNF	P2 - Rest UNF				
20CA16X410N	\$ 670	16	3/4"	3/4"	7/8"	2500	12	100	5.5

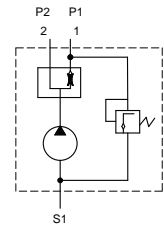
Side View - SAE A 2 Bolt, 1:5 Taper 410 Series



Rear View - Priority SAE A 2 Bolt 410 Series



Schematic

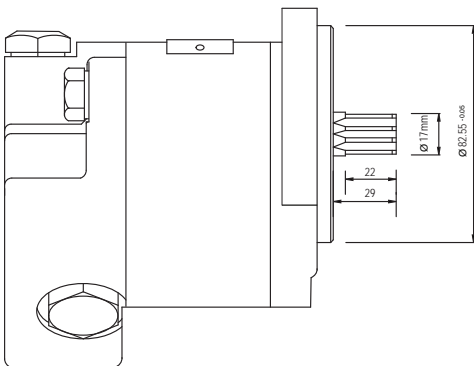


PUMPS WITH PRIORITY GROUP 2 "NISSAN"

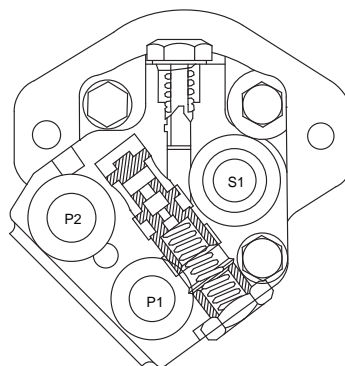
Standard: **Shaft** 17mm 10T Splined, **Mount** SAE 2 Bolt A 82.55mm Spigot, R/H Rotation, **Rear Ports** BSPP/UNF Threaded

Part Number & Pricing		Specifications							
Part.	List Price	CC/Rev	Ports			Speed Max Cont RPM	Priority Flow LPM	Set Pressure Bar	Weight Kg
			S1 - Suction BSPP	P1 - Priority UNF	P2 - Rest UNF				
20C25X512N	\$ 690	25	3/4"	3/4"	7/8"	2500	12	125	5.9

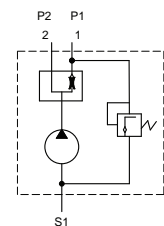
Side View - SAE A 2 Bolt, 17mm 10T 512 Series



Rear View - Priority SAE A 2 Bolt 512 Series



Schematic



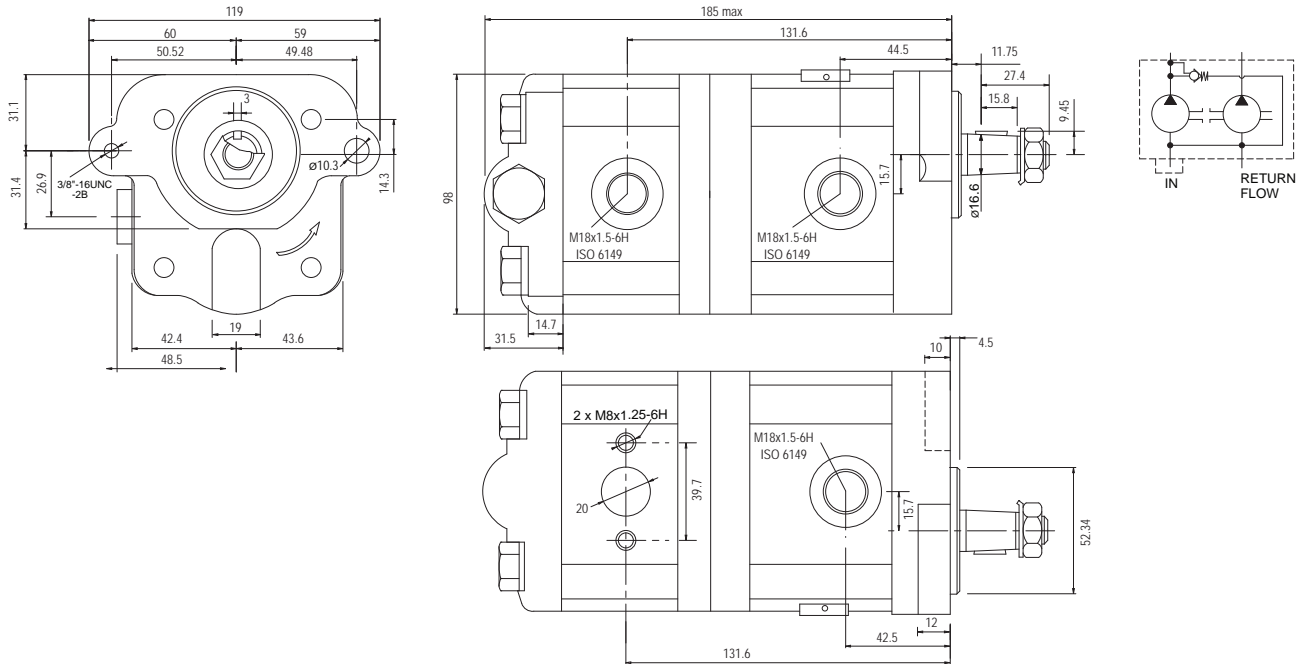
SPECIAL MULTIPLE PUMPS "MASSEY FERGUSON"

300 SERIES DOUBLE PUMP



Standard: **Shaft** 1:8 Tapered, **Mount** 2 Bolt 52.34mm Spigot, L/H Rotation, **Ports** METRIC Thread

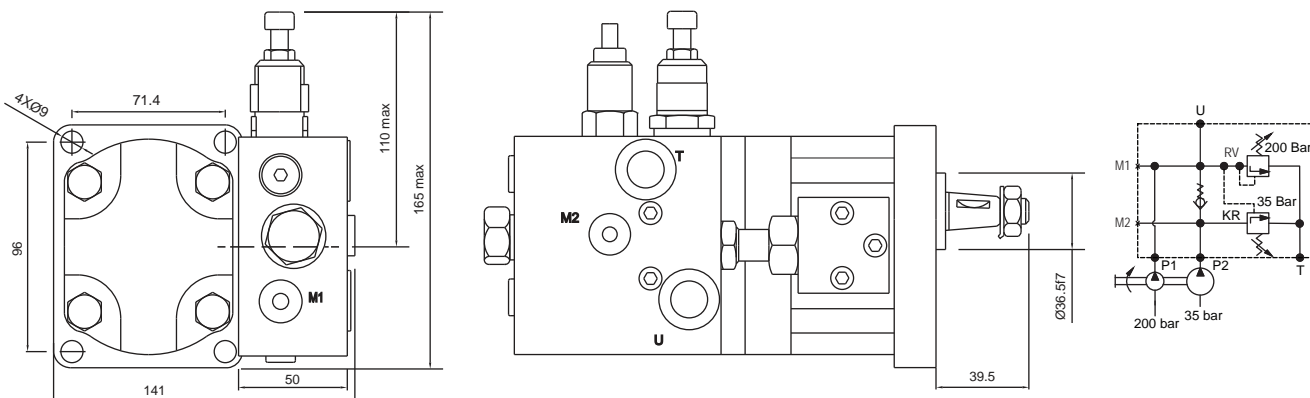
Part Number & Pricing		Specifications					
Part.	List Price	CC/Rev	Ports - BSPP/UNO		Speed Max Cont RPM	Pressure Max Cont Bar	Weight Kg
			# Front Pump Suction uses Flange 37.9 BC				
			Suction	Pressure			
22A11/8.2X349	\$ 898	11/8.2	M18	M18	4000	200	8



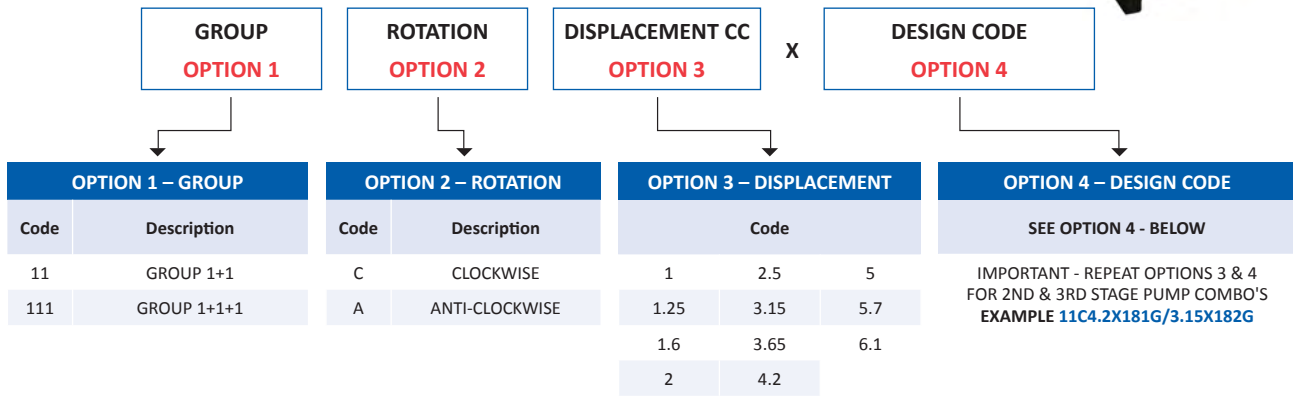
SPECIAL MULTIPLE PUMPS "LOG SPLITTER" HIGH LOW DESIGN

Standard: **Shaft** 1:8 Tapered, **Mount** 4 Bolt 36.5mm Spigot, R/H Rotation, **Ports** BSPP/Flanged

Part Number & Pricing		Specifications							
Part.	List Price	CC/Rev Low Pressure Combined	CC/Rev High Pressure Single	Ports - BSPP/Flanged			Pressure Unload Bar	Pressure Max (RV) Bar	Flow Max (KR) LPM
				Suction Top Pump Flanged	Suction Bottom Pump Flanged	Pressure (U) Tank (T) BSPP			
22C4.5X067F/8.2X066	\$ 880	12.7	4.5	1/2"	1/2"	1/2"	35	320	35
22C4.5X067F/11X066	\$ 920	15.5	4.5	1/2"	3/4"	1/2"	35	320	35
22C6.3X067F/19X066	\$ 980	25.3	6.3	1/2"	3/4"	1/2"	35	320	35



MULTIPLE GEAR PUMPS GROUP 1



Base Pricing Table - Priced to suit 1:8 Tapered, Euro 4 Bolt

Displacement	Front Pump	Middle Pump	Rear Pump
GP1	List Price	List Price	List Price
1	\$ 335	\$ 335	\$ 247
1.25	\$ 335	\$ 335	\$ 247
1.6	\$ 346	\$ 346	\$ 247
2	\$ 350	\$ 350	\$ 250
2.5	\$ 356	\$ 356	\$ 252
3.15	\$ 366	\$ 366	\$ 252
3.65	\$ 376	\$ 376	\$ 252
4.2	\$ 387	\$ 387	\$ 252
5	\$ 397	\$ 397	\$ 252
5.7	\$ 408	\$ 408	\$ 264
6.1	\$ 418	\$ 418	\$ 264

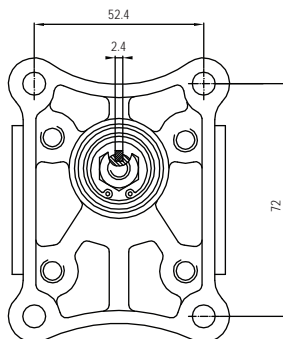
Option 4 - Design Coding System

Design Codes for - Group 1 + Group 1 + Group 1			Front	Middle	Rear
Shafts	Mounting	Ports	Code	Code	Code
1:8 Tapered	4 Bolt Euro	BSPP Threaded ports	181G	303G	182G
1:8 Tapered	4 Bolt Euro	Flanged ports - Square pattern	174	303	175

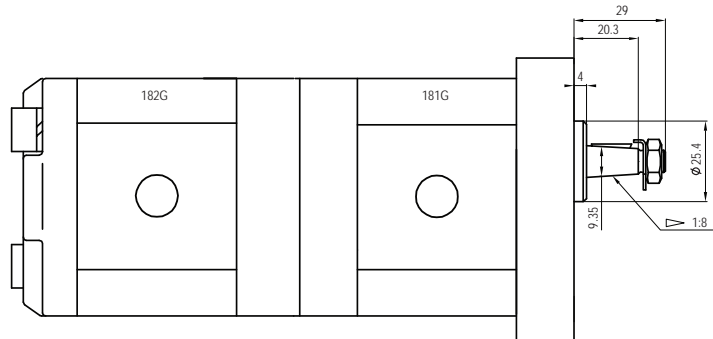
Seal Kit and Options

Part.	List Price	Description
GR105-SK	\$ 30	Seal Kit - Includes all seals for a single group 1 section of a multiple pump, one kit per section required
Rotation	\$ 10	Rotation - Rotation change from standard, per pump
Modification	\$ 40	Modification - Special design charges may vary

Front View - Euro 4 Bolt, 1:8 Taper



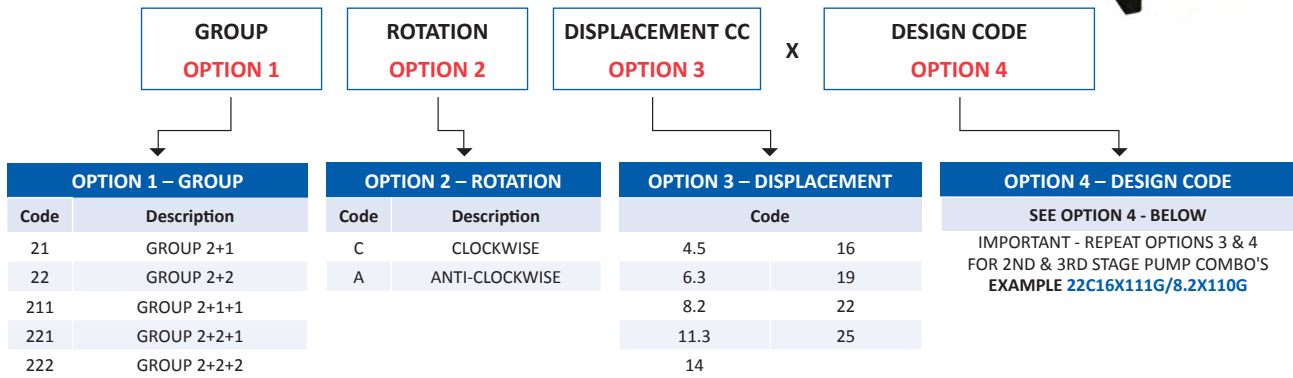
Side View - Euro 4 Bolt, 1:8 Taper, BSPP 181G / 182G Series



Flanged Port Option 174 / 175 Series



MULTIPLE GEAR PUMPS GROUP 2



Base Pricing Table - Priced to suit 1:8 Tapered, Euro 4 Bolt, Additional options available below

Displacement		Front Pump	Middle Pump	Rear Pump
GP2	GP1	GP2 - List	GP2- List GP1 - List	GP2- List GP1 - List
4.5	1	\$ 399	\$ 399 \$ 335	\$ 348 \$ 247
6.3	1.25	\$ 420	\$ 420 \$ 335	\$ 348 \$ 247
8.2	1.6	\$ 441	\$ 441 \$ 346	\$ 348 \$ 247
11	2	\$ 461	\$ 461 \$ 350	\$ 348 \$ 250
14	2.5	\$482	\$ 482 \$ 356	\$ 358 \$ 252
16	3.15	\$ 503	\$ 503 \$ 366	\$ 358 \$ 252
19	3.65	\$ 513	\$ 513 \$ 376	\$ 368 \$ 252
22	4.2	\$ 524	\$ 524 \$ 387	\$ 368 \$ 252
25	5	\$ 546	\$ 546 \$ 397	\$ 380 \$ 252
	5.7			\$ 408 \$ 264
	6.1			\$ 418 \$ 264

Option 4 - Design Coding System

Design Codes for - Group 2 + Group 1			Front	List	Middle	Rear
Shafts	Mounting Flanges	Ports	Code	Add	Code	Code
1:8 Tapered	4 Bolt Euro	BSPP Threaded ports	141G	-	-	142G
1:8 Tapered	4 Bolt Euro	Flanged ports - Diamond pattern	168	-	-	179

Design Codes for - Group 2 + Group 2 + Group 2			Front	List	Middle	Rear
Shafts	Mounting Flanges	Ports	Code	Add	Code	Code
1:8 Tapered	4 Bolt Euro	BSPP Threaded ports	111G	-	156G	110G
1:8 Tapered	4 Bolt Euro	Flanged ports - Diamond pattern	067	-	156	066
1:8 Tapered	4 Bolt Euro	Single suction in second pump, 3/4" BSPP Threaded	-	-	-	723GF
1:8 Tapered	4 Bolt Euro	Single suction in first pump, 3/4" BSPP Threaded	638G2F	-	-	639G2
1:8 Tapered	4 Bolt Euro	Single suction in first pump, 1" BSPP Threaded	638G112F	-	-	639G2
1:5 Tapered	4 Bolt German	Flanged German ports - Square pattern	158	\$ 90	156B	161
1:5 Tapered	2 Bolt German KHD	Flanged German ports - Square pattern	095	\$ 100	156B	097
1:5 Tapered	4 Bolt German	Single suction in first pump, German flanged ports	-	\$ 90	-	280S
16.5mm 9T Splined	4 Bolt German	Flanged German ports - Square pattern	124	\$ 100	156B	077
16.5mm 9T Splined	2 Bolt German KHD	Flanged German ports - Square pattern	096	\$ 110	156B	097
5/8" Keyed	2 Bolt SAE A	BSPP Threaded ports	457G	\$ 86	156G	110G
5/8" 9T Splined	2 Bolt SAE A	BSPP Threaded ports	167G	\$ 86	156G	110G
5/8" 9T Splined	2 Bolt SAE A	Flanged German ports - Square pattern	468	\$ 86	156B	077
17mm 10T Splined	2 Bolt SAE A	BSPP Threaded ports	574G	\$ 96	156G	110G
17mm 15T Splined	4 Bolt German	Flanged German ports - Square pattern	259	\$ 110	156B	097
3/4" 11T Splined	2 Bolt SAE A	UNO Threaded ports	656DU	\$ 130	-	110U

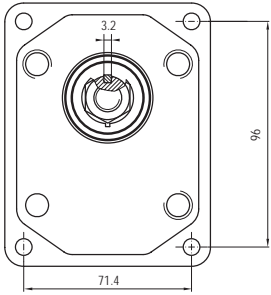
Seal Kits and Options

Part.	List Price	Description
GR205F-SK	\$ 57	Seal Kit - Includes all seals for a group 2 front pump
GR205M-SK	\$ 48	Seal Kit - Includes all seals for a group 2 middle pump that is being used in a group 2+2+2 arrangement
GR205R-SK	\$ 42	Seal Kit - Includes all seals for a group 2 rear pump that is being used in a group 2+2 or 2+2+2 arrangement
GR205FHU-SK	\$ 68	Seal Kit - Series '656DU' only, Includes all seals for the front pump section, the rear pump will require kit GR205R-SK listed above
GR105-SK	\$ 30	Seal Kit - Includes all seals for a group 1 rear section that is being used in a group 2+1 arrangement
Rotation	\$ 10	Rotation - Rotation change from standard, per pump
Modification	\$ 40	Modification - Special design charges may vary

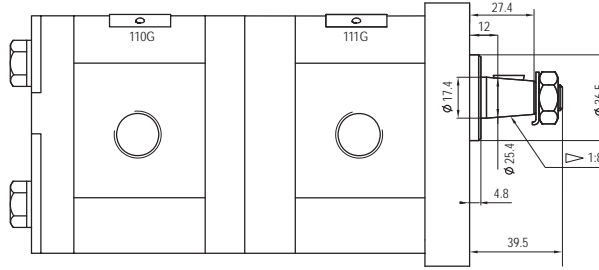
MULTIPLE GEAR PUMPS GROUP 2



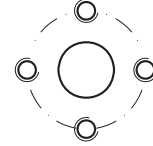
Front View - Euro 4 Bolt, Tapered



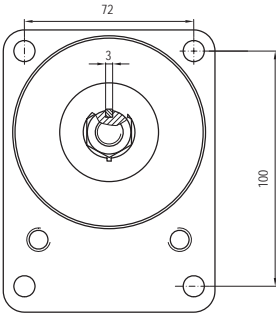
**Side View - Euro 4 Bolt, 1:8 Tapered, BSPP
111G / 110G Series**



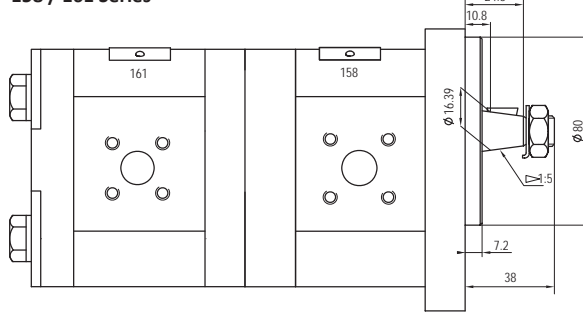
**Flange Port Option
067 / 066 Series**



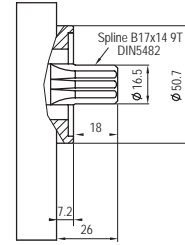
Front View - German 4 Bolt, Tapered



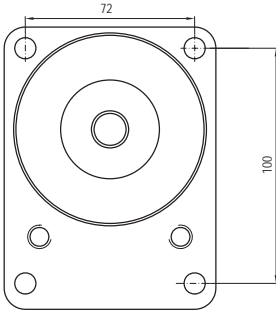
**Side View - German 4 Bolt, 1:5 Tapered, Flanged
158 / 161 Series**



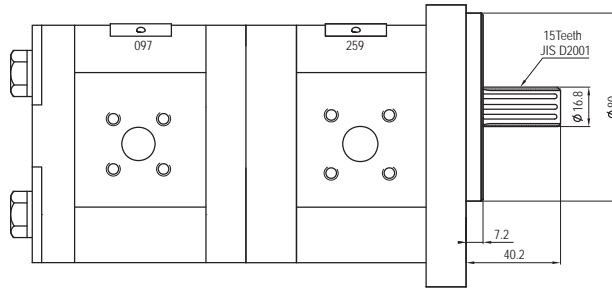
**Option - KHD 2 Bolt
16.5mm 9T Splined
096 Series**



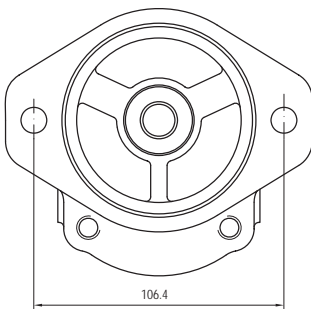
Front View - German 4 Bolt, Splined



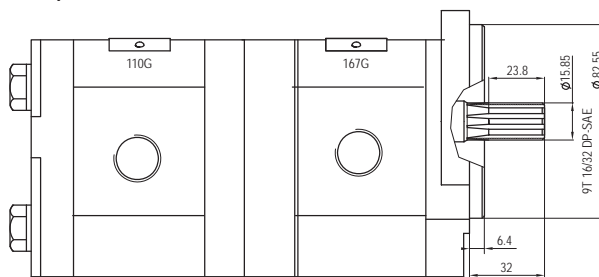
**Side View - German 4 Bolt, 17mm 15T Splined, Flanged
259 / 097 Series**



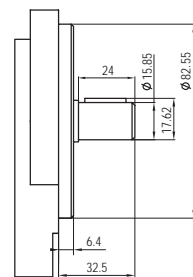
Front View - SAE A 2 Bolt, Splined



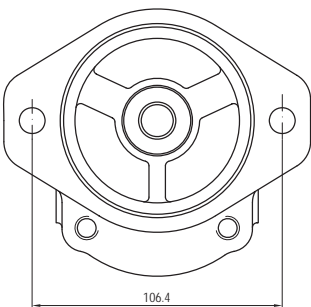
**Side View - SAE A 2 Bolt, 5/8" 9T Splined, BSPP
167G / 110G Series**



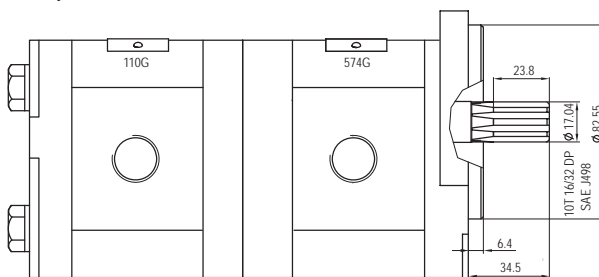
**Option - 5/8" Keyed
457G Series**



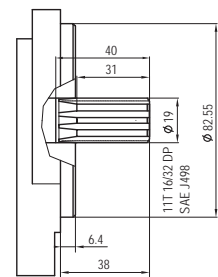
Front View - SAE A 2 Bolt, Splined



**Side View - SAE A 2 Bolt, 17mm 10T Splined, BSPP
574G / 110G Series**



**Option - 3/4" 11T Splined
656U Series**



MULTIPLE GEAR PUMPS GROUP 3



OPTION 1 – COMBINATIONS		OPTION 2 – ROTATION		OPTION 3 – DISPLACEMENT		OPTION 4 – DESIGN CODE
Code	Description	Code	Description	Code		SEE OPTION 4 - BELOW
32	GROUP 3+2	C	CLOCKWISE	20	46	IMPORTANT - REPEAT OPTIONS 3 & 4 FOR 2ND & 3RD STAGE PUMP COMBO'S EXAMPLE 33C55X241HG/32X242HG
33	GROUP 3+3	A	ANTI-CLOCKWISE	25	50	
322	GROUP 3+2+2			32	55	
333	GROUP 3+3+3			36	60	
				42		

Base Pricing Table - Priced to suit 1:8 Tapered, Euro 4 Bolt

Displacement		Front Pump	Middle Pump		Rear Pump	
GP3	GP2	GP3 - List	GP3 - List	GP2 - List	GP3 - List	GP2 - List
20	4.5	\$ 805	\$ 805	\$ 399	\$ 562	\$ 348
25	6.3	\$ 836	\$ 836	\$ 420	\$ 573	\$ 348
32	8.2	\$ 857	\$ 857	\$ 441	\$ 600	\$ 348
36	11	\$ 888	\$ 888	\$ 461	\$ 613	\$ 348
42	14	\$ 929	\$ 929	\$ 482	\$ 627	\$ 358
46	16	\$ 960	\$ 960	\$ 503	\$ 634	\$ 358
50	19	\$ 1002	\$ 1002	\$ 513	\$ 641	\$ 368
55	22	\$ 1033	\$ 1033	\$ 524	\$ 654	\$ 368
60	25	\$ 1073	\$ 1073	\$ 546	\$ 673	\$ 380

Option 4 - Design Coding System

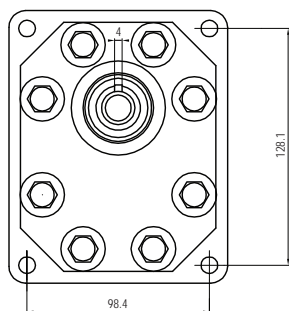
Design Codes for - Group 3 + Group 2			Front	List	Middle	Rear
Shafts	Mounting Flanges	Ports	Code	Add	Code	Code
1:8 Tapered	4 Bolt Euro	BSPP Threaded ports	198G	-	-	201G
7/8" 13T Splined	2 Bolt SAE B	BSPP Threaded ports	245HG	-	-	201G

Design Codes for - Group 3 + Group 3 + Group 3			Front	List	Middle	Rear
Shafts	Mounting Flanges	Ports	Code	Add	Code	Code
1:8 Tapered	4 Bolt Euro	BSPP Threaded ports	241HG	-	324HG	242HG
1:8 Tapered	4 Bolt Euro	Flanged ports - Diamond pattern	241H	-	324H	242H
7/8" Keyed	2 Bolt SAE B	BSPP Threaded ports	345HG	\$ 150	324HG	242HG
7/8" Keyed	2 Bolt SAE B	Flanged ports - Diamond pattern	345H	\$ 150	324H	242H
7/8" 13T Splined	2 Bolt SAE B	BSPP Threaded ports	309HG	\$ 150	324HG	242HG
7/8" 13T Splined	2 Bolt SAE B	Flanged ports - Diamond pattern	309H	\$ 150	324H	242H

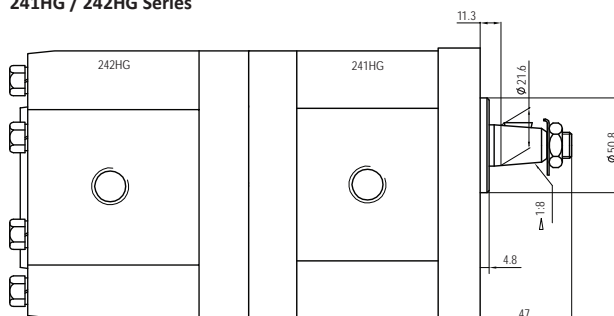
Seal Kits and Options

Part.	List Price	Description
GR305F-SKH	\$ 99	Seal Kit - Includes all seals for a group 3 front pump
GR305MR-SKH	\$ 70	Seal Kit - Includes all seals for a group 3 middle or rear pump
GR205R-SK	\$ 40	Seal Kit - Includes all seals for a group 2 rear pump that is being used in a group 3+2 arrangement
Rotation	\$ 10	Rotation - Rotation change from standard, per pump

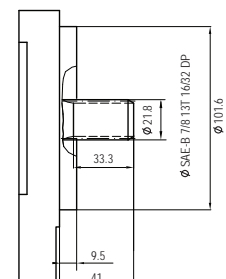
Front View - Euro 4 Bolt, 1:8 Tapered



Side View - Euro 4 Bolt, 1:8 Tapered, BSPP 241HG / 242HG Series



Option - SAE B 2 Bolt 7/8" 13T Splined 309HG Series



GEAR MOTORS GROUP 1



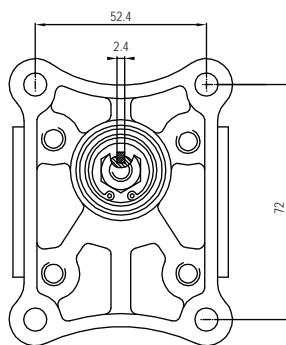
Standard: Bi-Rotational **Shaft** 1:8 Tapered, **Mount** 4 Bolt 25.4mm Spigot, **Ports** BSPP Threaded

Part Number & Pricing		Specifications					
Part.	List Price	CC/Rev	Ports - BSPP		Speed Max Cont RPM	Pressure Max Cont Bar	Weight Kg
			Suction	Pressure			
10MR1.6X563G	\$ 290	1.6	3/8"	3/8"	3500	210	1
10MR2X563G	\$ 290	2	3/8"	3/8"	3500	210	1
10MR2.5X563G	\$ 296	2.5	3/8"	3/8"	3500	210	1.1
10MR3.15X563G	\$ 296	3.15	1/2"	1/2"	3500	210	1.1
10MR3.65X563G	\$ 302	3.65	1/2"	1/2"	3500	210	1.2
10MR4.2X563G	\$ 302	4.2	1/2"	1/2"	3500	210	1.2
10MR5X563G	\$ 302	5	1/2"	1/2"	3500	210	1.2
10MR5.7X563G	\$ 309	5.7	1/2"	1/2"	3000	200	1.3
10MR6.1X563G	\$ 309	6.1	1/2"	1/2"	3000	200	1.3
10MR7.4X563G	\$ 316	7.4	1/2"	1/2"	2500	180	1.4
10MR8.5X563G	\$ 316	8.5	1/2"	1/2"	2500	150	1.5
10MR9.8X563G	\$ 330	9.8	1/2"	1/2"	2000	120	1.5

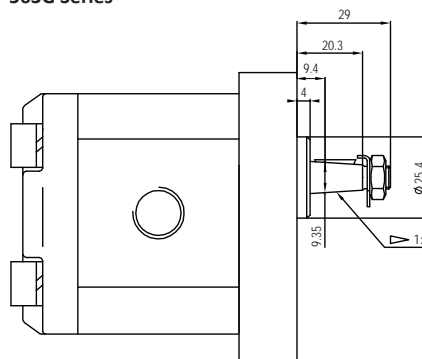
Seal Kits and Options

Part.	List Price	Description
GM1-SKV	\$ 40	Seal Kit Viton - Includes all seals for group 1 motors
GM1-SKT	\$ 55	Seal Kit High Pressure - Includes all seals for group 1 motors, 30 Bar shaft seal rating
GM1-SSV	\$ 16	Shaft Seal Viton - Shaft seal only, suitable for group 1 motors
GM1-SST	\$ 19	Shaft Seal High Pressure - Shaft seal only, suitable for group 1 motors, 30 Bar shaft seal rating
Modification	\$ 40	Modification - Special design charges may vary

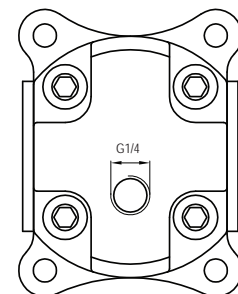
Front View - Euro 4 Bolt, 1:8 Tapered 563G Series



Side View - Euro 4 Bolt, 1:8 Tapered, BSPP 563G Series



Rear View - With Case Drain



Drain Connection (Pdrain 0.5 bar)
Always connect directly to tank

GEAR MOTORS GROUP 2



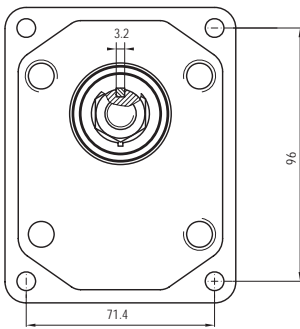
Standard: Bi-Rotational, **Ports** BSPP Threaded

1:8 Taper, 4 Bolt Euro		5/8" Keyed, SAE A 2 Bolt		Specifications					
Part.	List Price	Part.	List Price	CC/Rev	Ports - BSPP		Speed Max Cont RPM	Pressure Max Cont Bar	Weight Kg
					Suction	Pressure			
20MR6.3X543G	\$ 412	20MR6.3X553G	\$ 412	6.3	1/2"	1/2"	3500	200	3.4
20MR8.2X543G	\$ 422	20MR8.2X553G	\$ 422	8.2	1/2"	1/2"	3500	200	3.5
20MR11X543G	\$ 422	20MR11X553G	\$ 422	11.3	3/4"	3/4"	3500	200	3.6
20MR14X543G	\$ 432	20MR14X553G	\$ 432	14	3/4"	3/4"	3500	200	3.7
20MR16X543G	\$ 432	20MR16X553G	\$ 432	16	3/4"	3/4"	3500	200	3.8
20MR19X543G	\$ 444	20MR19X553G	\$ 444	19	3/4"	3/4"	2500	180	4
20MR22X543G	\$ 444	20MR22X553G	\$ 444	22	3/4"	3/4"	2500	180	4.1
20MR25X543HG	\$ 475	20MR25X553GH	\$ 475	25	3/4"	3/4"	2000	160	4.5
20MR28X543HG	\$ 495	20MR28X553GH	\$ 495	28	3/4"	3/4"	2000	130	4.6

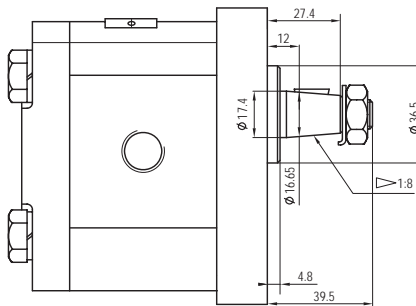
Seal Kits and Options

Options	List Price	Description
GM2-SKV	\$ 55	Seal Kit Viton - Includes all seals for group 2 motors
GM2-SKT	\$ 75	Seal Kit High Pressure - Includes all seals for group 2 motors, 30 Bar shaft seal rating
GM2-SSV	\$ 18	Shaft Seal Viton - Shaft seal only, suitable for group 2 motors
GM2-SST	\$ 22	Shaft Seal High Pressure - Shaft seal only, suitable for group 2 motors, 30 Bar shaft seal rating
1:5 Tapered Shaft	\$ 40	Shaft Option - Call office for part number and availability
16.5mm 9T Splined Shaft	\$ 40	Shaft Option - Call office for part number and availability
5/8" 9T Splined Shaft	\$ 40	Shaft Option - Call office for part number and availability
4 Bolt Mount - 80mm Spigot	\$ 50	Mount Option - Call office for part number and availability
2 Bolt Mount KHD - 50mm Spigot	\$ 50	Mount Option - Call office for part number and availability
Modification	\$ 40	Modification - Special design charges may vary

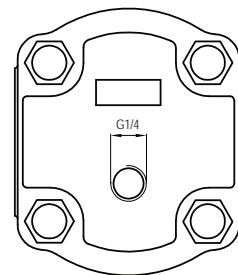
Front View - Euro 4 Bolt, 1:8 Tapered 543G Series



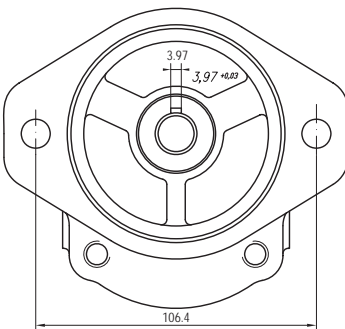
Side View - Euro 4 Bolt, 1:8 Tapered, BSPP 543G Series



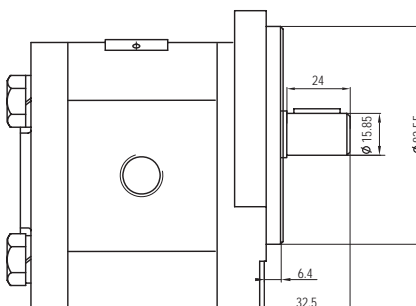
Rear View - With Drain Connection Represents all Group 2 Motors



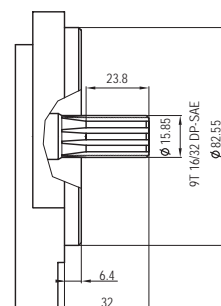
Front View - SAE A 2 Bolt, 5/8 Keyed 553G Series



Side View - SAE A 2 Bolt, 5/8 Keyed, BSPP 553G Series



Option - 5/8" 9T Splined 553G/9T Series



GEAR MOTORS GROUP 3



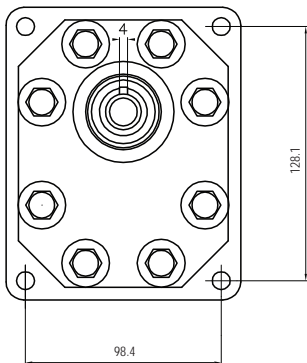
Standard: Bi-Rotational, **Ports** BSPP Threaded

1:8 Taper, 4 Bolt Euro		7/8" Keyed, SAE B 2 Bolt		Specifications					
Part.	List Price	Part.	List Price	CC/Rev	Ports - BSPP		Speed Max Cont RPM	Pressure Max Cont Bar	Weight Kg
					Suction	Pressure			
30MR20X568G	\$ 674	30MR20X237G	\$ 754	20	3/4"	3/4"	2500	200	8.3
30MR25X568G	\$ 687	30MR25X237G	\$ 767	25	3/4"	3/4"	2500	200	8.5
30MR32X568G	\$ 720	30MR32X237G	\$ 800	32	1"	1"	2500	200	9
30MR36X568G	\$ 735	30MR36X237G	\$ 815	36	1"	1"	2300	200	9.3
30MR42X568G	\$ 752	30MR42X237G	\$ 832	42	1"	1"	2300	200	9.6
30MR46X568G	\$ 760	30MR46X237G	\$ 840	46	1"	1"	2100	200	9.8
30MR50X568G	\$ 769	30MR50X237G	\$ 849	50	1"	1"	2100	200	9.9
30MR55X568G	\$ 784	30MR55X237G	\$ 864	55	1"	1"	1750	200	10.1
30MR60X568HG	\$ 804	30MR60X237HG	\$ 884	60	1"	1"	1750	180	10.3

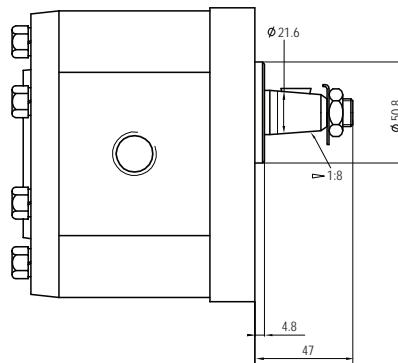
Seal Kits and Options

Part.	List Price	Description
GM3-SKV	\$ 94	Seal Kit with Viton Shaft Seal - Includes all seals for group 3 motors
GM3-SKT	\$ 122	Seal Kit High Pressure - Includes all seals for group 3 motors, 30 Bar shaft seal rating
GM3-SSV	\$ 35	Shaft Seal Viton - Shaft seal only, suitable for group 3 motors
GM3-SST	\$ 45	Shaft Seal High Pressure - Shaft seal only, suitable for group 3 motors, 30 Bar shaft seal rating
7/8" 13T Splined Shaft	\$ 40	Shaft Option - Call office for part number and availability
Modification	\$ 40	Modification - Special design charges may vary

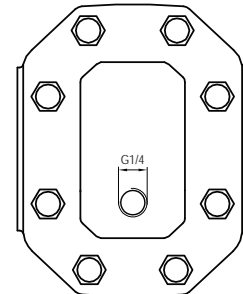
Front View - Euro 4 Bolt, 1:8 Tapered 568G Series



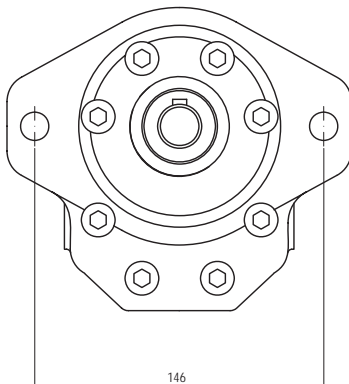
Side View - Euro 4 Bolt, 1:8 Tapered, BSPP 568G Series



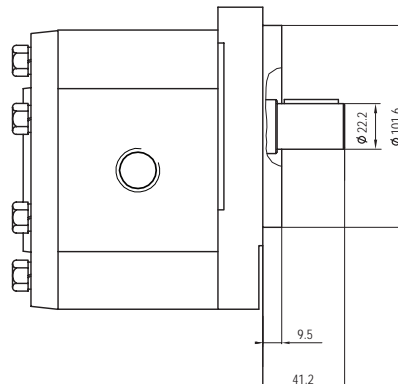
Rear View - With Drain Connection Represents all Group 3 Motors



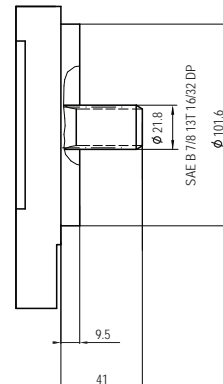
Front View - SAE B 2 Bolt, 7/8" Keyed 237G Series



Side View - SAE B 2 Bolt, 7/8" Keyed, BSPP 237G Series



Option - 7/8" 13T Splined 237G/13T Series



VANE PUMPS VARIABLE DISPLACEMENT, PRESSURE COMP

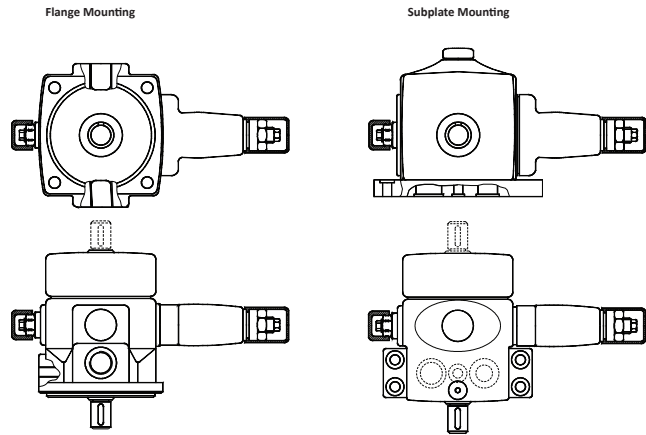


Standard: Mount Flange or Subplate Mounted

Flange Mounted		Subplate Mounted		Specifications					
Part.	List Price	Part.	List Price	CC/Rev	Ports - Flange Mount Only		Shaft Keyed mm	Speed Range RPM	Pressure Max Cont Bar
					Suction	Pressure			
PV2V3-30/ 12RA01MC100A1	\$ 1968	-	-	12	1/2"	3/8"	18	1000 -1800	100
PV2V3-30/ 25RA01MC100A1	\$ 2368	PV6V3-30/ 25RA08MC100A1	\$2460	25	3/4"	1/2"	19		100
PV2V3-20/ 40RA01MC100A1	\$ 3544	PV6V3-20/ 40RA08MC100A1	\$3668	40	1.1/8"	3/4"	28	100	
PV2V3-20/ 63RA01MC100A1	\$ 4262	PV6V3-20/ 63RA08MC100A1	\$4388	63	1.1/4"	1"	32	100	

Seal Kits

Part.	List Price	Description
PV-12	\$ 108	Seal Kit - To suit PV2V3-30/12
PV-25	\$ 138	Seal Kit - To suit PV2..-30/25
PV-40	\$ 170	Seal Kit - To suit PV2..-20/40
PV-63	\$ 187	Seal Kit - To suit PV2..-20/63



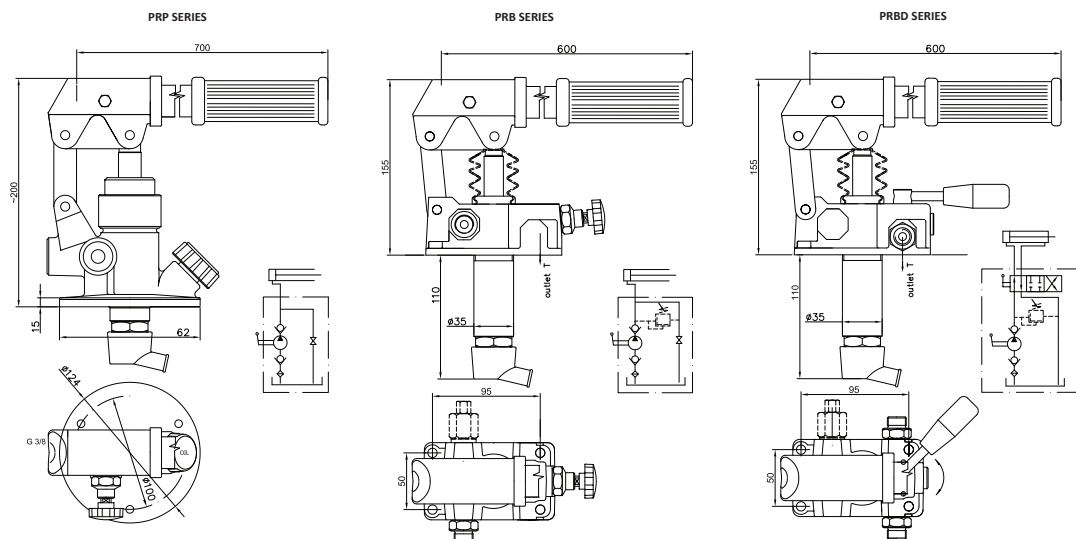
HAND PUMPS 12-25CC, SINGLE/DOUBLE ACTING, 3 & 5 LT TANKS

Standard: Pump Valve Ports 3/8" BSPP

Part Number & Pricing		Specifications				
Part.	List Price	CC/Rev	Handfunction	Outlet Ports BSPP - 3/8"	Pressure Bar	Weight Kg
PRP 12	\$ 344	12	Single Acting	Single Outlet	300	4.6
PRB 12	\$ 344	12	Double Acting	Single Outlet	320	4
PRBD 12	\$ 354	12	Double Acting	Double Outlet	320	4
PRP 25	\$ 344	25	Single Acting	Single Outlet	160	4.6
PRB 25	\$ 344	25	Double Acting	Single Outlet	250	4.2
PRBD 25	\$354	25	Double Acting	Double Outlet	250	4.2

OPTIONS - TANK

Part.	List Price	Litres
T3	\$ 90	3
T5	\$ 125	5



GEAR PUMP ROTATION RH TO LH ROTATION CHANGE

STEP 1



STEP 2



STEP 3



STEP 4



STEP 5



STEP 6



STEP 7



STEP 8



NOTE - BASIC GUIDE ONLY, PLEASE CONTACT OFFICE FOR MORE INFORMATION



**Factory 19 / 5 Lyn Parade PRESTONS NSW 2170
Ph: (02) 9607 4100 Fax: (02) 9607 4200**