



# MOBILE VALVES



[sales@samthydraulics.com.au](mailto:sales@samthydraulics.com.au)



[www.samthydraulics.com.au](http://www.samthydraulics.com.au)



# ***MOBILE VALVES***

## **CONTENTS**

**MONOBLOCK VALVES**

**LOG SPLITTER VALVES**

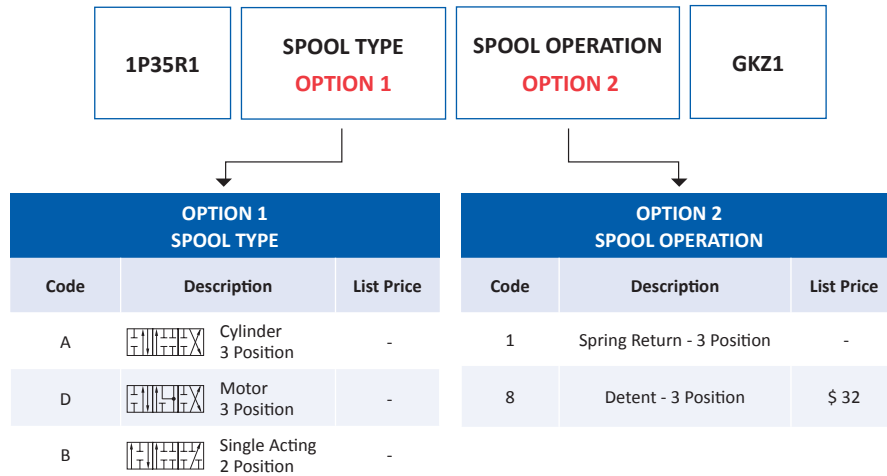
**DIVERTER VALVES**

**SELECTOR VALVES**

# P35 SERIES MONOBLOCK 35LT

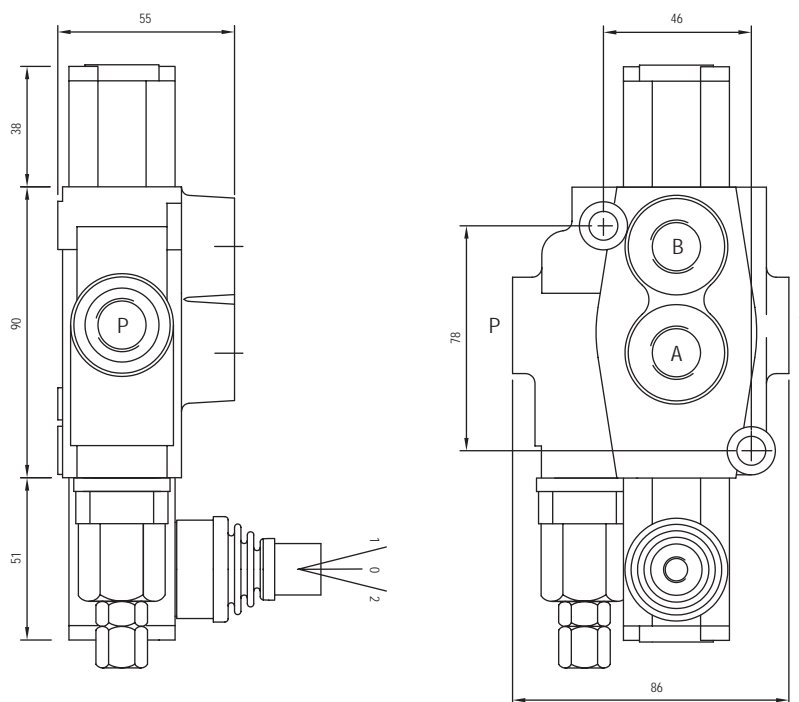


## Ordering Code System



**Standard:** Spool Cylinder, Spring Return, Ports 3/8" BSPP

Part Number & Pricing		Specifications						
Part.	List Price	Handles	Flow Max LPM	Pressure - Max Cont			Mounting 2 Holes mm	Weight Kg
				P Bar	T Bar	A & B Bar		
1P35R1A1GKZ1	\$ 155	1	35	250	50	300	9	1.9



# P40 SERIES MONOBLOCK 45LT

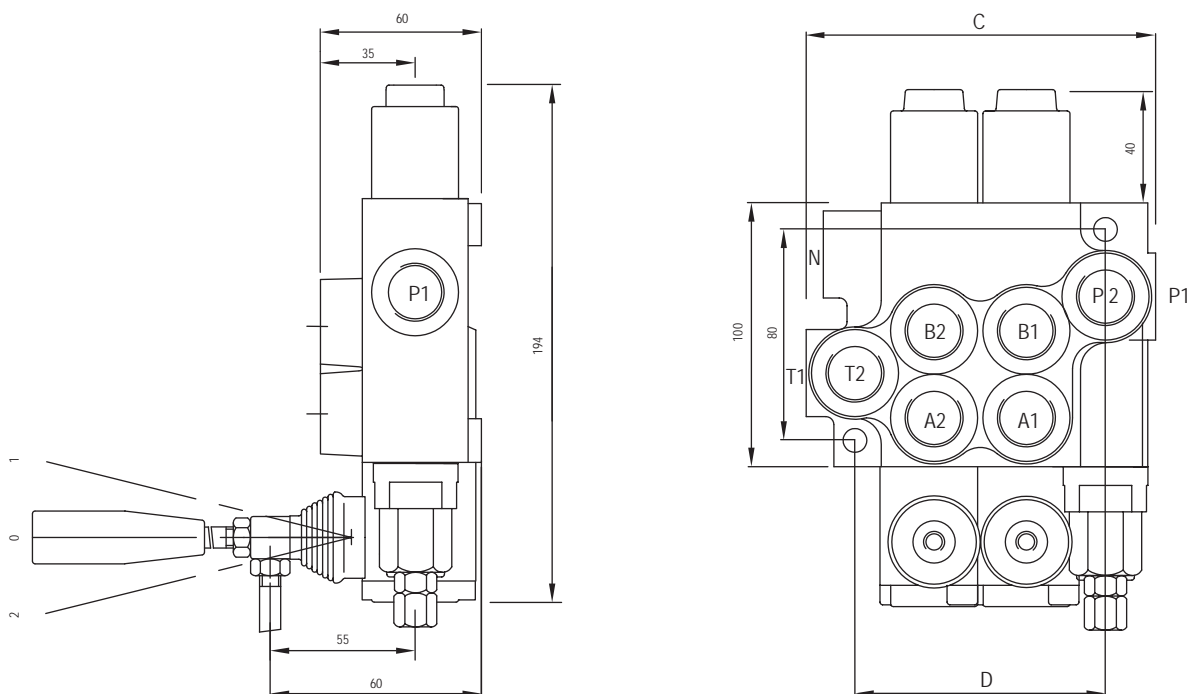


## Ordering Code System

HANDLES 1 - 7 Avail			P40R1			SPOOL TYPE OPTION 1			SPOOL OPERATION OPTION 2			VALVE CONTROL OPTION 3			GKZ1			PLUGS OPTION 4		
OPTION 1 SPOOL TYPE			OPTION 2 SPOOL OPERATION			OPTION 3 VALVE CONTROL			OPTION 4 PLUGS											
Code	Description	List Price	Code	Description	List Price	Code	Description	List Price	Code	Description	List Price									
A	Cylinder 3 Position	-	1	Spring Return - 3 Position	-	E	Micro Switch Kit	\$ 48	C2	Carry Beyond	\$ 13									
D	Motor 3 Position	-	2	Spring Out / Detent In - 3 Position	\$ 44	P	Pneumatic Kit	\$ 128	C	Closed Centre	\$ 9									
B	Single Acting 2 Position	-	4	Spring Return (Out) - 2 Position	\$ 13	JS	Joy Stick - 2 Spools	\$ 102												
L	Float Spool - 4 Position	\$ 114	5	Spring Return (In) - 2 Position	\$ 13															
			8	Detent - 3 Position	\$ 32															
			9	Detent (Out) - 2 Position	\$ 30															
			10	Detent (In) - 2 Position	\$ 30															

Standard: **Spool** Cylinder, Spring Return, **Ports** P, T, N, 1/2" BSPP A, B, 3/8" BSPP

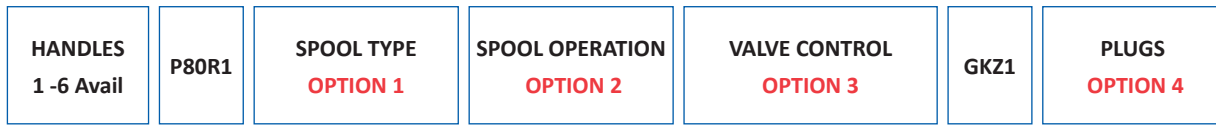
Part Number & Pricing		Specifications								
Part.	List Price	Handles	Flow Max LPM	Pressure - Max Cont			Mounting 2 Hole mm	Weight Kg	Dimensions for Drawing	
				P Bar	T Bar	A & B Bar			C	D
1P40R1A1GKZ1	\$ 192	1	45	250	50	300	9	2.5	85	60
2P40R1A1GKZ1	\$ 306	2	45	250	50	300	9	4.4	129	97
3P40R1A1GKZ1	\$ 436	3	45	250	50	300	9	5.8	164	132
4P40R1A1GKZ1	\$ 552	4	45	250	50	300	9	7	199	167
5P40R1A1GKZ1	\$ 687	5	45	250	50	300	9	8.4	234	202
6P40R1A1GKZ1	\$ 830	6	45	250	50	300	9	9.9	269	237
7P40R1A1GKZ1	\$ 963	7	45	250	50	300	9	11.5	304	272



# P80 SERIES MONOBLOCK 90LT



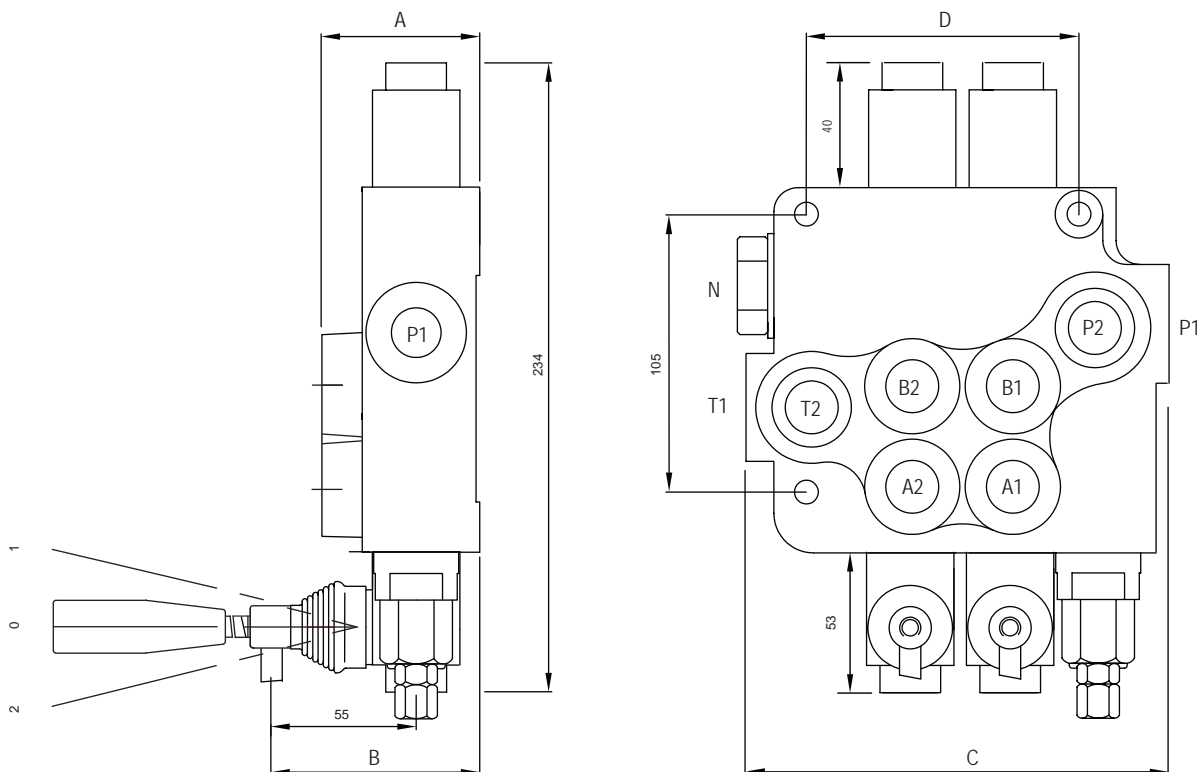
## Ordering Code System



OPTION 1 SPOOL TYPE			OPTION 2 SPOOL OPERATION			OPTION 3 VALVE CONTROL			OPTION 4 PLUGS		
Code	Description	List Price	Code	Description	List Price	Code	Description	List Price	Code	Description	List Price
A	Cylinder 3 Position	-	1	Spring Return - 3 Position	-	E	Micro Switch Kit	\$ 52	C2	Carry Beyond	\$ 22
D	Motor 3 Position	-	2	Spring Out / Detent In - 3 Position	\$ 48	P	Pneumatic Kit	\$ 132	C	Closed Centre	\$ 15
B	Single Acting 2 Position	-	4	Spring Return (Out) - 2 Position	\$ 15	JS	Joy Stick - 2 Spools	\$ 102			
L	Float Spool 4 Position	\$114	5	Spring Return (In) - 2 Position	\$ 15						
			8	Detent - 3 Position	\$ 36						
			9	Detent (Out) - 2 Position	\$ 30						
			10	Detent (In) - 2 Position	\$ 30						

Standard: **Spool** Cylinder, Spring Return, **Ports** P, A, B, 1/2" BSPP T, N, 3/4" BSPP

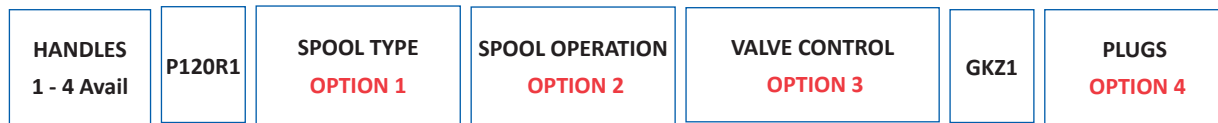
Part Number & Pricing		Specifications										
Part.	List Price	Handles	Flow Max LPM	Pressure - Max Cont			Mounting 3 Hole mm	Weight Kg	Dimensions for Drawing			
				P Bar	T Bar	A & B Bar			A	B	C	D
1P80R1A1GKZ1	\$ 301	1	90	250	50	300	9	3.8	65	79	107	65
2P80R1A1GKZ1	\$ 461	2	90	250	50	300	9	7.3	80	94	160	103
3P80R1A1GKZ1	\$ 621	3	90	250	50	300	9	9.5	80	94	198	141
4P80R1A1GKZ1	\$ 813	4	90	250	50	300	9	11.6	80	94	242	179
5P80R1A1GKZ1	\$ 1014	5	90	250	50	300	9	14.2	80	94	280	217
6P80R1A1GKZ1	\$ 1160	6	90	250	50	300	9	16.4	80	94	318	255



# P120 SERIES MONOBLOCK 150LT



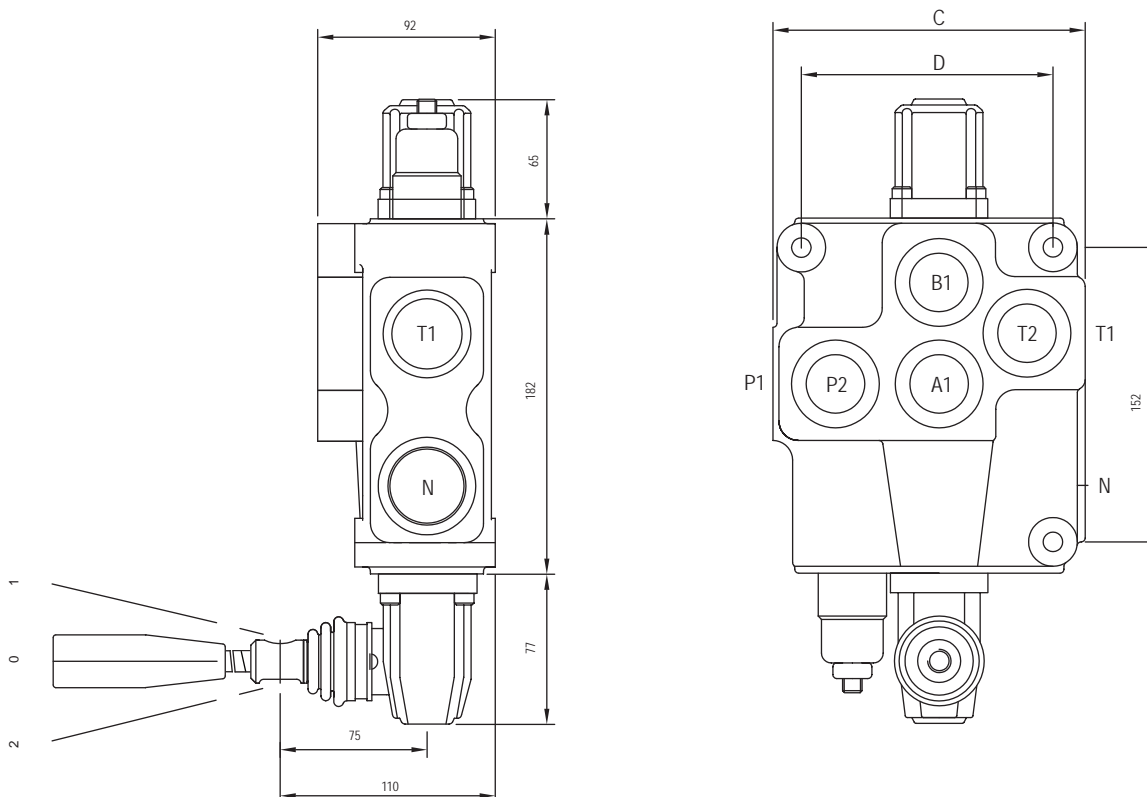
## Ordering Code System



OPTION 1 SPOOL TYPE			OPTION 2 SPOOL OPERATION			OPTION 3 VALVE CONTROL			OPTION 4 PLUGS		
Code	Description	List Price	Code	Description	List Price	Code	Description	List Price	Code	Description	List Price
A	Cylinder 3 Position	-	1	Spring Return - 3 Position	-	E	Micro Switch Kit	\$ 85	C2	Carry Beyond	\$ 25
D	Motor 3 Position	-	4	Spring Return (Out) - 2 Position	\$ 18	P	Pneumatic Kit	\$ 140	C	Closed Centre	\$ 21
B	Single Acting 2 Position	-	5	Spring Return (In) - 2 Position	\$ 18						
			8	Detent - 3 Position	\$ 45						
			9	Detent (Out) - 2 Position	\$ 38						
			10	Detent (In) - 2 Position	\$ 38						

Standard: **Spool** Cylinder, Spring Return, **Ports** P, T, A, B, N, 1" BSPP

Part Number & Pricing		Specifications								
Part.	List Price	Handles	Flow Max LPM	Pressure - Max Cont			Mounting 3 Hole mm	Weight Kg	Dimensions for Drawing	
				P Bar	T Bar	A & B Bar			C	D
1P120R1A1GKZ1	\$ 470	1	150	250	50	300	10	13.5	160	129
2P120R1A1GKZ1	\$ 640	2	150	250	50	300	10	19.2	213	182
3P120R1A1GKZ1	\$ 850	3	150	250	50	300	10	24.9	266	235
4P120R1A1GKZ1	\$ 1060	4	150	250	50	300	10	30.6	319	288

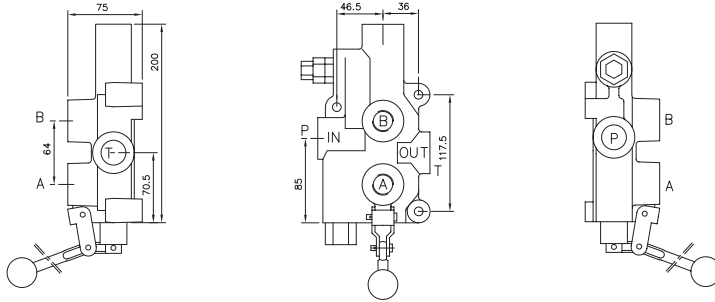


# LOG SPLITTER VALVES P81 SERIES, AUTO KICK OUT

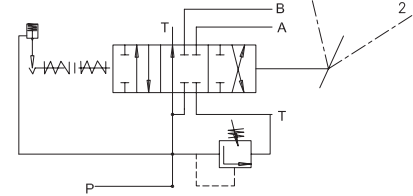


Part Number & Pricing		Specifications							
Part.	List Price	Ports		Flow LPM	Pressure - Max Cont			Mounting 3Hole mm	Weight Kg
		P & T BSPP	A & B BSPP		P Bar	T Bar	A & B Bar		
P81A2G	\$ 234	3/4"	1/2"	80	250	50	300	9	4.8

Side & Top Views - P81 Series



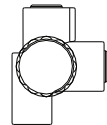
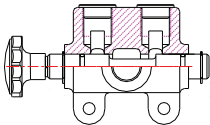
Scematic



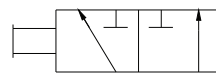
# SELECTOR VALVES SV SERIES, MANUAL OPERATED

Part Number & Pricing		Specifications				
Part.	List Price	Ports BSPP	Flow LPM	Pressure Max Cont Bar	Mounting 2Hole mm	Weight Kg
SV80AG12K	\$ 128	1/2"	75	210	9	1.4
SV120AG34K	\$ 198	3/4"	113	210	9	2.4

Top & Side Views - SV Series



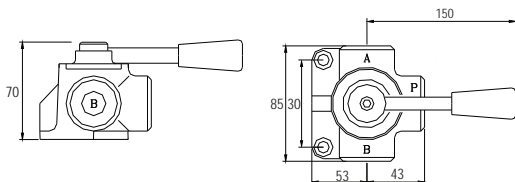
Scematic - Crossover



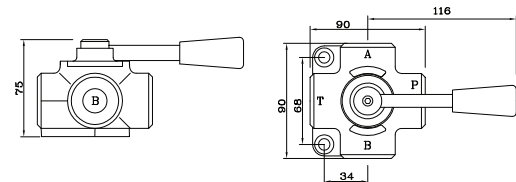
# DIVERTER VALVES 3WAY & 4WAY, HANDLE OPERATED

Part Number & Pricing		Specifications					
Part.	List Price	Ports BSPP	Function	Flow LPM	Pressure Max Cont Bar	Mounting 2Hole mm	Weight Kg
358-30-12	\$ 114	1/2"	3 Way - Closed Centre	90	250	10.5	1.5
358-31-12	\$ 114	1/2"	3 Way - Open Centre	90	250	10.5	1.5
303-40-12	\$ 119	1/2"	4 Way - Closed Centre	60	320	10.5	2.1
303-43-12	\$ 119	1/2"	4 Way - Open Centre	60	320	10.5	2.1

Side & Top Views - 3 Way, 358 Series



Side & Top Views - 4 Way, 303 Series



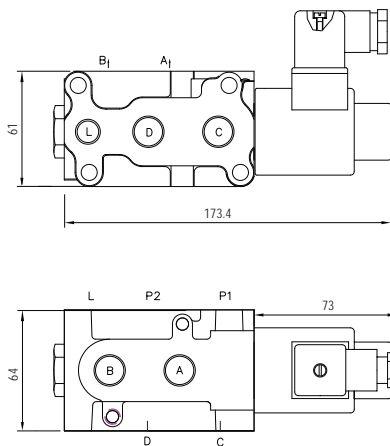


# SELECTOR VALVES 6 PORT SELECTOR, STACKABLE, 50LT

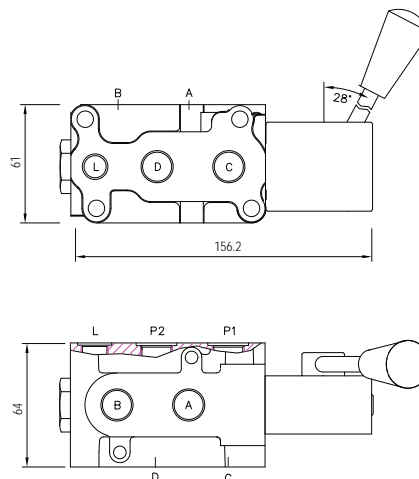
Standard: Handle or Solenoid Operated, Ports 3/8" BSPP

Part Number & Pricing		Specifications							
Part.	List Price	No. Valves	Handle / Solenoid	Voltage DC	Flow LPM	Pressure		Mounting(Top) 2 Holes mm	Weight Kg
						With Drain Bar	Without Drain Bar		
1DVS6-6/2-L-12DC-G38-02	\$ 260	1	Solenoid	12	50	315	210	6.5	2.7
1DVS6-6/2-L-24DC-G38-02	\$ 260	1	Solenoid	24	50	315	210	6.5	2.7
DVH-6/2-A11-GKZ1R	\$ 260	1	Handle	-	50	315	210	6.5	2.6

Side & Top View - Solenoid Operated



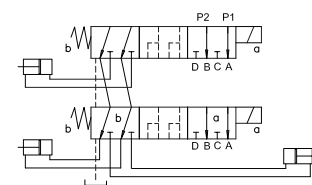
Side & Top View - Handle Operated



Single Valve - Schematic



Dual Valve - Schematic

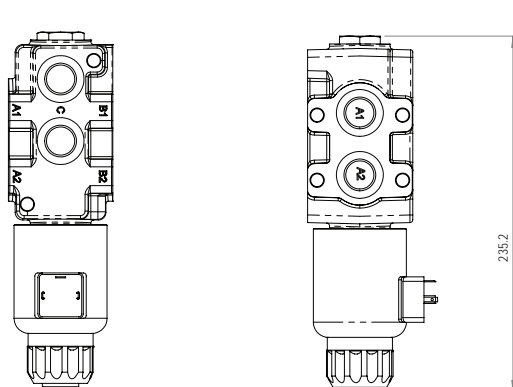


# SELECTOR VALVES 6 PORT SELECTOR, STACKABLE, 90LT

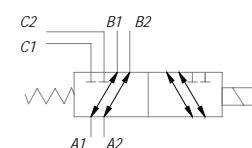
Standard: Solenoid Operated, Ports 1/2" BSPP

Part Number & Pricing		Specifications					
Part.	List Price	No. Valves	Voltage DC	Flow LPM	Pressure Bar	Mounting(Top) 2 Hole mm	Weight Kg
1SVV6/2-24DC-G-12	\$ 348	1	24	90	250	8.5	4.4

Side & Top Views - Solenoid Operated



Single Valve - Schematic





# **SAMT**



**H Y D R A U L I C S**

**Factory 19 / 5 Lyn Parade PRESTONS NSW 2170**  
**Ph: (02) 9607 4100 Fax: (02) 9607 4200**