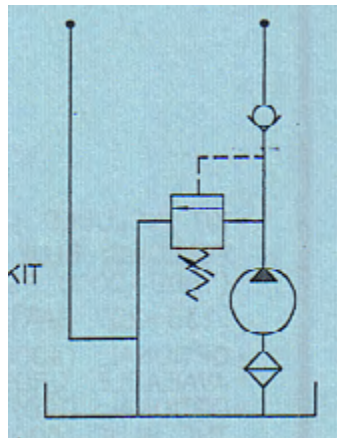
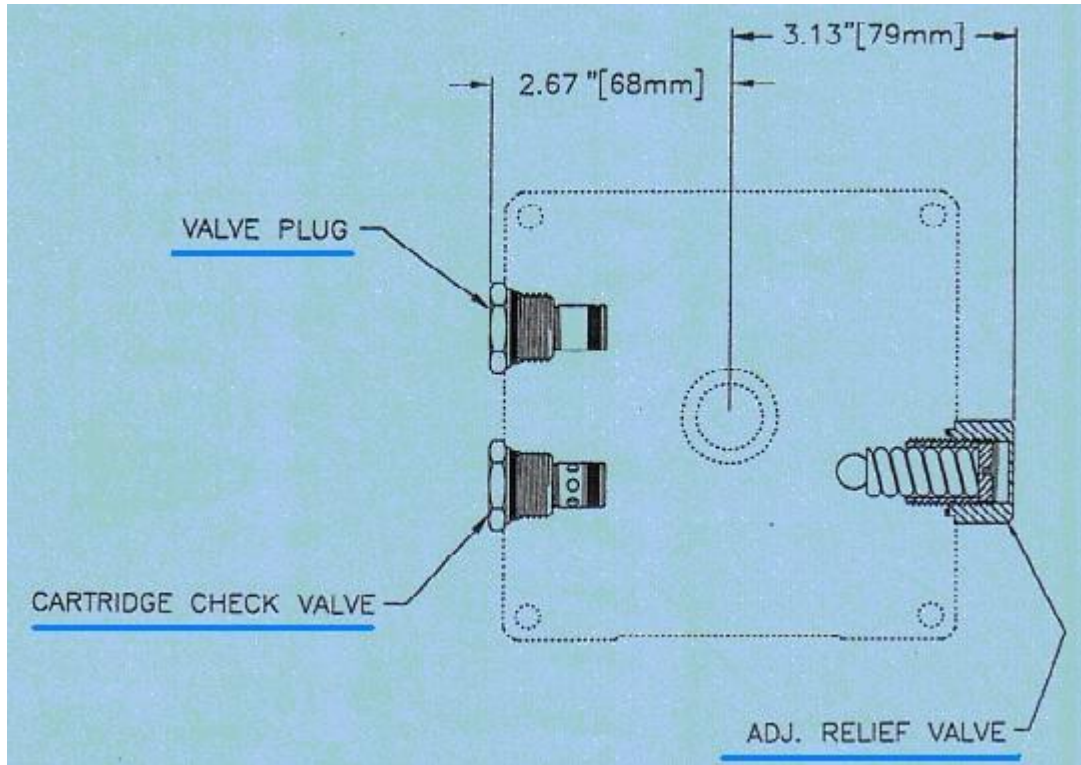


## RELIEF & CHECK VALES (END HEAD N10)



Circuit Diagram (Relief & Check Valve Kit C07)

- KIT INCLUDES 4 COLOR-CODED RELIEF SPRINGS AS FOLLOWS: BLUE (500-1000 PSI)[34.5-69 BAR], GREEN (1000-2000 PSI)[69-138 BAR], RED (2000-3000 PSI)[138-207 BAR], BLACK (3000-4000 PSI)[207-276 BAR].

## METRIC FOOTMOUNTS END HEAD B.S.P.P PORTS (END HEAD N10)

# Fenner

