

M319

Single acting solenoid

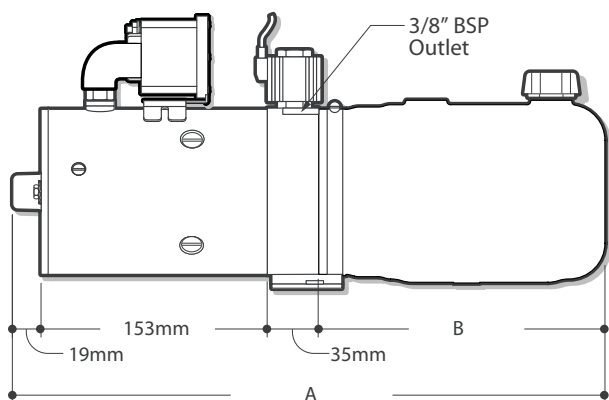
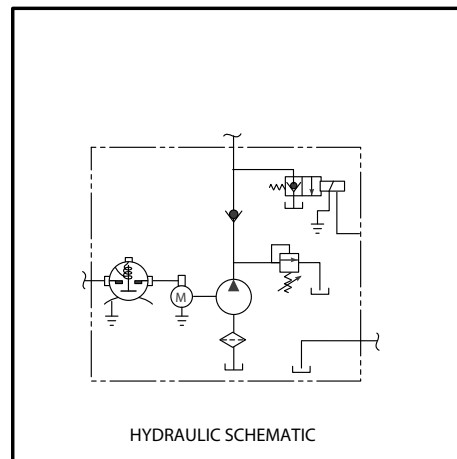
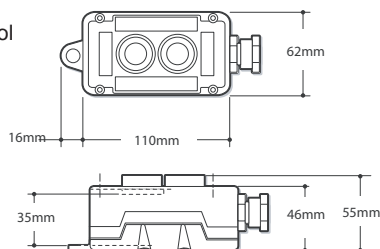
Description:

- Pump/Motor/Reservoir/Valve
- Check Valve
- 2-Way/2-Position Normally Closed Solenoid Operated Lowering Valve
- Externally Adjustable Relief Valve
- 3/8" BSP Outlet
- Horizontal Mounting Standard

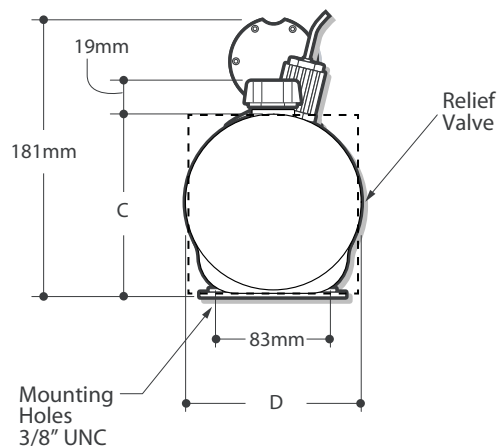
Option:

Push-button pendant control
c/w 2 metres cable

Model: 07993



SIDE VIEW



END VIEW

ORDERING CODE: **M319.14157.12V**

12V or 24V DC

TANK	VOLUME litres	TYPE material / shape	A	B	C	D
			mm			
14157	3.2	Poly □	461	254	152	165
6148	3.8	Steel ○	486	279	159	153
14166	4.7	Poly □	486	279	184	170
6864	8.3	Steel □	658	451	159	184
6888	11.7	Steel □	811	604	159	184

Specifications subject to change without notice

04/08/2008