

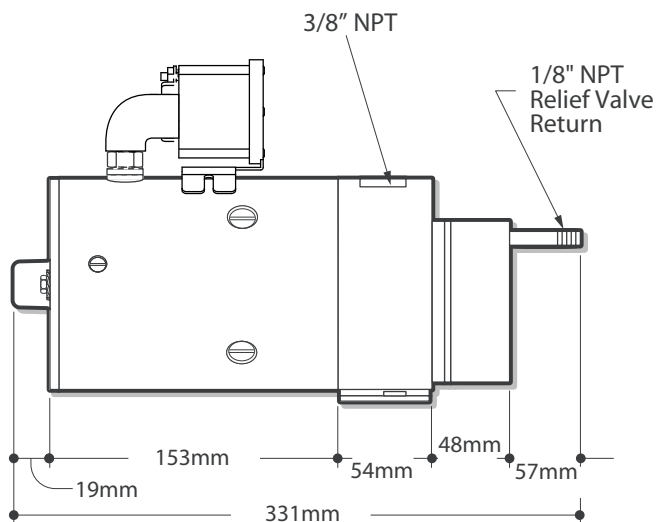
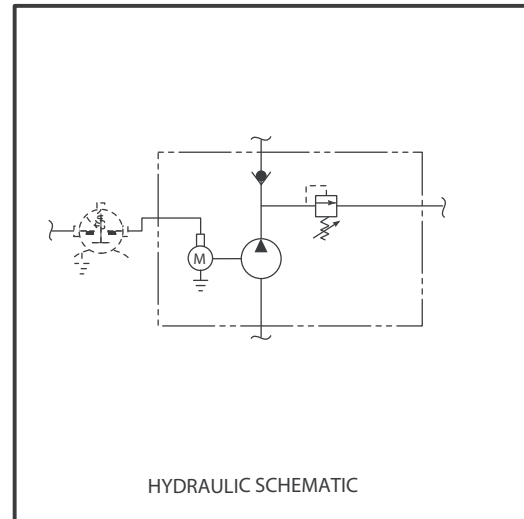
M326

Motor pump unit

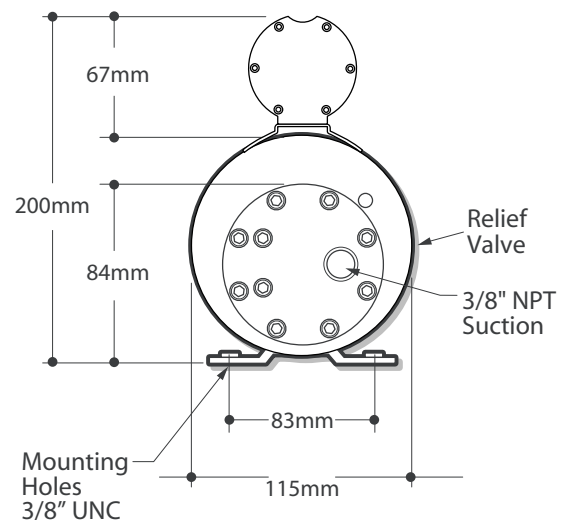


Description:

- Pump Motor Unit
- Check Valve
- Externally Adjustable Relief Valve
- 3/8" NPT Suction
- 3/8" NPT Outlet
- 1/8" NPT Relief Valve Return Port



SIDE VIEW



END VIEW

ORDERING CODE: **M326.12V**

12V or 24V DC

Specifications subject to change without notice

04/08/2008