

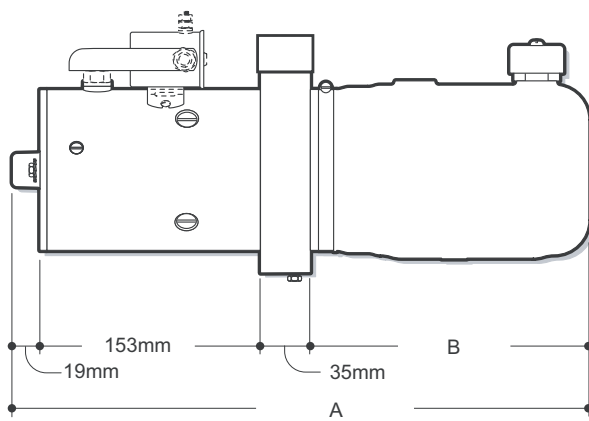
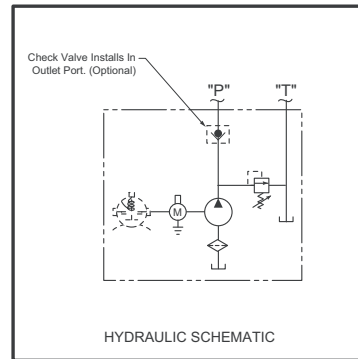


# M3504

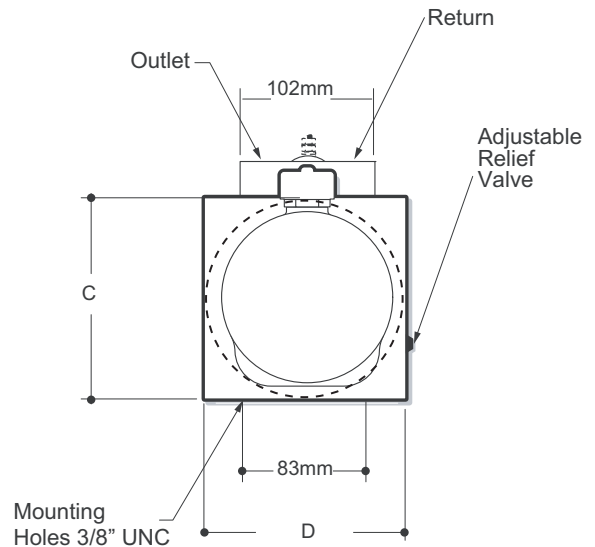
## Motor pump tank unit

**Description:**

- Add Standard or Custom Manifolds to a Basic Power Unit with "P" and "T" Ports.
- Modular Manifolds Mount to Standard Pad. Allow for a Building Block Approach to Power Unit Flexibility and Circuit Design.
- For Use With All Monarch Pumps, Motors, and Reservoirs. Note - A spacer may be required with certain reservoirs, on others the valve package may cover reservoir fill and return ports - consult factory.



SIDE VIEW



END VIEW

**ORDERING CODE: M3504.14157.12V**

12V or 24V DC

TANK	VOLUME litres	TYPE material / shape	A	B	C	D
			mm			
14157	3.2	Poly □	461	254	152	165
6148	3.8	Steel ○	486	279	159	153
14166	4.7	Poly □	486	279	184	170
6864	8.3	Steel □	658	451	159	184
6888	11.7	Steel □	811	604	159	184

Specifications subject to change without notice

04/08/2008