
INTERMOT DUAL DISPLACEMENT MOTORS

IAC SERIES

H1 MODEL

IAC 195/S
195/BH

IAC 250/S
250/BH

INDEX

IAC 195/S-250/S H1 D40 - - - - -	<i>Pag.</i> 16
IAC 195/BH-250/BH H1 D40 - - - - -	" 17
IAC 195/S-250/S H1 D47 C3 SV - - - - -	" 18
IAC 195/BH-250/BH H1 D47 C3 SV - - - - -	" 19
IAC 195/S-250/S H1 D47 C3-24 SV - - - - -	" 20
IAC 195/BH-250/BH H1 D47 C3-24 SV - - - - -	" 21
ORDERING INSTRUCTIONS - - - - -	" 22

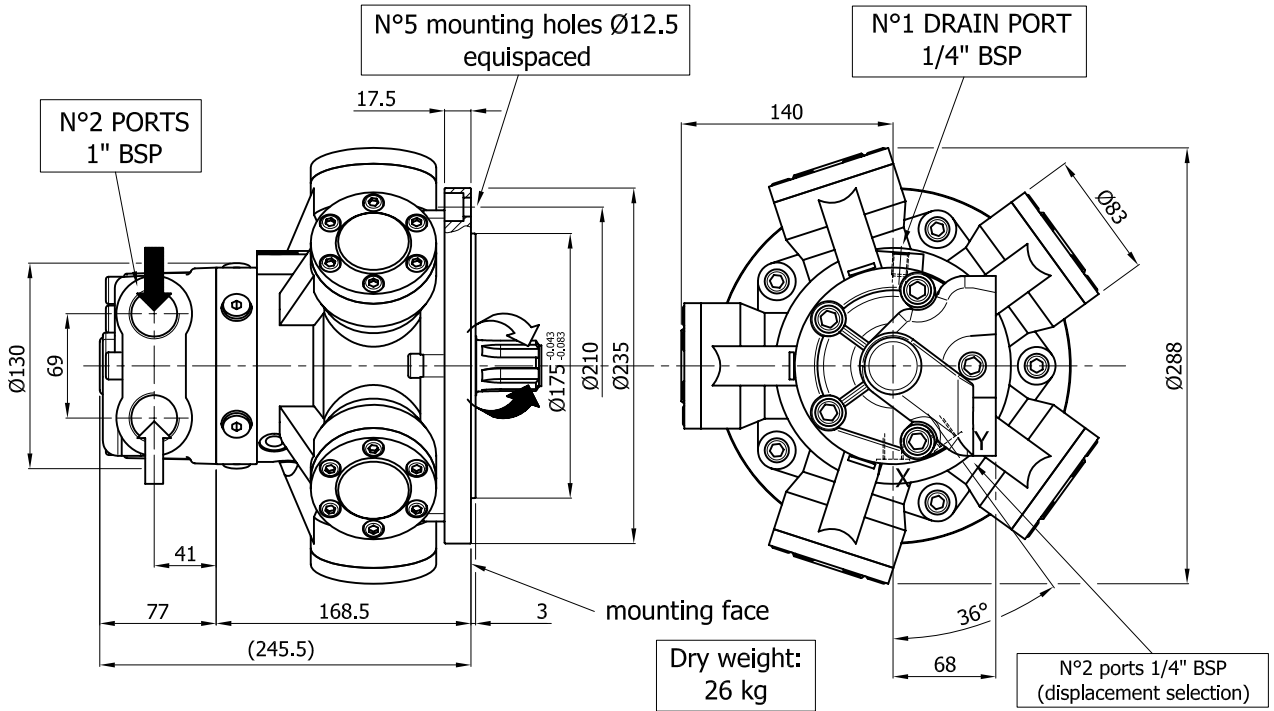


Factory 19 / 5 Lyn Parade PRESTONS NSW 2170
Ph: (02) 9607 4100 Fax: (02) 9607 4200

INTERCHANGEABLE WITH GM1

SIZE

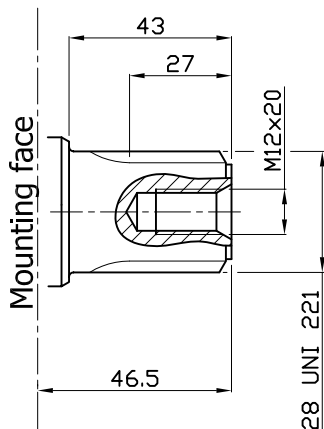
IAC 195/S-250/S H1 D40



SHAFT

IAC 195/S-250/S H1 D40

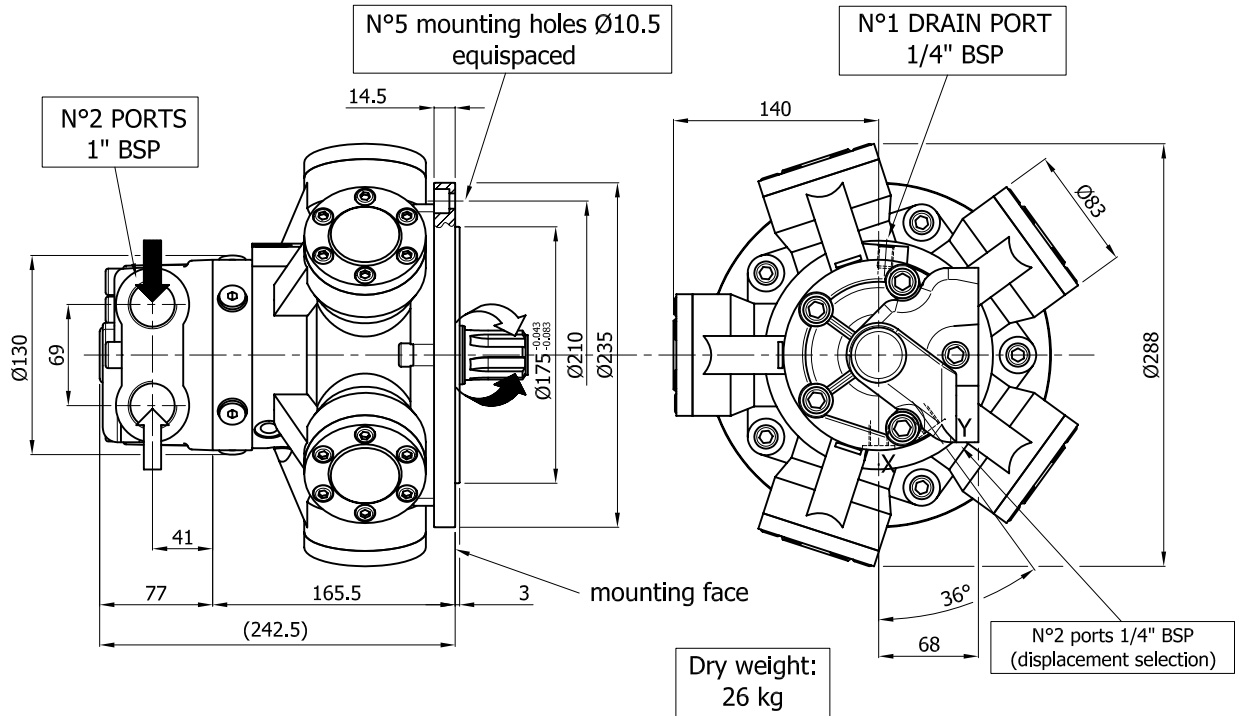
A0: Standard splined shaft



INTERCHANGEABLE WITH BH

SIZE

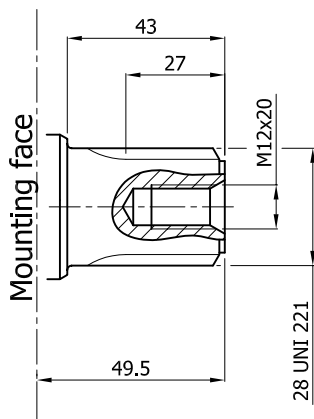
IAC 195/BH-250/BH D40 H1



SHAFT

IAC 195/BH-250/BH D40 H1

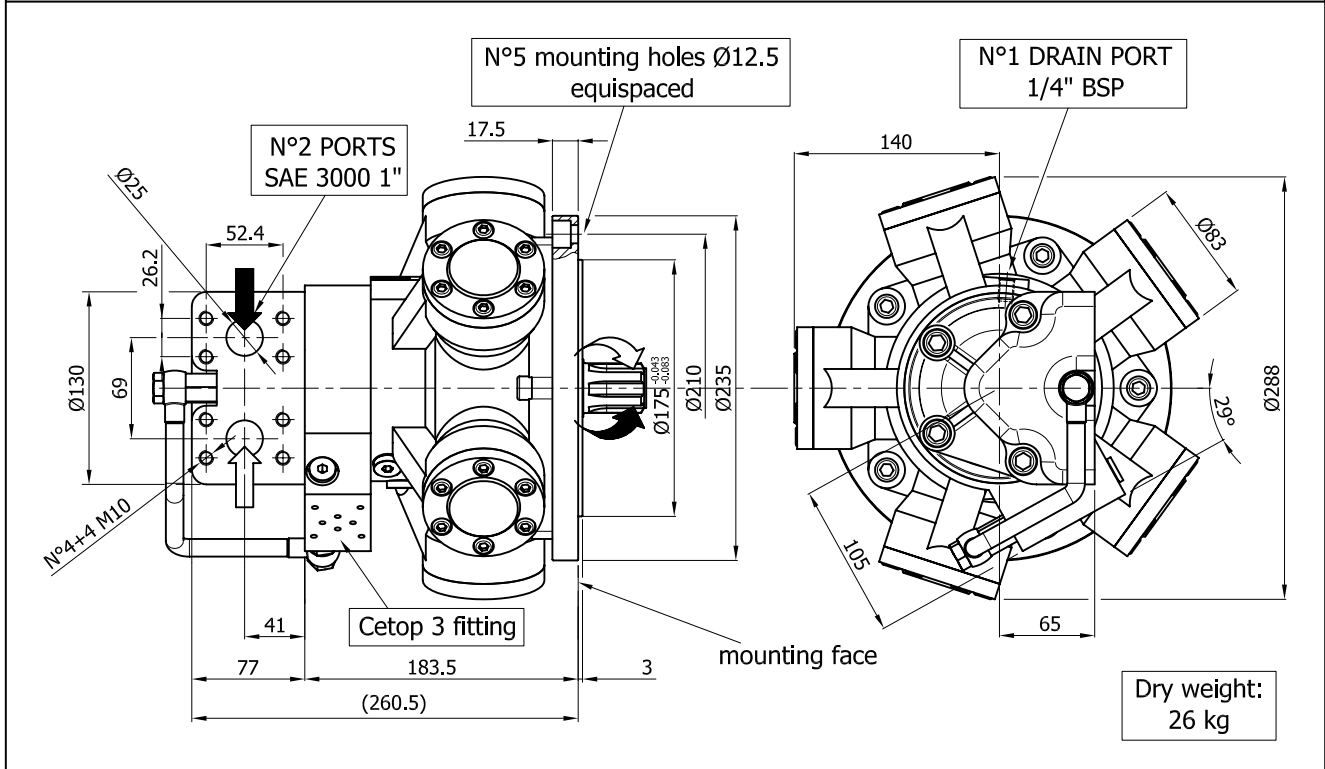
A0: Standard splined shaft



INTERCHANGEABLE WITH GM1

SIZE

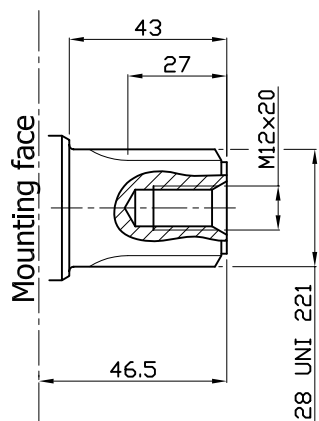
IAC 195/S-250/S H1 D47 C3 SV



SHAFT

IAC 195/S-250/S H1 D47 C3 SV

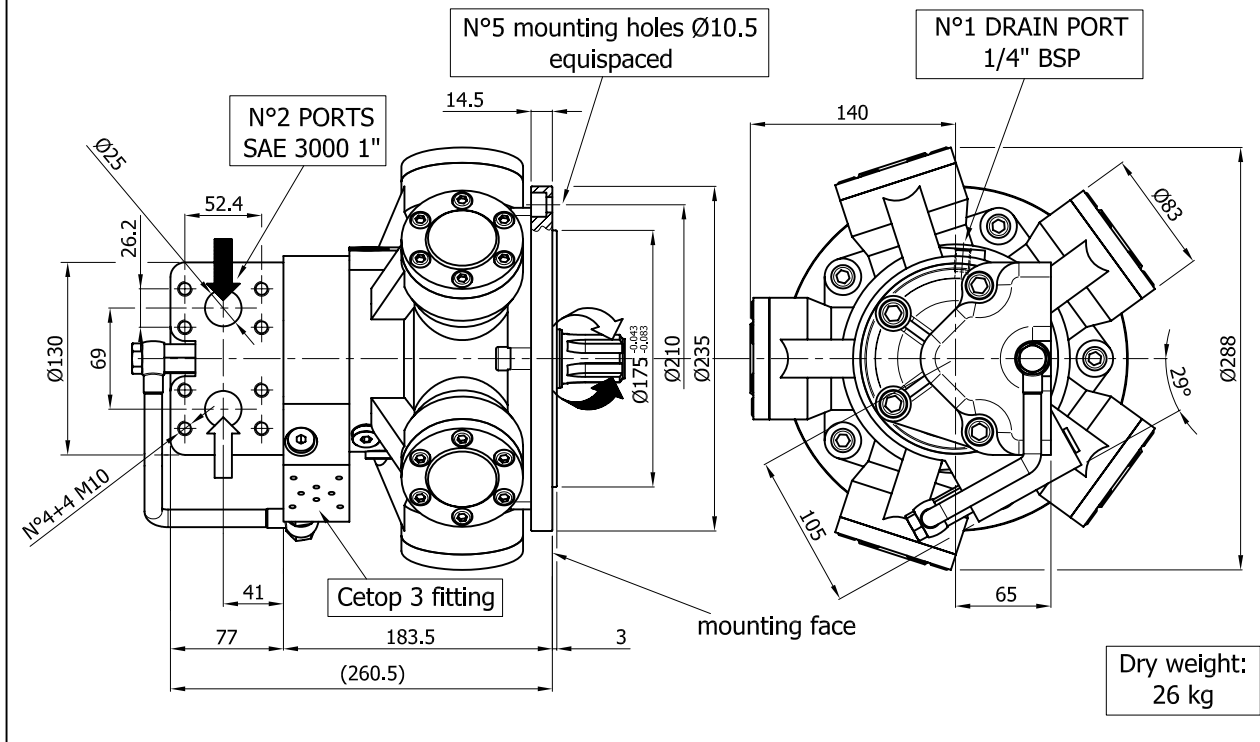
A0: Standard splined shaft



INTERCHANGEABLE WITH BH

SIZE

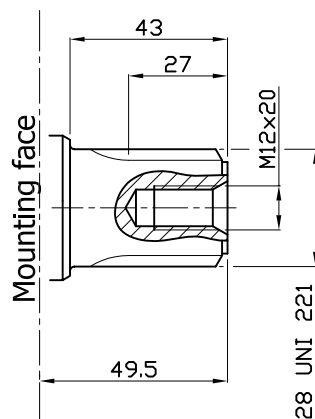
IAC 195/BH-250/BH H1 D47 C3 SV



SHAFT

IAC 195/BH-250/BH H1 D47 C3 SV

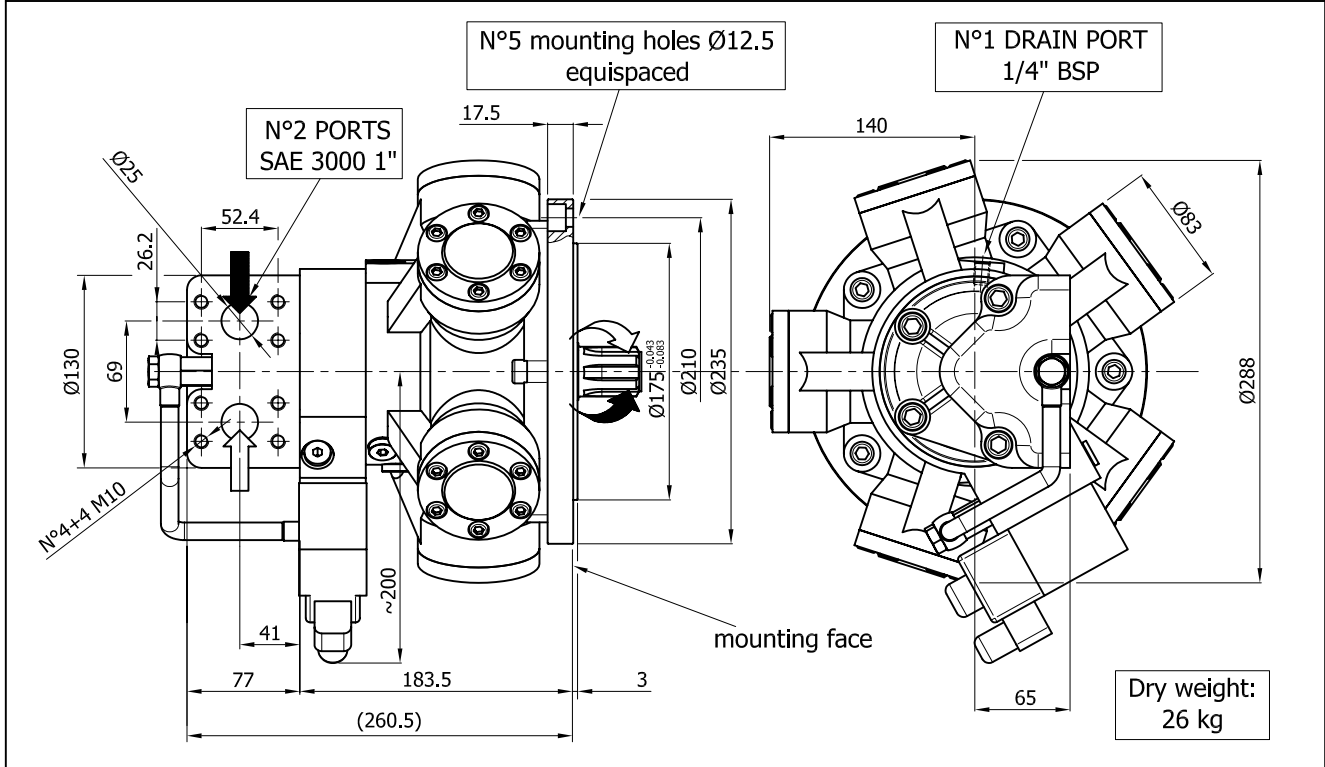
A0: Standard splined shaft



INTERCHANGEABLE WITH GM1

SIZE

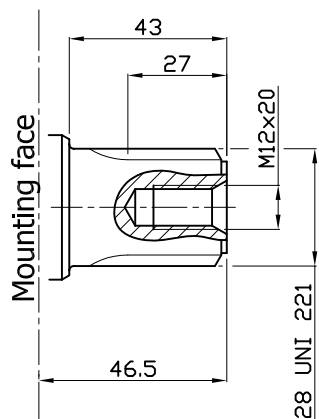
IAC 195/S-250/S H1 D47 C3-24 SV



SHAFT

IAC 195/S-250/S H1 D47 C3-24 SV

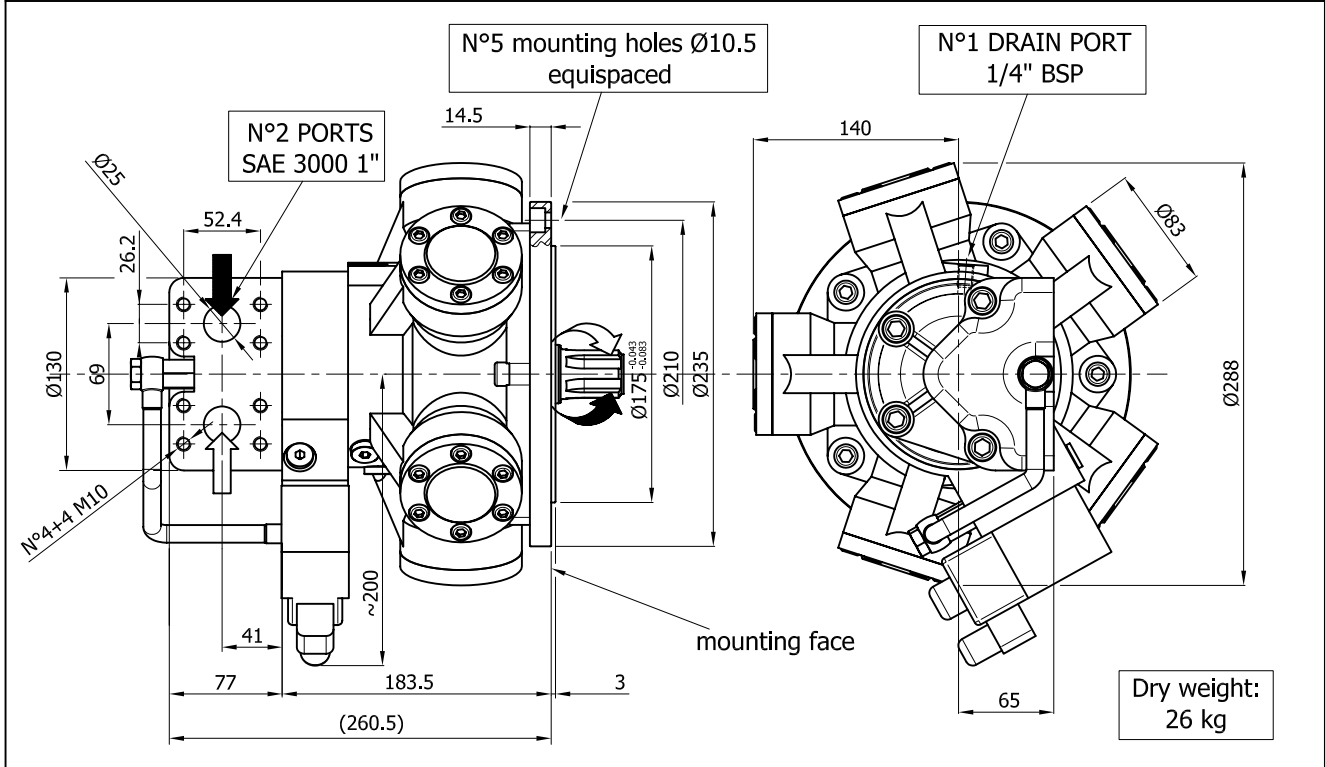
A0: Standard splined shaft



INTERCHANGEABLE WITH BH

SIZE

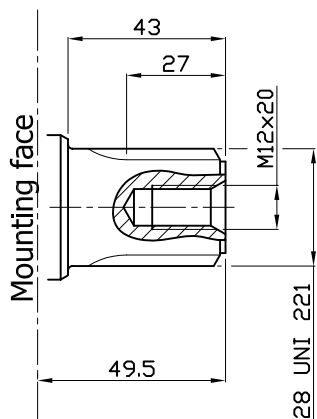
IAC 195/BH-250/BH H1 D47 C3-24 SV



SHAFT

IAC 195/BH-250/BH H1 D47 C3-24 SV

A0: Standard splined shaft



ORDERING INSTRUCTIONS IAC H1

	IAC --	/-	H1	A -	D --	---	---	SV	SB -	---	---	---
Motor model	↑											
IAC 195												
IAC 250												
Motor interchangeability	↑											
/BH												
/S												
Housing	↑											
H1												
Shaft	↑											
A0 standard splined shaft												
Distributor	↑											
D40 (1" BSP)												
D47 (SAE 3000 1")												
Tachometer (optional)	↑											
TA												
TB												
EST												
EST.30												
J TACHOMETER PREDISPOSITION												
Cetop 3 fitting (optional, available only with D47)	↑											
C3 (Cetop 3 fitting)												
C3-12 (Cetop 3 fitting, with 12V DC valve included)												
C3-24 (Cetop 3 fitting, with 24V DC valve included)												
Shuttle valve (optional)	↑											
SV (available only with D47 distributor)												
Spline billet (optional)	↑											
SB14												
Valves (optional)	↑											
RVDA												
OVSA (see valve section for details and complete ordination code)												
OVDA												
ORVSA												
RVDAP												
Special features (optional)	↑											
01 (Viton seals)												
02 (Oxynit treatment on the external motor surface)												
03 (Nitemper treatment on cylinder bores)												
Displacements	↑											
MAX-MIN (MAXIMUM AND MINIMUM DISPLACEMENT OF MOTOR)												

IAC 250 H1	Max displacement range: 257-150 cc/Rev Min displacement range: 132-95 cc/Rev
IAC 195 H1	Max displacement range: 195-75 cc/Rev Min displacement range: 100-69 cc/Rev

Different displacements on request

EXAMPLE: IAC.195/S.H1.A0.D47.C3-24.01.257-95
 IAC.250/S.H1.A0.D40.TA.175-69
 IAC.250/BH.H1.A0.D47.C3.03.150-75

INTERMOT DUAL DISPLACEMENT MOTORS

IAC SERIES

H3 MODEL

IAC 500

IAC 500/B30

INDEX

IAC 500 H3 D40 - - - - -	Pag.	24
IAC 500/B30 H3 D40 - - - - -	"	25
IAC 500 H3 D47 C3 SV - - - - -	"	26
IAC 500/B30 H3 D47 C3 SV - - - - -	"	27
IAC 500 H3 D47 C3-24 SV - - - - -	"	28
IAC 500/B30 H3 D47 C3-24 SV - - - - -	"	29
ORDERING INSTRUCTIONS - - - - -	"	30

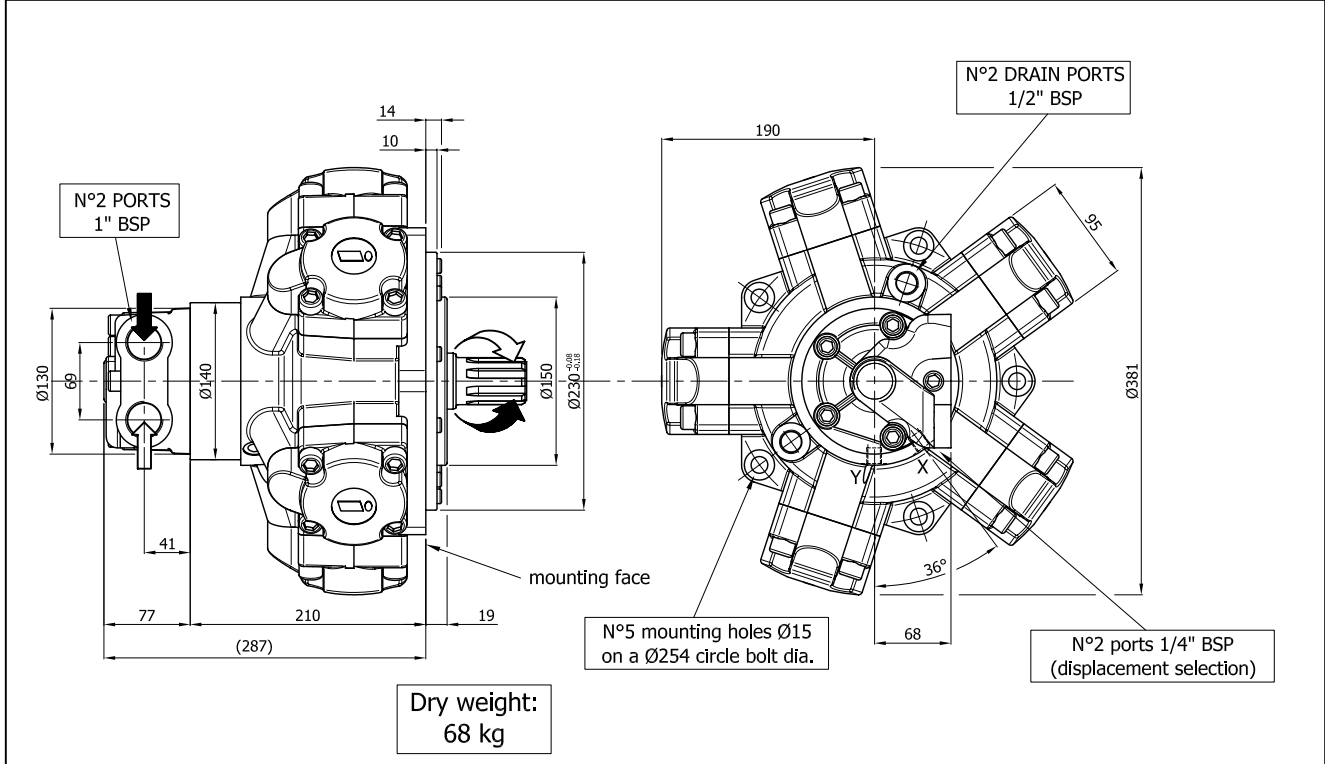


Factory 19 / 5 Lyn Parade PRESTONS NSW 2170

Ph: (02) 9607 4100 Fax: (02) 9607 4200

SIZE

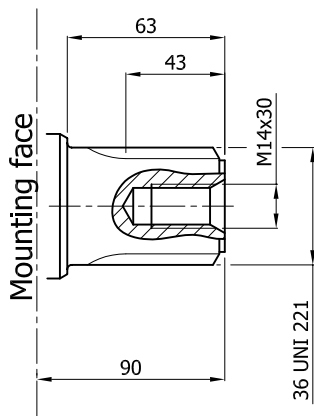
IAC 500 H3 D40



SHAFT

IAC 500 H3 D40

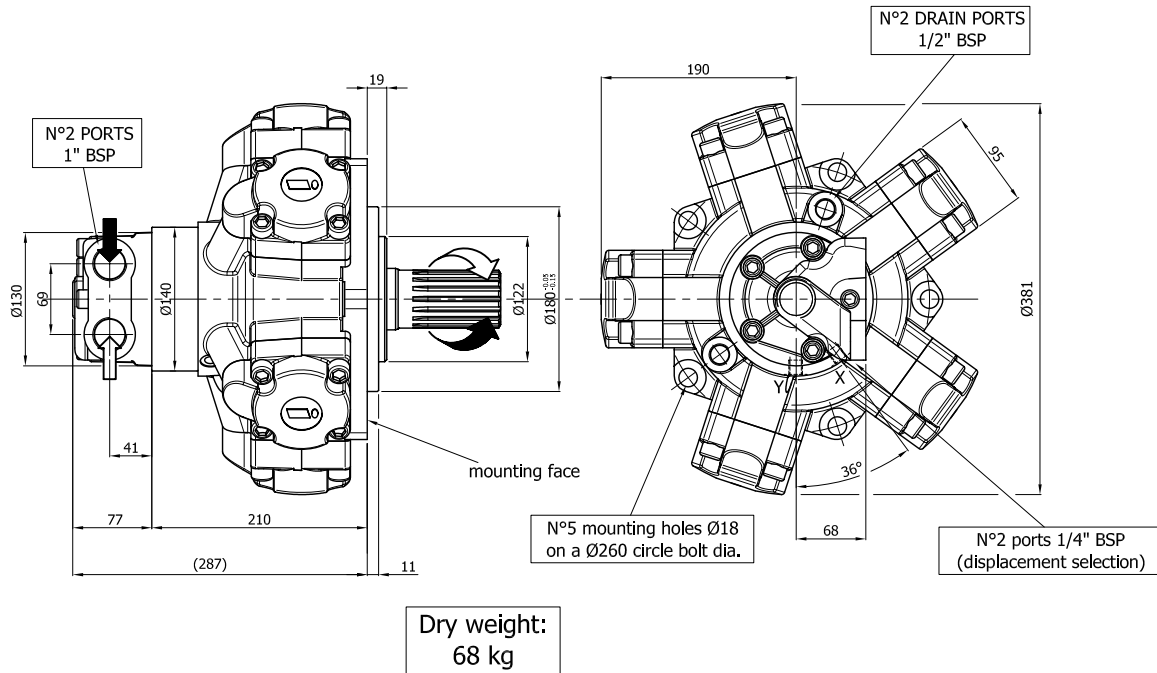
A0: Standard splined shaft



INTERCHANGEABLE WITH HMC30

SIZE

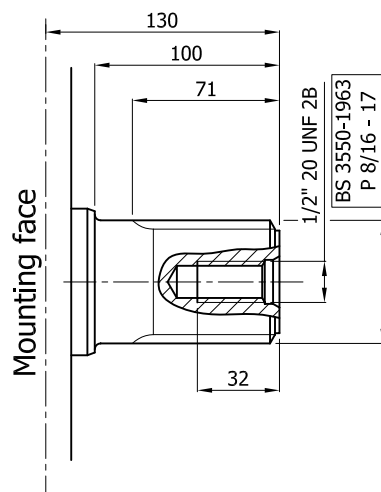
IAC 500/B30 H3 D40



SHAFT

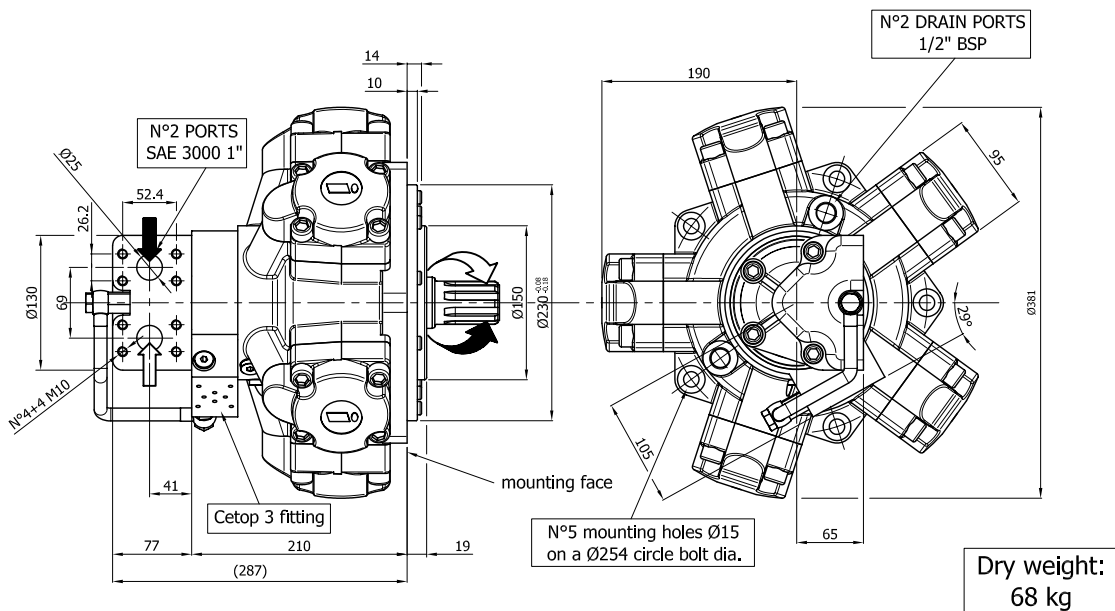
IAC 500/B30 H3 D40

A1: Splined shaft



SIZE

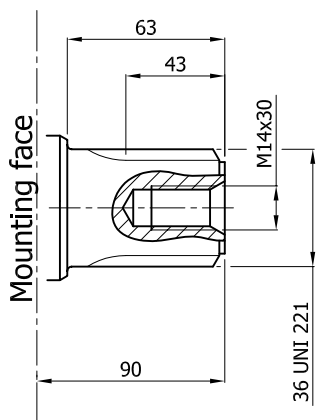
IAC 500 H3 D47 C3 SV



SHAFT

IAC 500 H3 D47 C3 SV

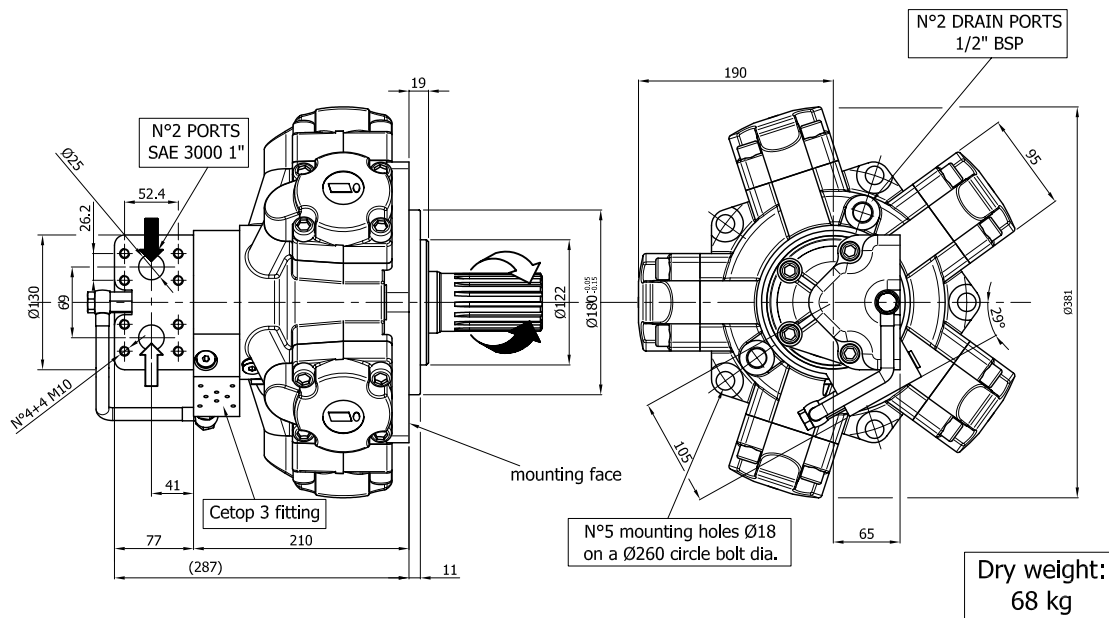
A0: Standard splined shaft



INTERCHANGEABLE WITH HMC30

SIZE

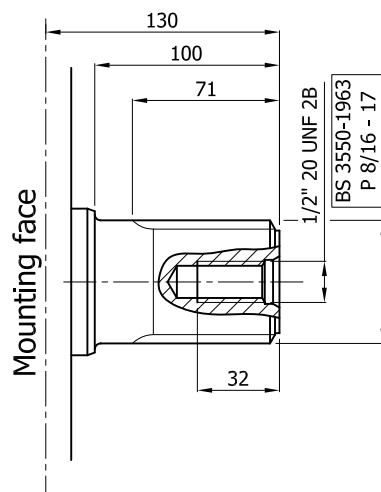
IAC 500/B30 H3 D47 C3 SV



SHAFT

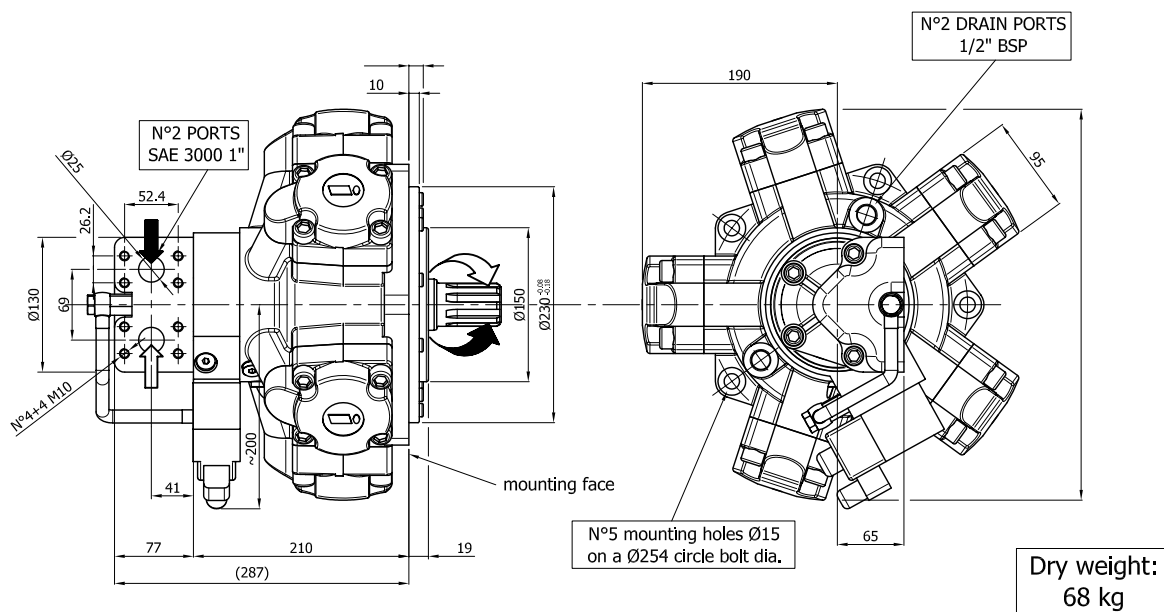
IAC 500/B30 H3 D47 C3 SV

A1: Splined shaft



SIZE

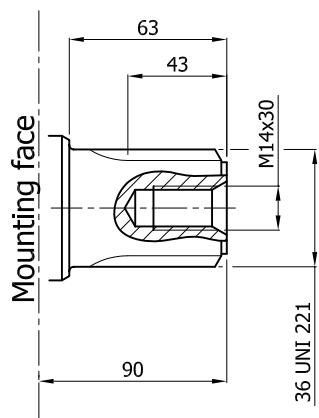
IAC 500 H3 D47 C3-24 SV



SHAFT

IAC 500 H3 D47 C3-24 SV

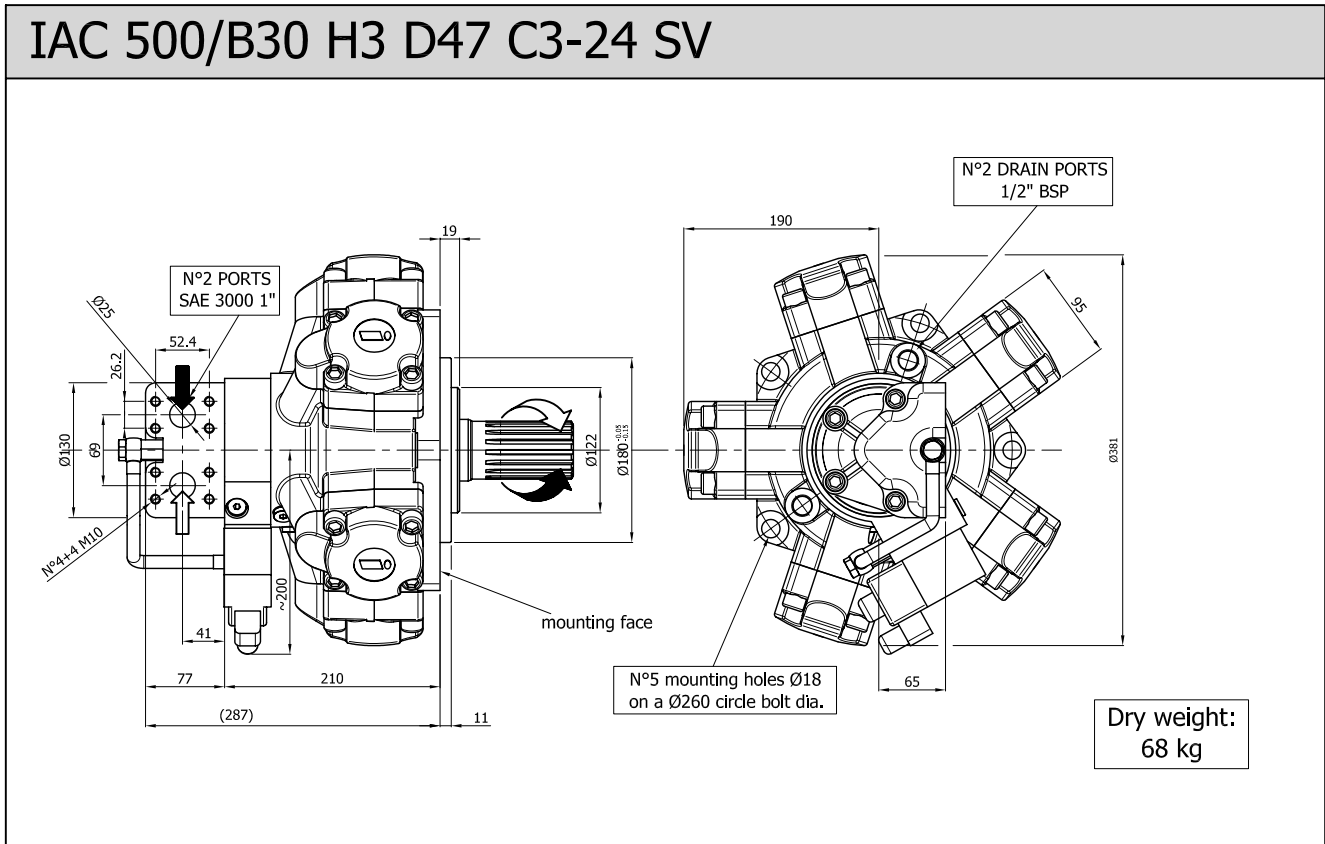
A0: Standard splined shaft



INTERCHANGEABLE WITH HMC30

SIZE

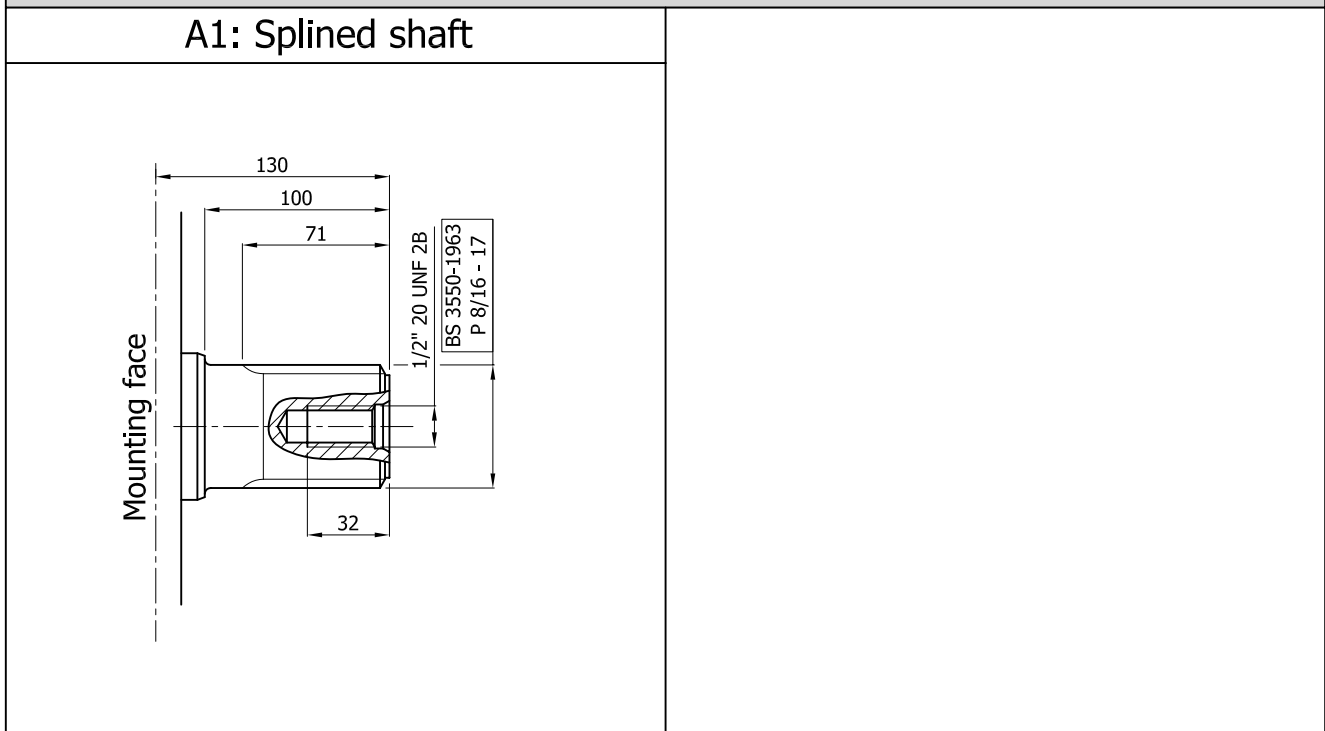
IAC 500/B30 H3 D47 C3-24 SV



SHAFT

IAC 500/B30 H3 D47 C3-24 SV

A1: Splined shaft



ORDERING INSTRUCTIONS

H3

	IAC - -	/-	H1	A -	D - -	- - -	- - -	SV	SB -	- - -	- - -	- - -
Motor model IAC 500												
Motor interchangeability /B30												
Housing H3												
Shaft A0 standard splined shaft A1 splined shaft												
Distributor D40 (1" BSP) D47 (SAE 3000 1")												
Tachometer (optional) TA TB EST EST.30 J TACHOMETER PREDISPOSITION												
Cetop 3 fitting (optional, available only with D47) C3 (Cetop 3 fitting) C3-12 (Cetop 3 fitting, with 12V DC valve included) C3-24 (Cetop 3 fitting, with 24V DC valve included)												
Shuttle valve (optional) SV (available only with D47 distributor)												
Spline billet (optional) SB3 (for A0 splined shaft)												
Valves (optional) RVDA OVSA (see valve section for details and complete ordination code) OVDA ORVSA RVDAP												
Special features (optional) 01 (Viton seals) 02 (Oxynit treatment on the external motor surface) 03 (Nitemper treatment on cylinder bores)												
Displacements MAX-MIN (MAXIMUM AND MINIMUM DISPLACEMENT OF MOTOR)												
												<div style="border: 1px solid black; padding: 5px;"> Max displacement range: 492-255 cc/Rev IAC 500 H3 Min displacement range: 344-98 cc/Rev Different displacements on request </div>

EXAMPLE: IAC.500/B30.H3.A1.D47.C3-24.01.492-197
 IAC.500.H3.A0.D40.J.492-147
 IAC.500/B30.H3.A1.D47.C3.393-147

INTERMOT DUAL DISPLACEMENT MOTORS

IAC SERIES

H4 MODEL

IAC 800

IAC 800/C

IAC 800/B45

INDEX

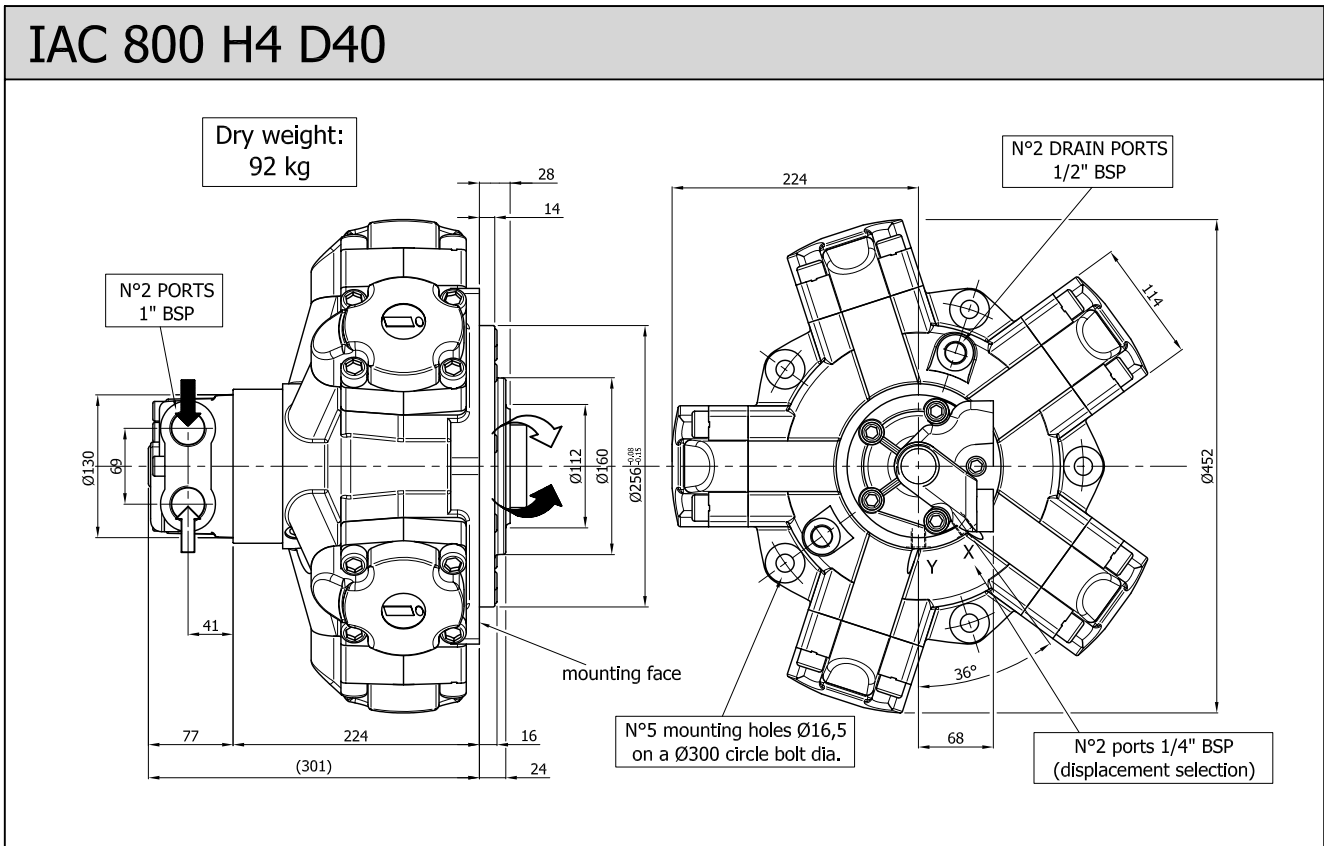
IAC 800 H4 D40 - - - - -	<i>Pag.</i> 32
IAC 800/C H4 D40 - - - - -	" 33
IAC 800/B45 H4 D40 - - - - -	" 34
IAC 800 H4 D47 C3 SV - - - - -	" 35
IAC 800/C H4 D47 C3 SV - - - - -	" 36
IAC 800/B45 H4 D47 C3 SV - - - - -	" 37
IAC 800 H4 D47 C3-24 SV - - - - -	" 38
IAC 800/C H4 D47 C3-24 SV - - - - -	" 39
IAC 800/B45 H4 D47 C3-24 SV - - - - -	" 40
ORDERING INSTRUCTIONS - - - - -	" 41



Factory 19 / 5 Lyn Parade PRESTONS NSW 2170
Ph: (02) 9607 4100 Fax: (02) 9607 4200

SIZE

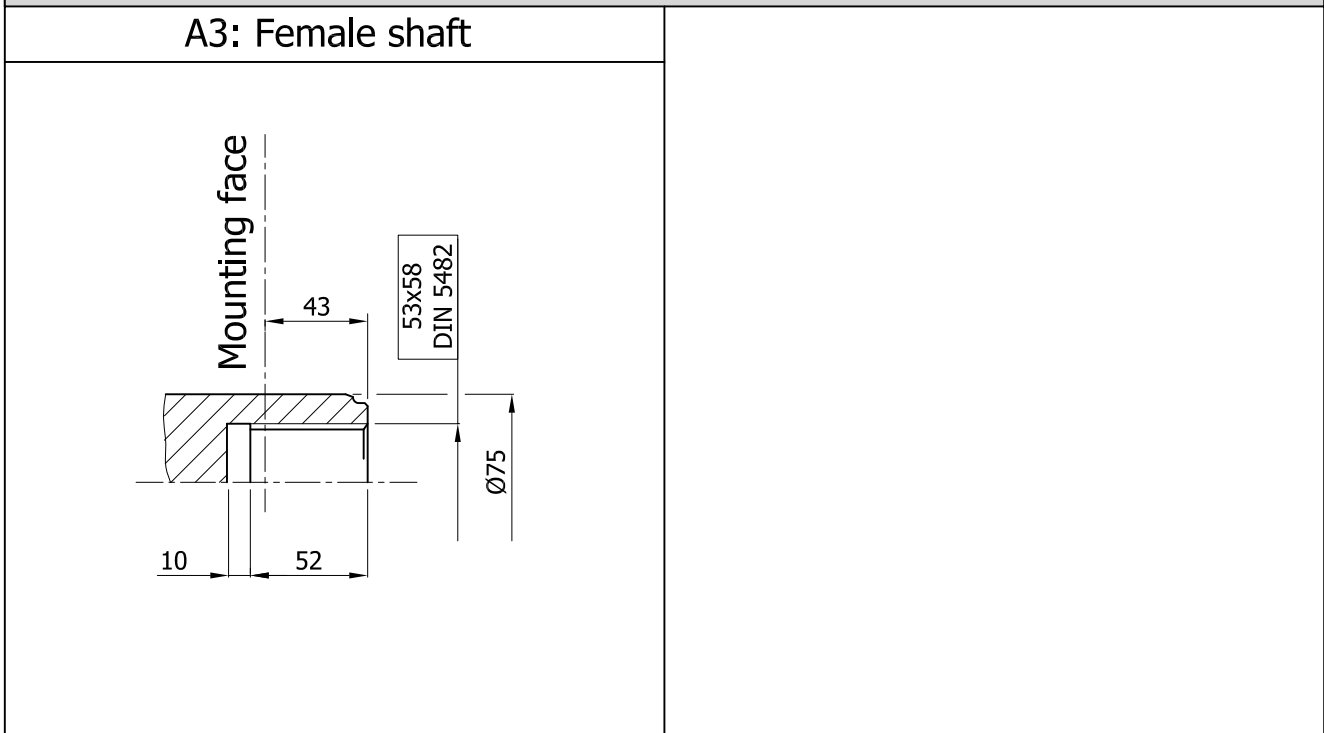
IAC 800 H4 D40



SHAFT

IAC 800 H4 D40

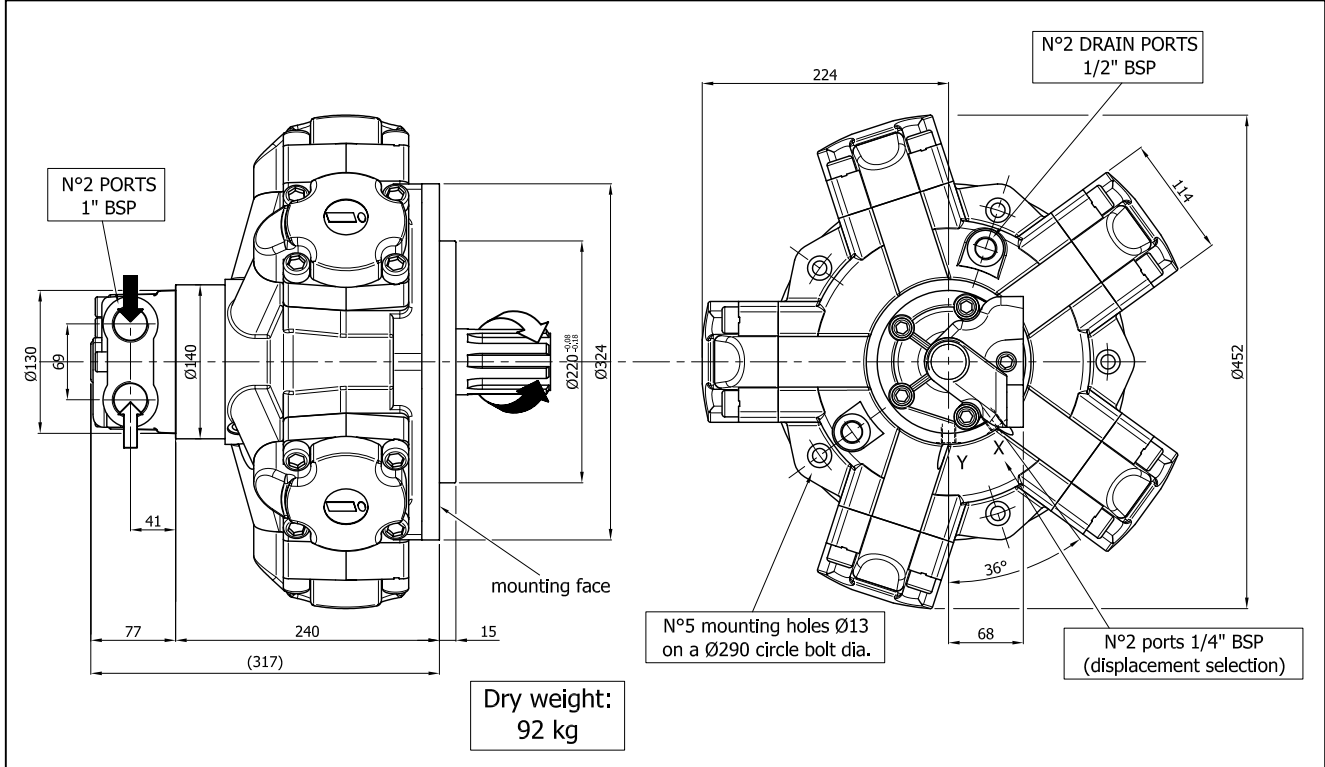
A3: Female shaft



INTERCHANGEABLE WITH MRD700

SIZE

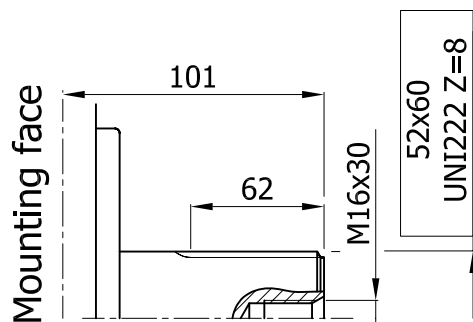
IAC 800/C H4 D40



SHAFT

IAC 800/C H4 D40

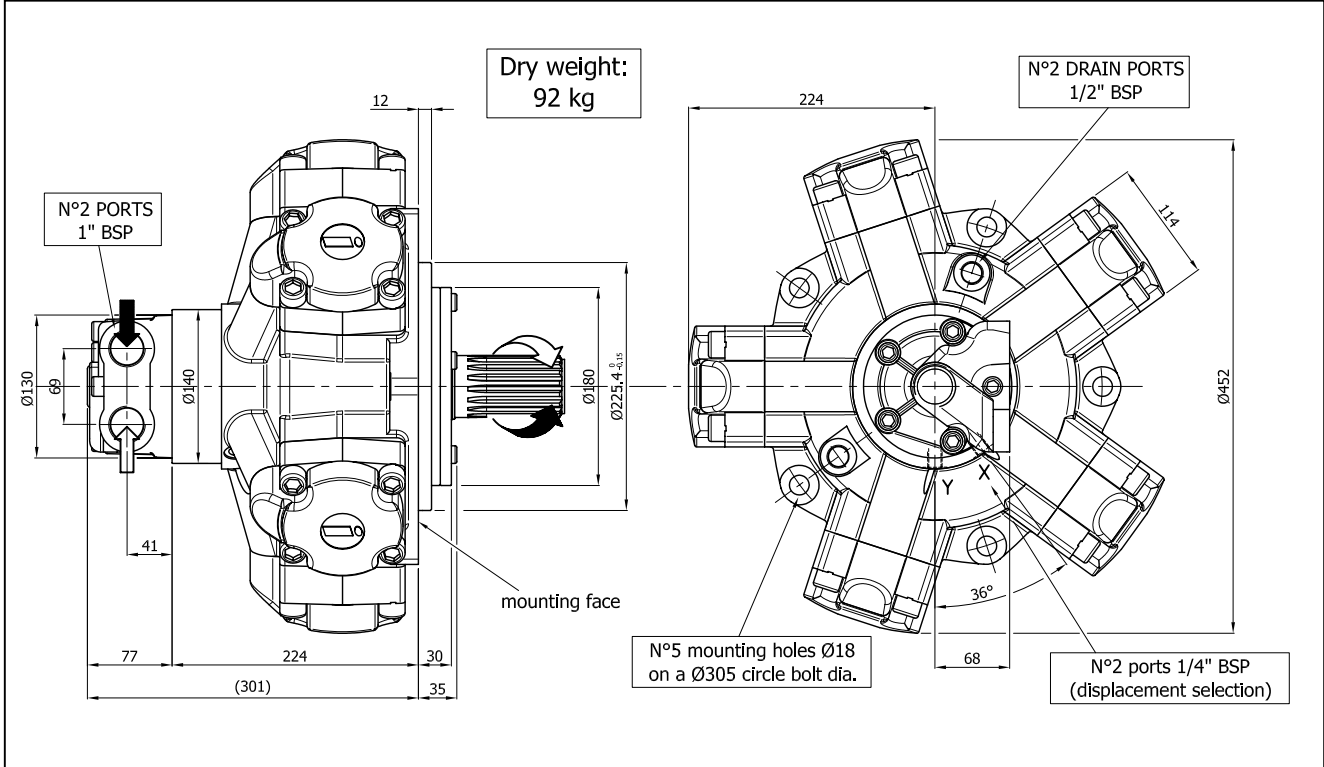
A0: Standard splined shaft



INTERCHANGEABLE WITH HMC45

SIZE

IAC 800/B45 H4 D40

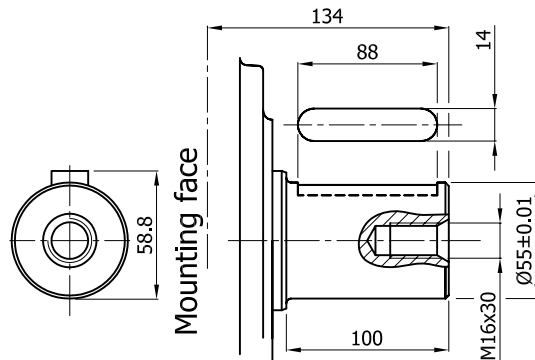
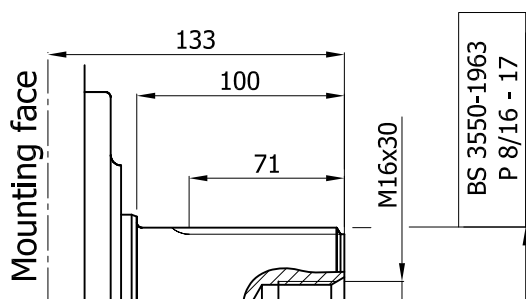


SHAFT

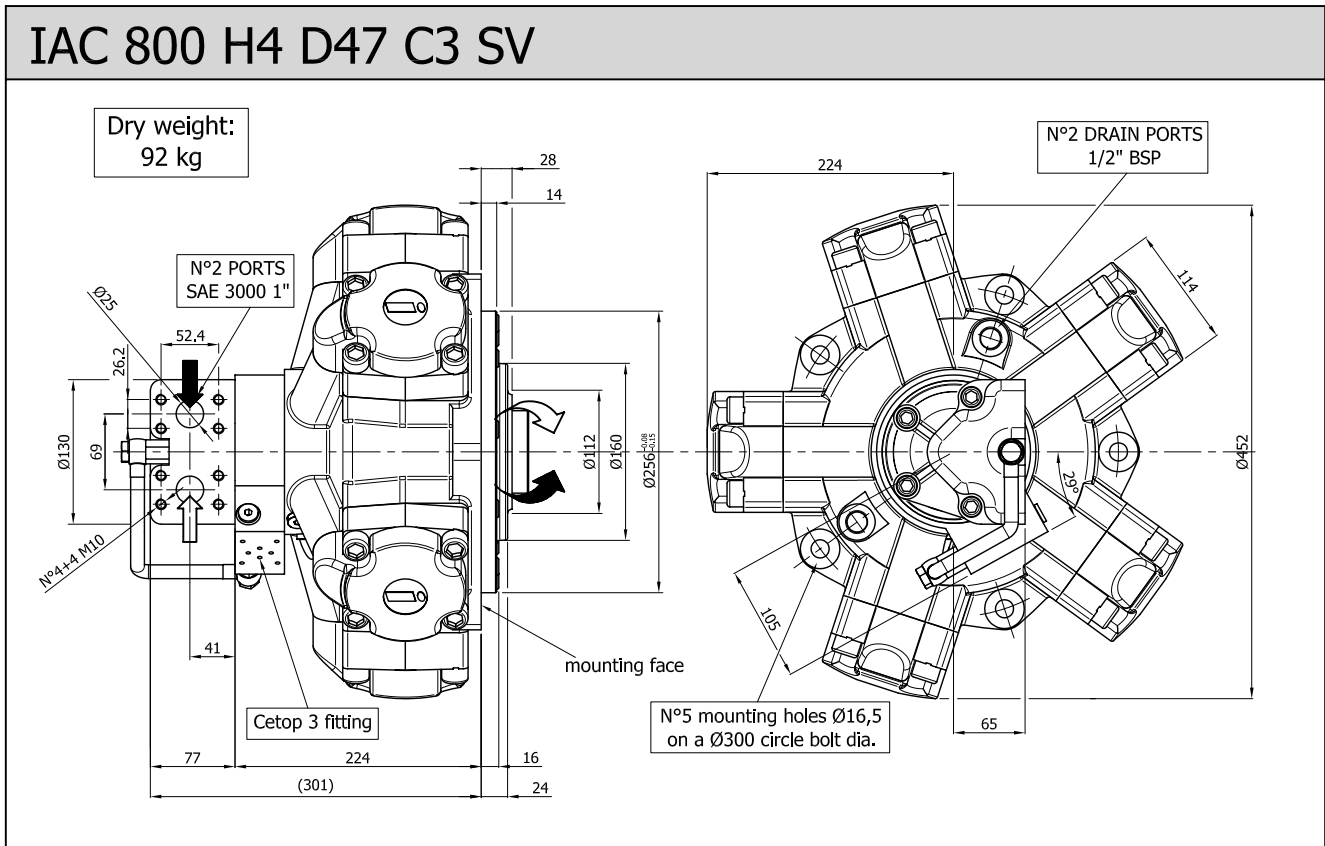
IAC 800/B45 H4 D40

A1: Splined shaft

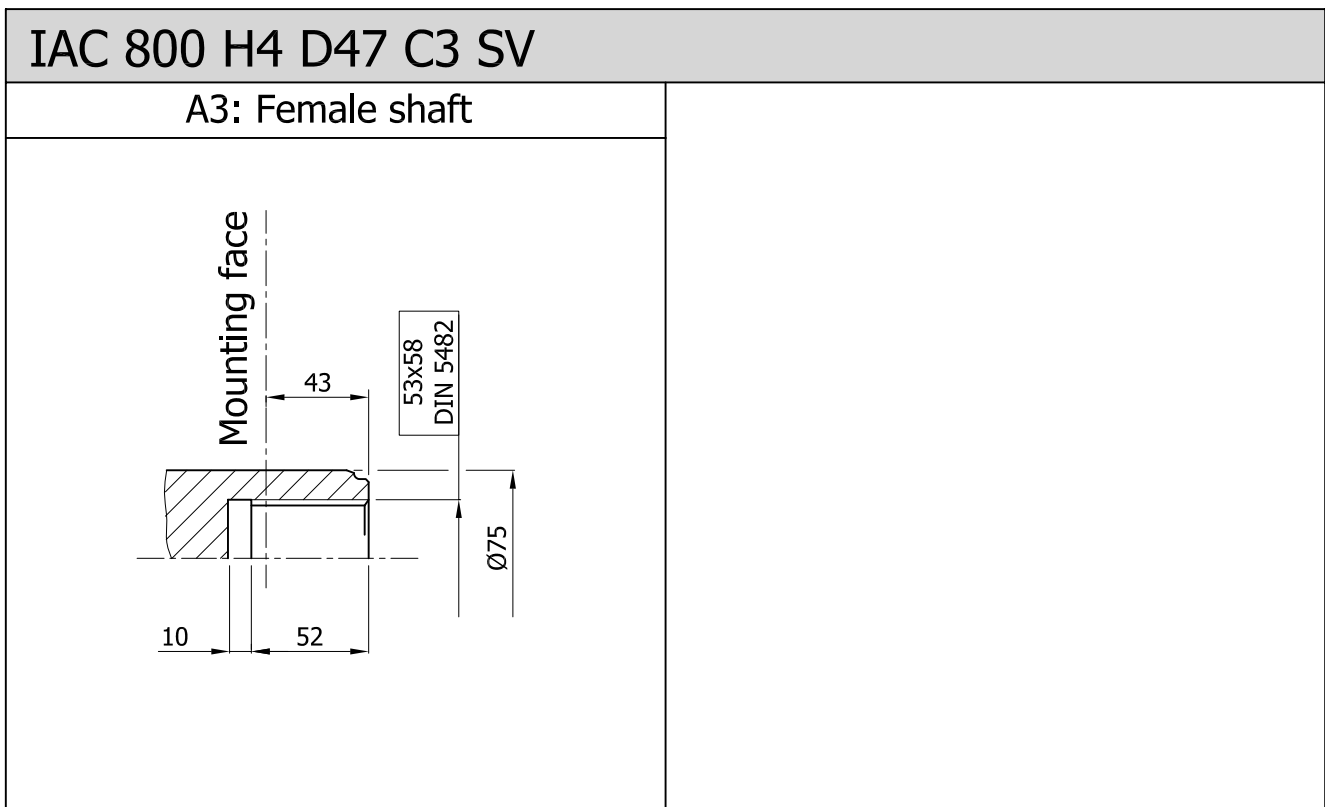
A2: Parallel shaft



SIZE



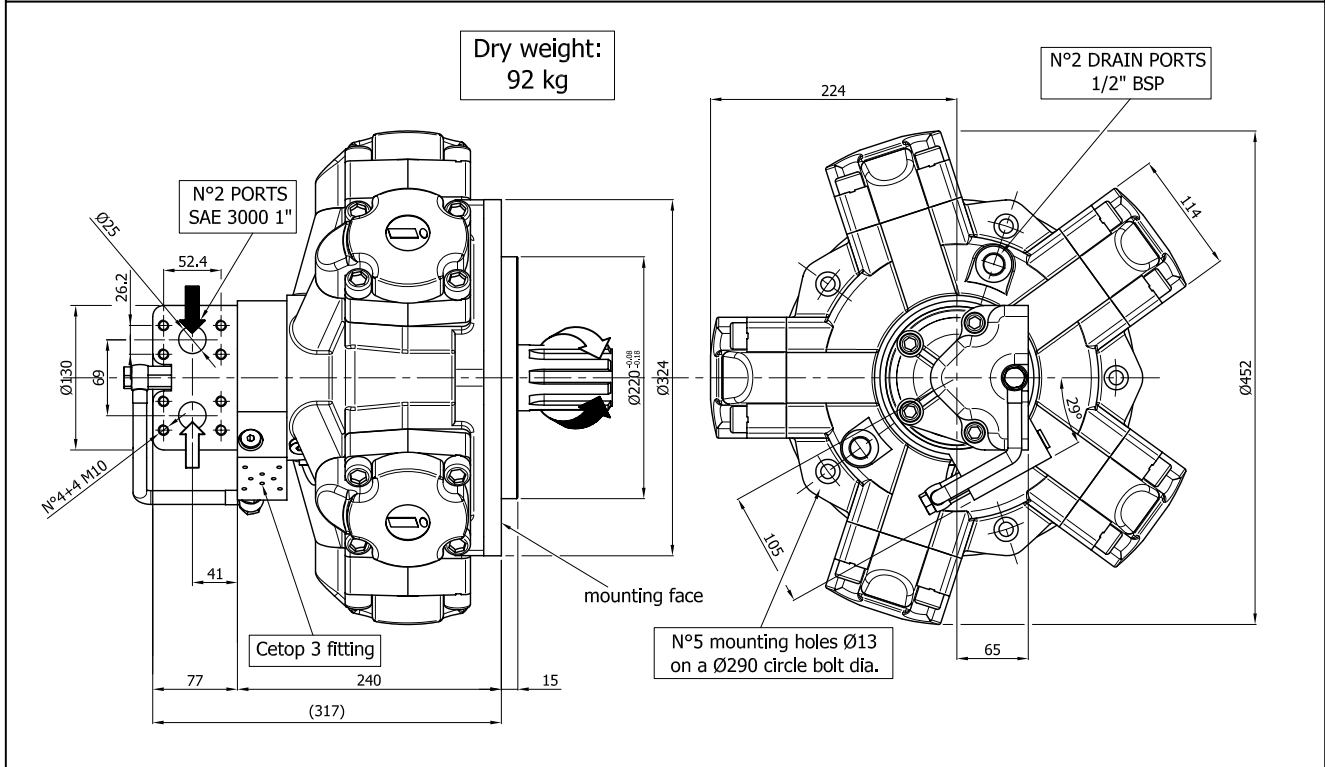
SHAFT



INTERCHANGEABLE WITH MRD700

SIZE

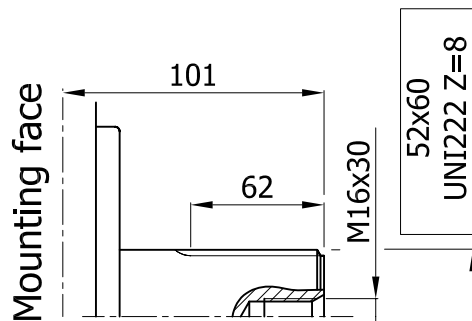
IAC 800/C H4 D47 C3 SV



SHAFT

IAC 800/C H4 D47 C3 SV

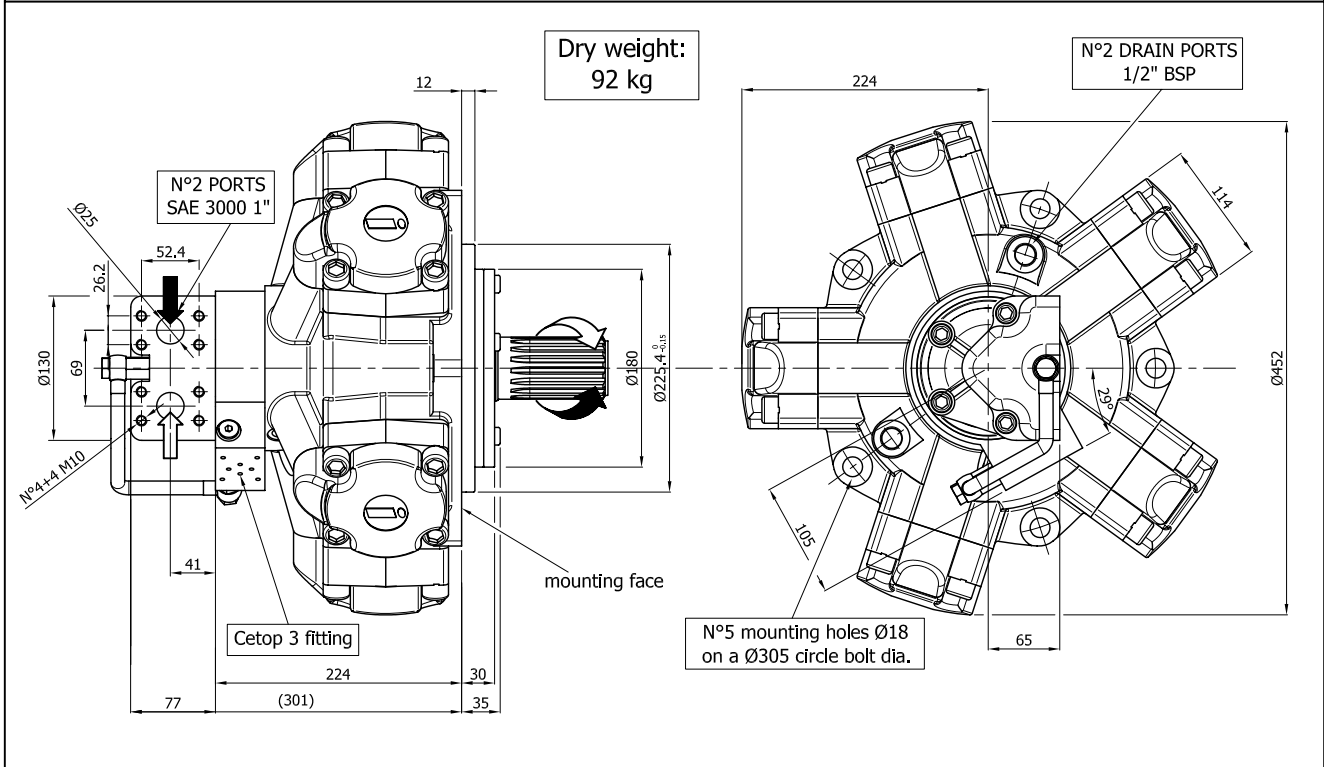
A0: Standard splined shaft



INTERCHANGEABLE WITH HMC45

SIZE

IAC 800/B45 H4 D47 C3 SV

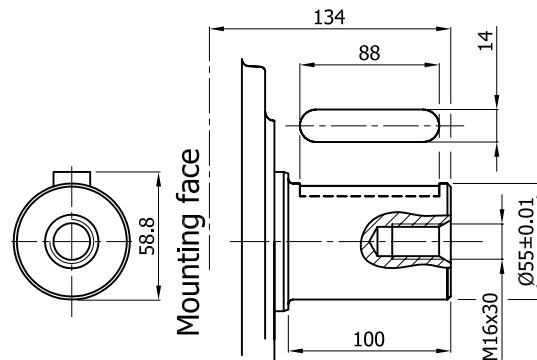
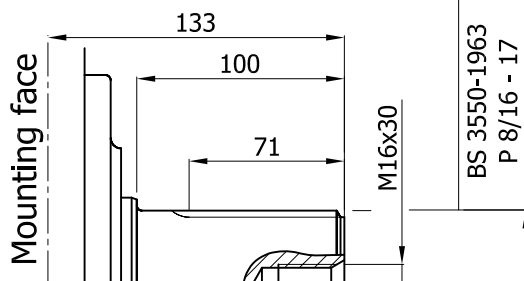


SHAFT

IAC 800/B45 H4 D47 C3 SV

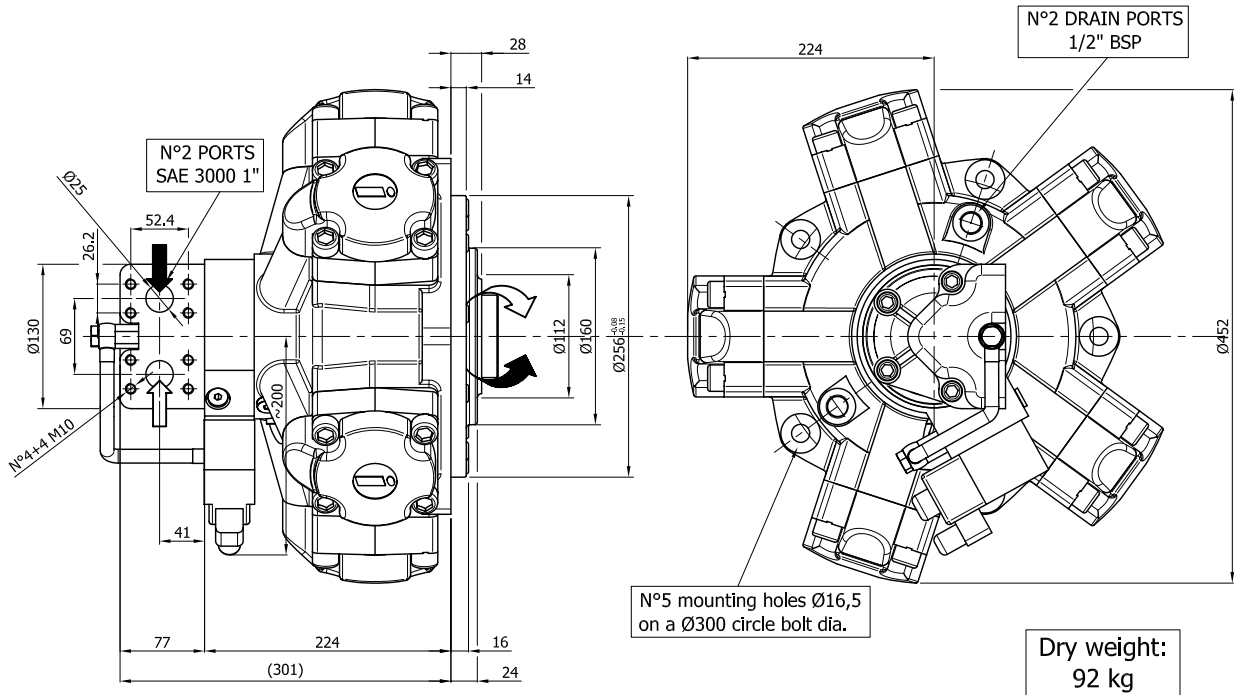
A1: Splined shaft

A2: Parallel shaft



SIZE

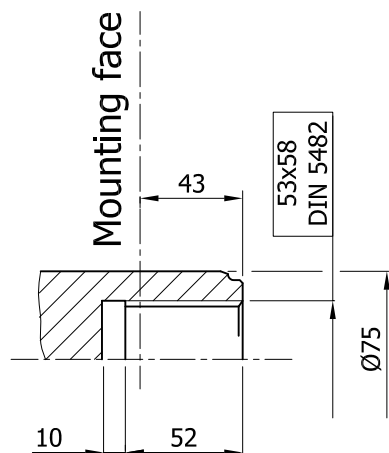
IAC 800 H4 D47 C3-24 SV



SHAFT

IAC 800 H4 D47 C3-24 SV

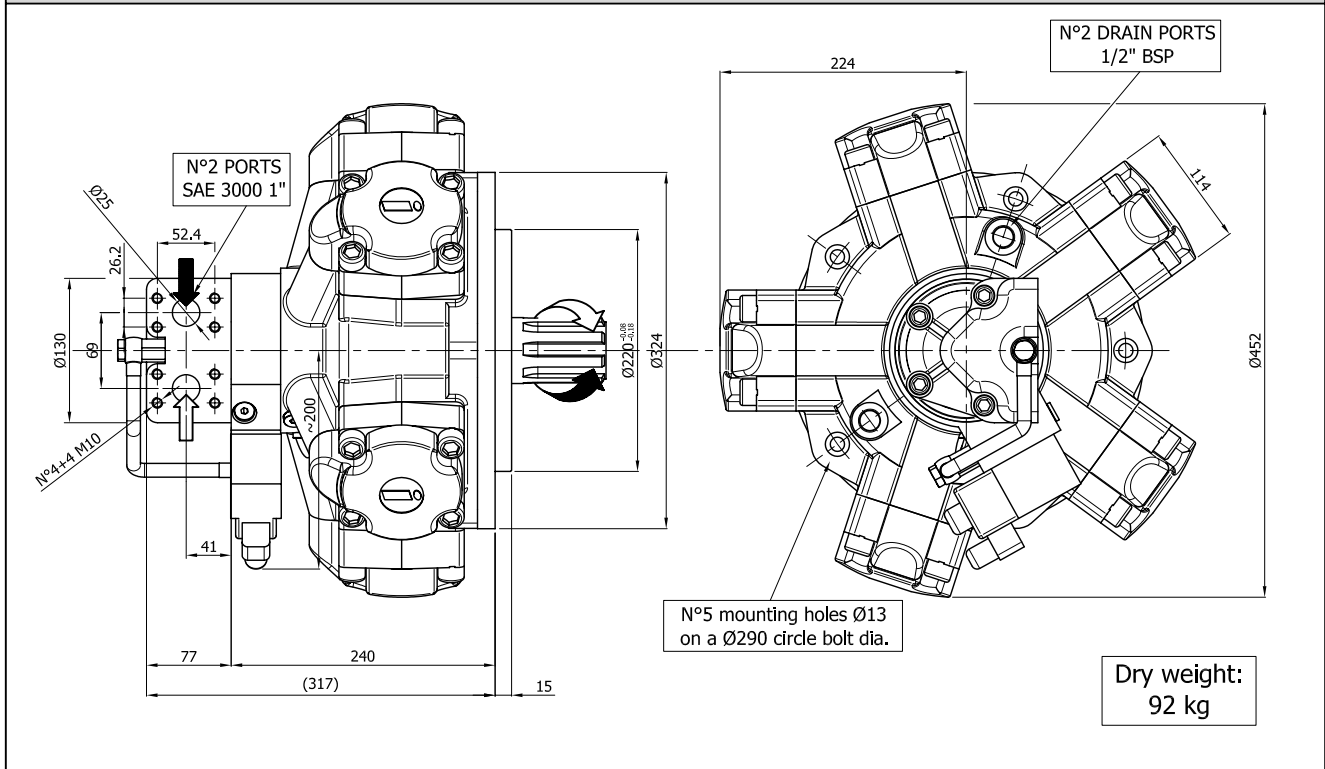
A3: Female shaft



INTERCHANGEABLE WITH MRD700

SIZE

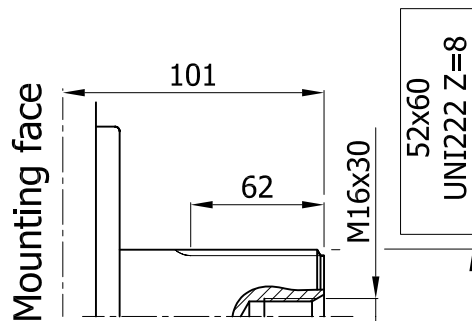
IAC 800/C H4 D47 C3-24 SV



SHAFT

IAC 800/C H4 D47 C3-24 SV

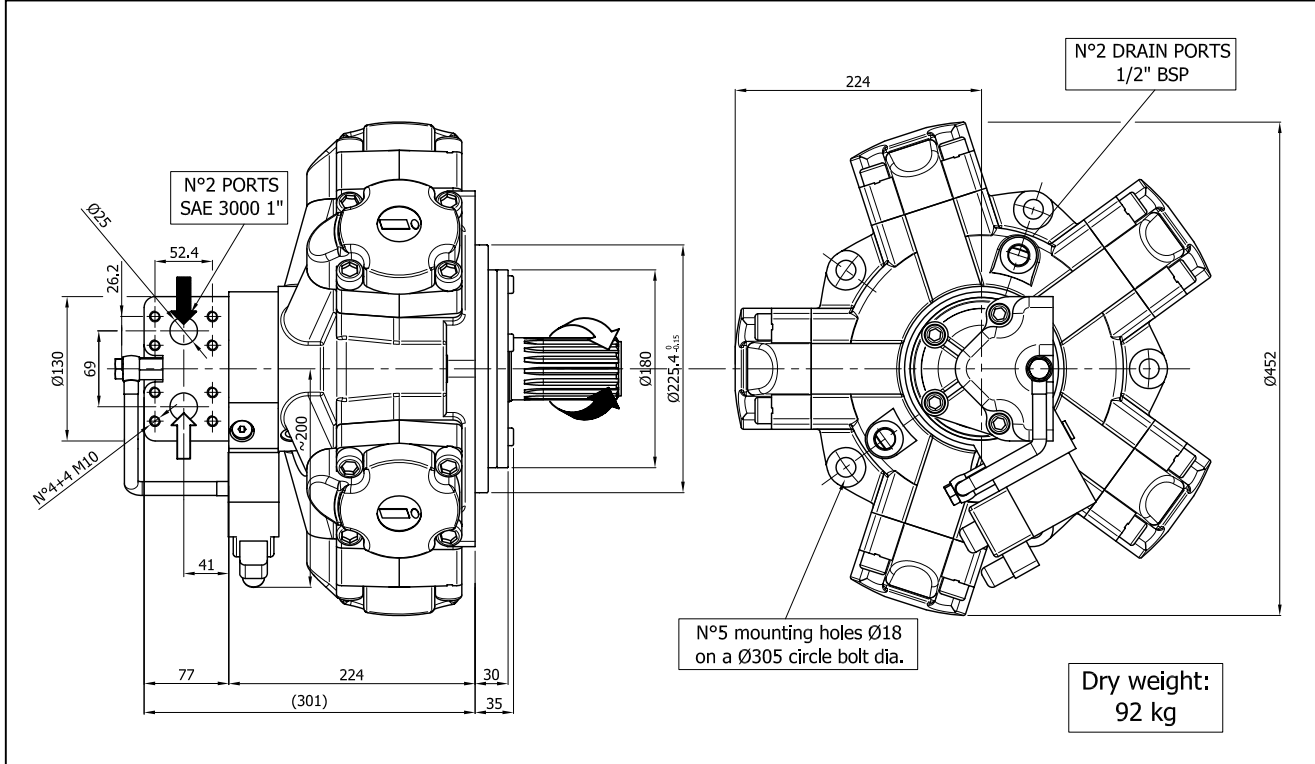
A1: Splined shaft



INTERCHANGEABLE WITH HMC45

SIZE

IAC 800/B45 H4 D47 C3-24 SV

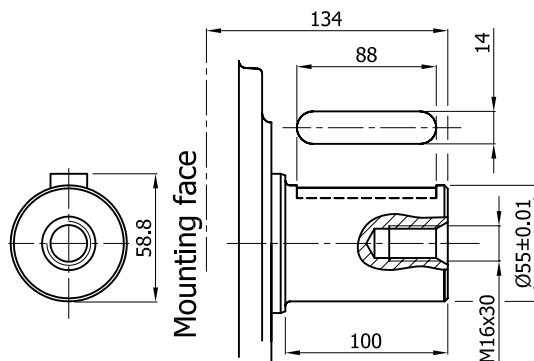
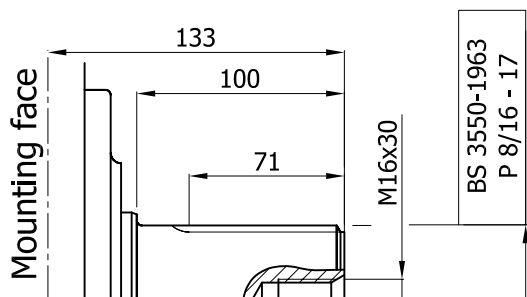


SHAFT

IAC 800/B45 H4 D47 C3-24 SV

A1: Splined shaft

A2: Parallel shaft



ORDERING INSTRUCTIONS

H4

	IAC --	/-	H1	A -	D --	---	---	SV	SB -	---	---	---	---
Motor model	IAC 800												
Motor interchangeability		/B45 /C											
Housing			H4										
Shaft				A0 splined shaft A1 splined shaft A2 parallel shaft									
Distributor													
					D40 (1" BSP) D47 (SAE 3000 1")								
Tachometer (optional)													
						TA TB EST EST.30 J TACHOMETER PREDISPOSITION							
Cetop 3 fitting (optional, available only with D47)													
						C3 (Cetop 3 fitting) C3-12 (Cetop 3 fitting, with 12V DC valve included) C3-24 (Cetop 3 fitting, with 24V DC valve included)							
Shuttle valve (optional)								SV (available only with D47 distributor)					
Spline billet (optional)									SB16 (for A0 splined shaft)				
Valves (optional)													
Special features (optional)													
Conversion flange (optional) (see conversion flanges section)													
Displacements													

IAC 800 H4 Max displacement range: 792-575 cc/Rev
 Min displacement range: 493-165 cc/Rev

Different displacements on request

EXAMPLE: IAC.800.H4.A3.D47.C3.SV.792-410
 IAC.800/B45.H4.A1.D47.C3-24.SV.792-393

INTERMOT DUAL DISPLACEMENT MOTORS

IAC SERIES

H5 MODEL

IAC 1400

IAC 1400/C

INDEX

IAC 1400 H5 D75 - - - - -	<i>Pag.</i>	44
IAC 1400/C H5 D75 - - - - -	"	45
IAC 1400 H5 D75 C3 SV - - - - -	"	46
IAC 1400/C H5 D75 C3 SV - - - - -	"	47
IAC 1400 H5 D75 C3-24 SV - - - - -	"	48
IAC 1400/C H5 D75 C3-24 SV - - - - -	"	49
ORDERING INSTRUCTIONS - - - - -	"	50

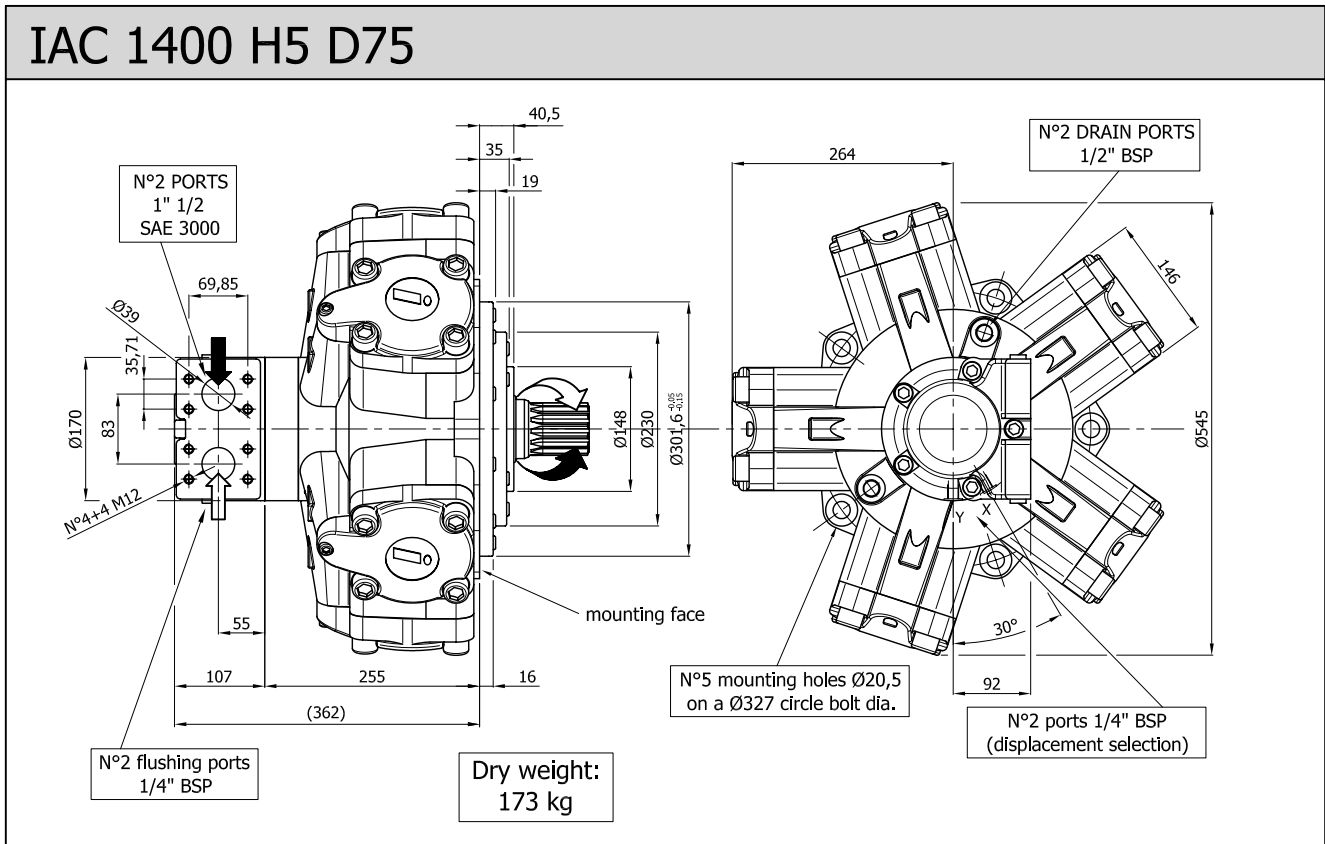


Factory 19 / 5 Lyn Parade PRESTONS NSW 2170
Ph: (02) 9607 4100 Fax: (02) 9607 4200

INTERCHANGEABLE WITH HMC80

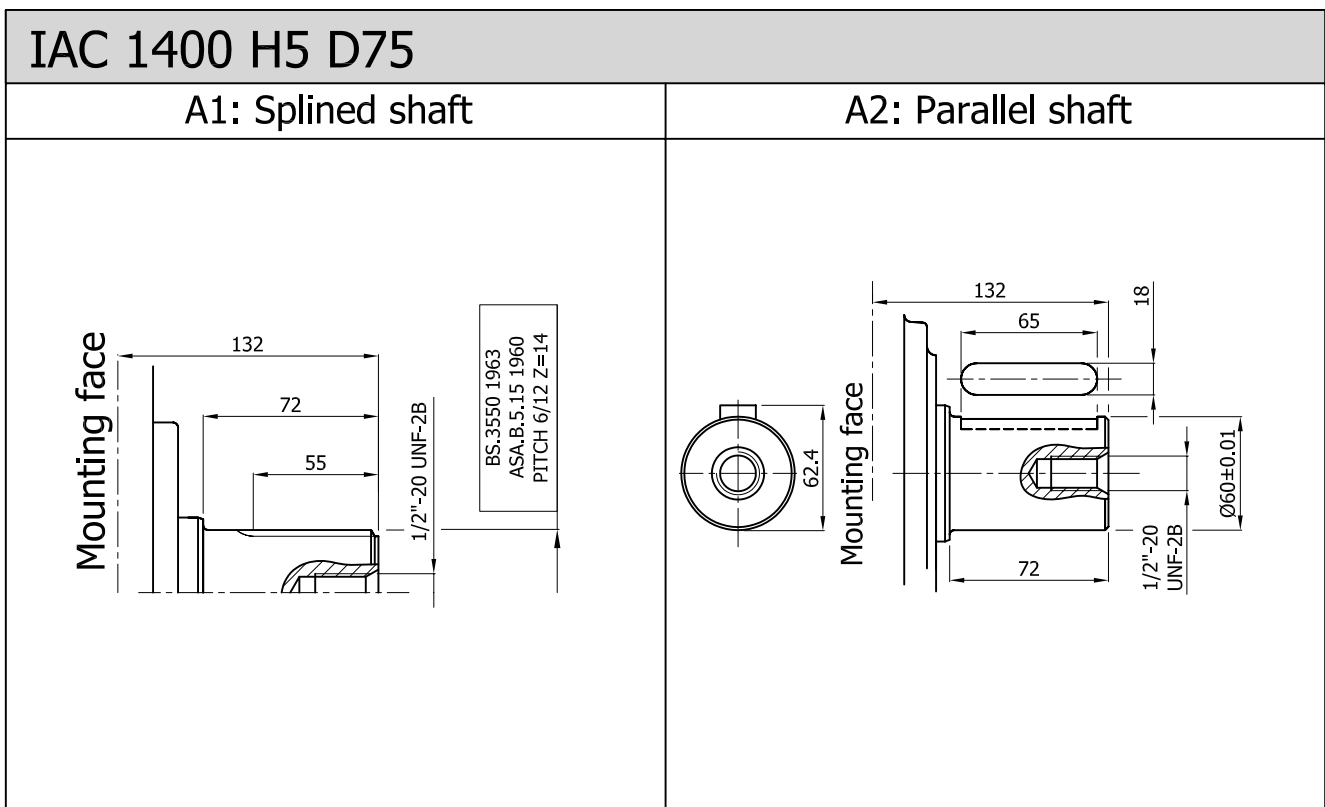
SIZE

IAC 1400 H5 D75



SHAFT

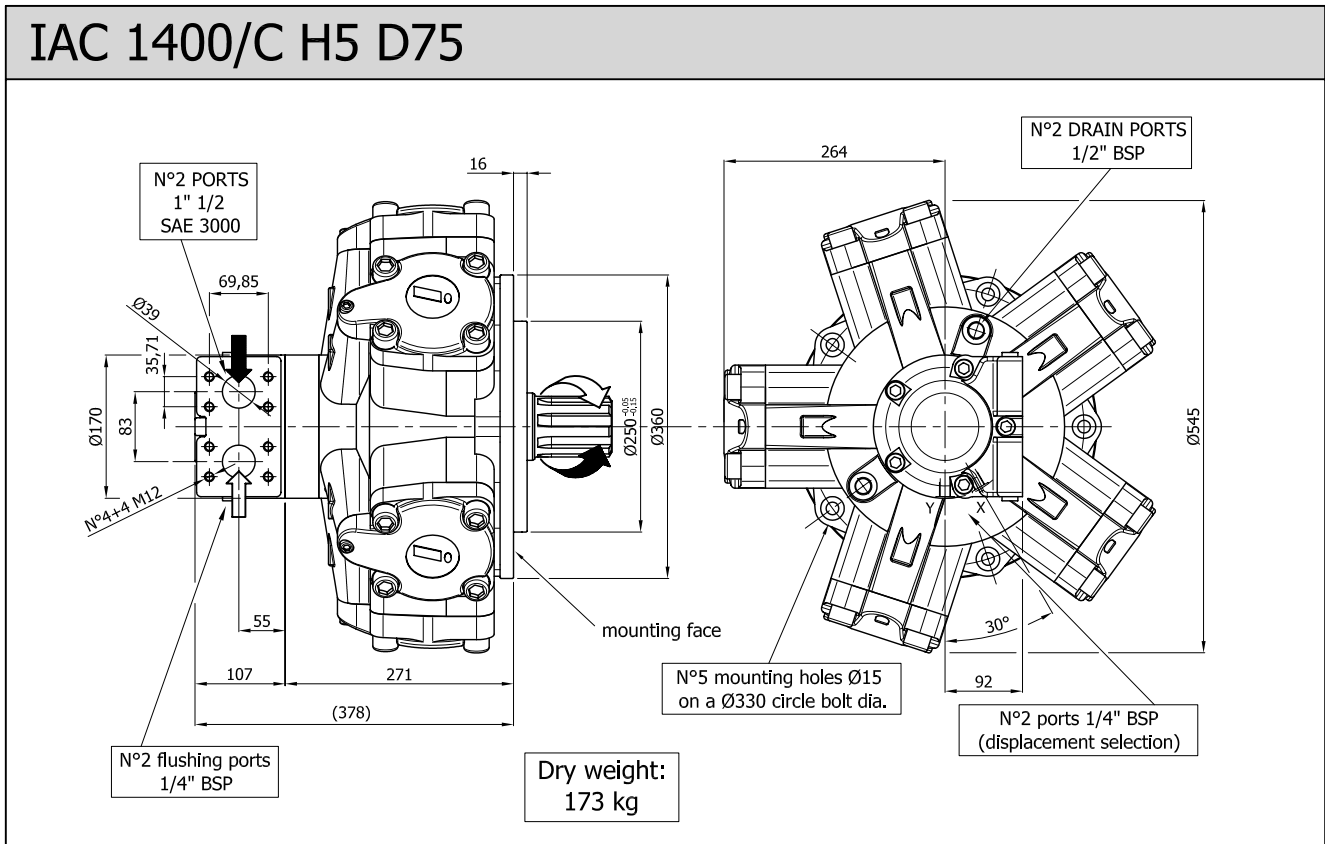
IAC 1400 H5 D75



INTERCHANGEABLE WITH MRD1100

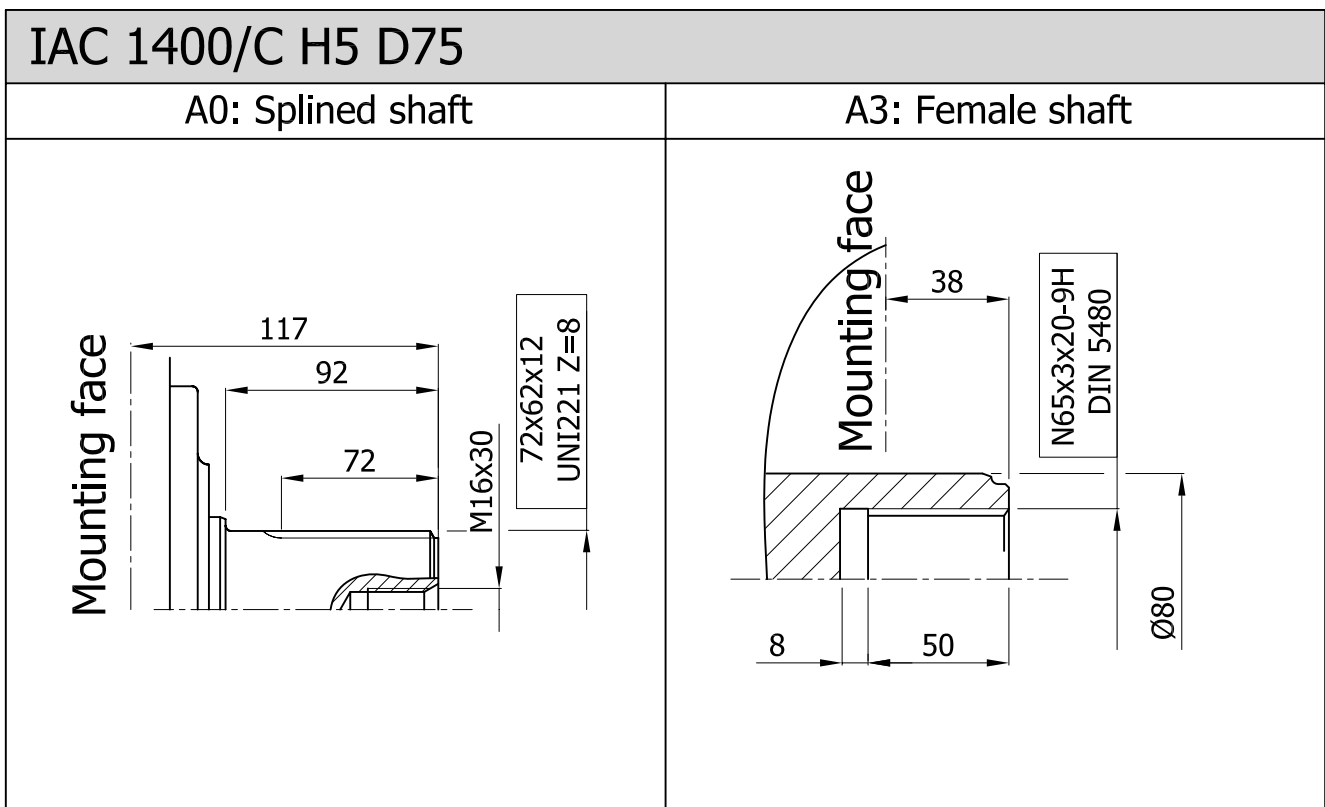
SIZE

IAC 1400/C H5 D75



SHAFT

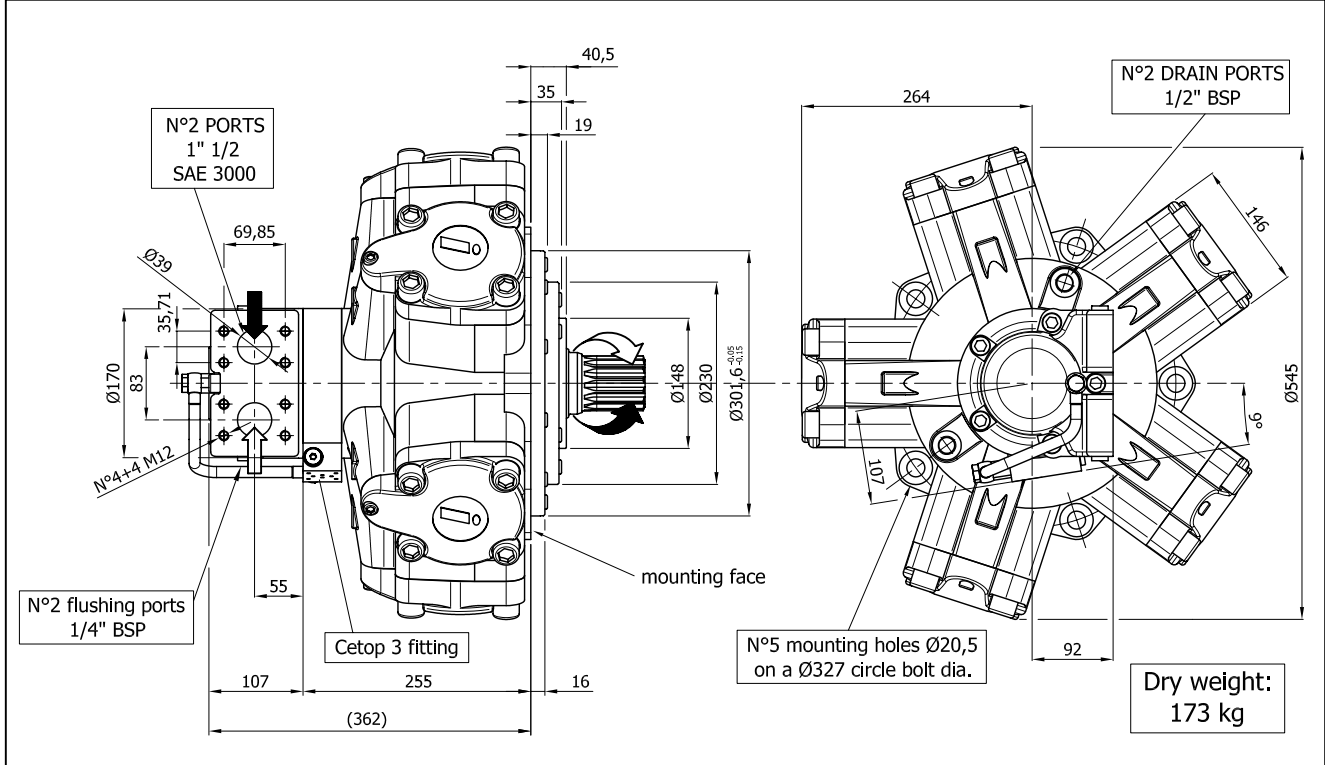
IAC 1400/C H5 D75



INTERCHANGEABLE WITH HMC80

SIZE

IAC 1400 H5 D75 C3 SV



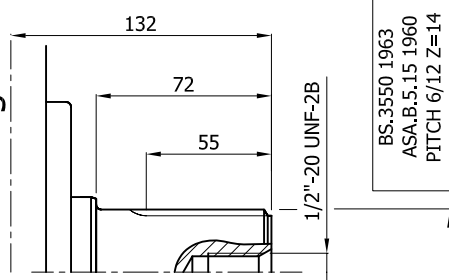
SHAFT

IAC 1400 H5 D75 C3 SV

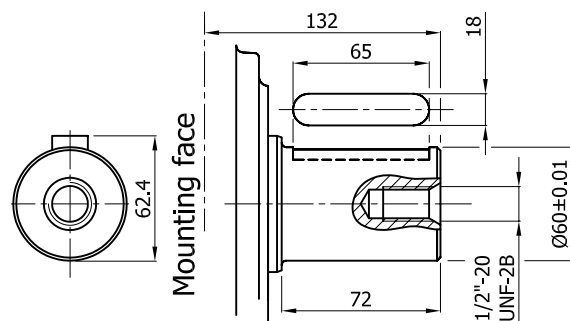
A1: Splined shaft

A2: Parallel shaft

Mounting face



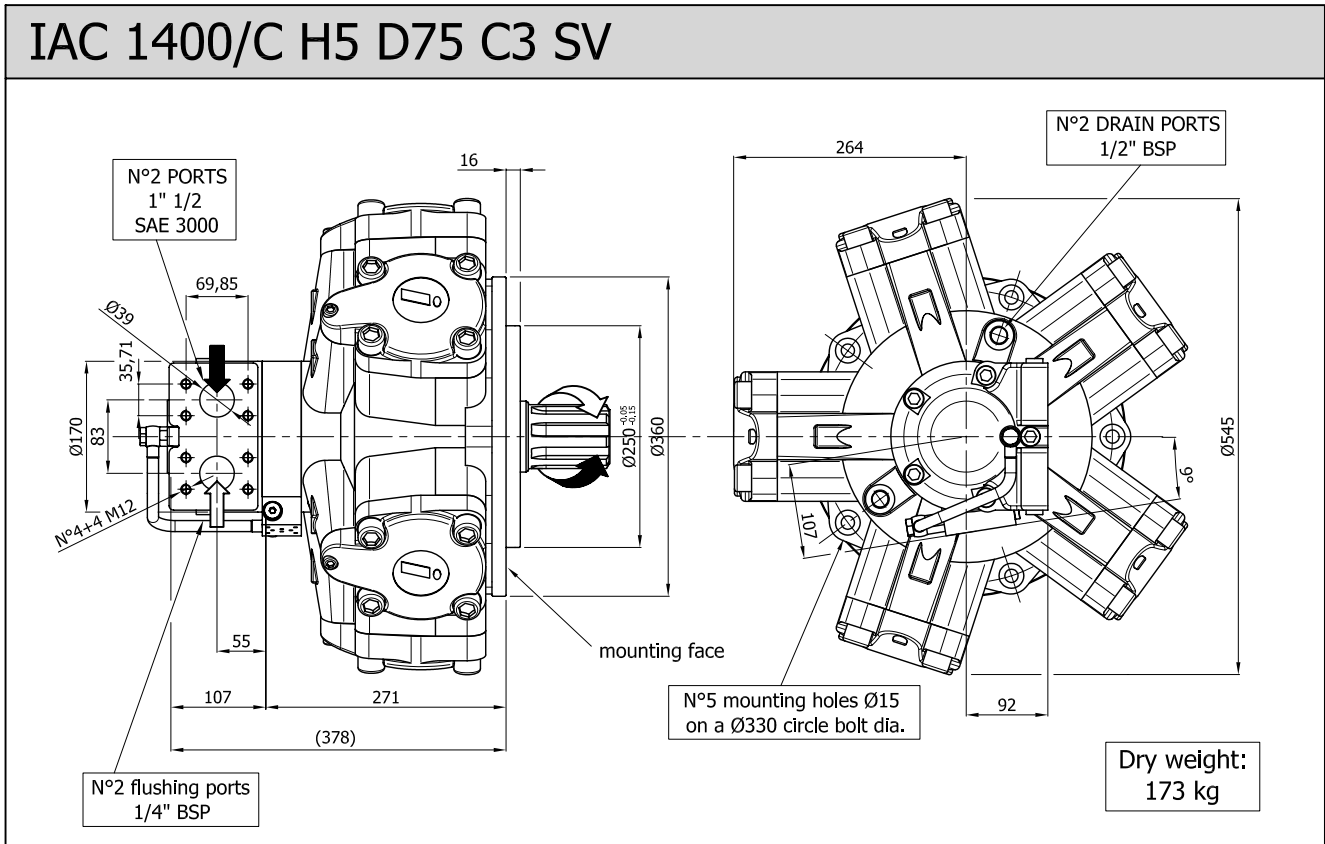
Mounting face



INTERCHANGEABLE WITH MRD1100

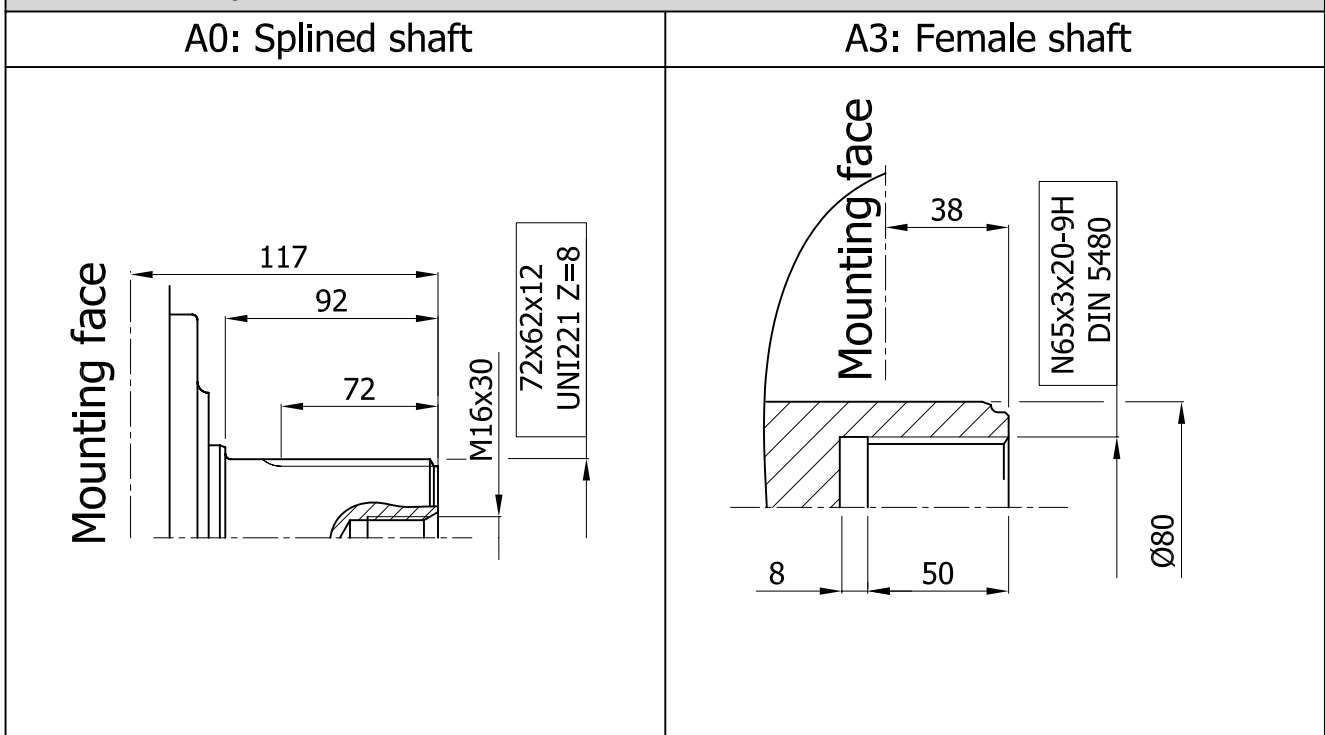
SIZE

IAC 1400/C H5 D75 C3 SV



SHAFT

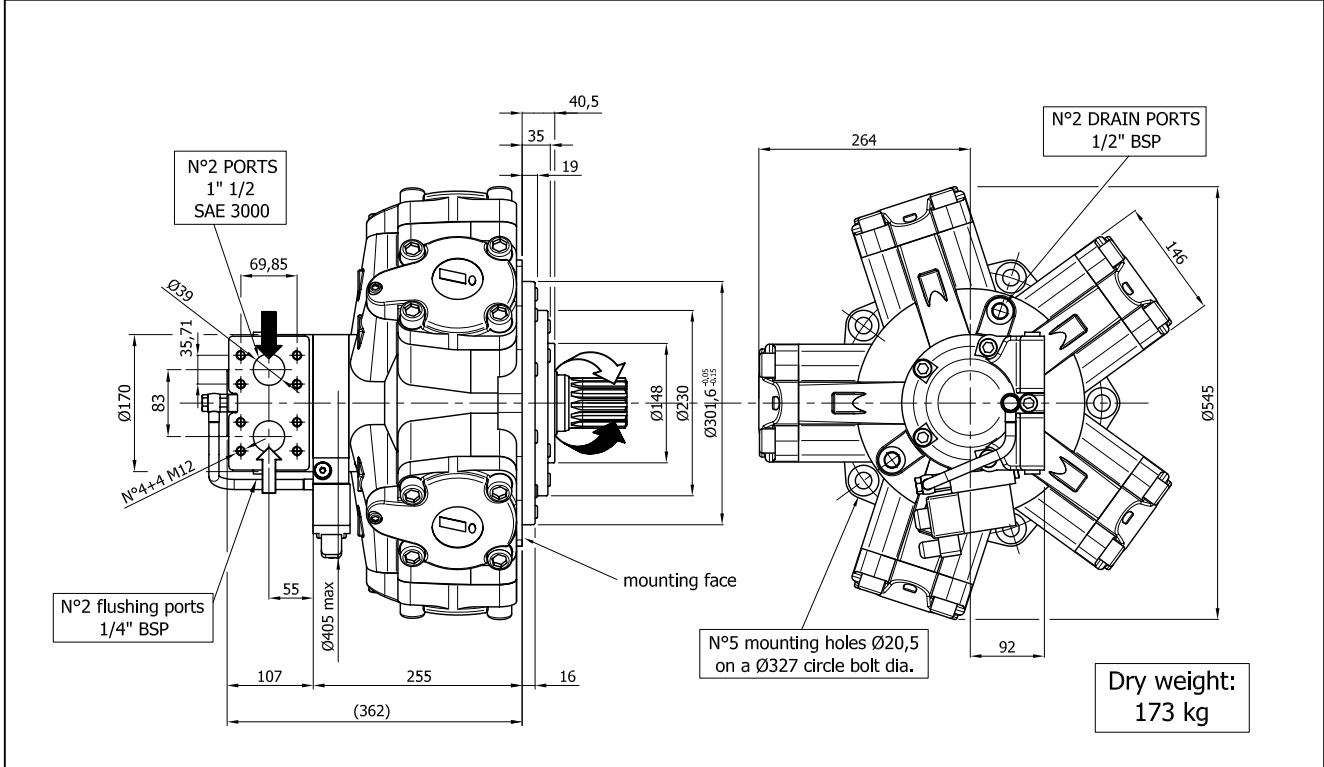
IAC 1400/C H5 D75 C3 SV



INTERCHANGEABLE WITH HMC80

SIZE

IAC 1400 H5 D75 C3-24 SV



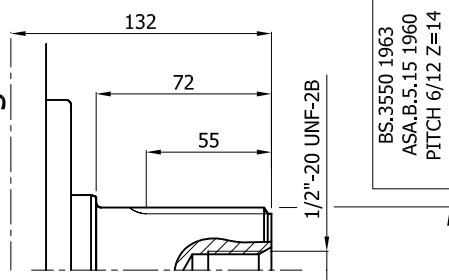
SHAFT

IAC 1400 H5 D75 C3-24 SV

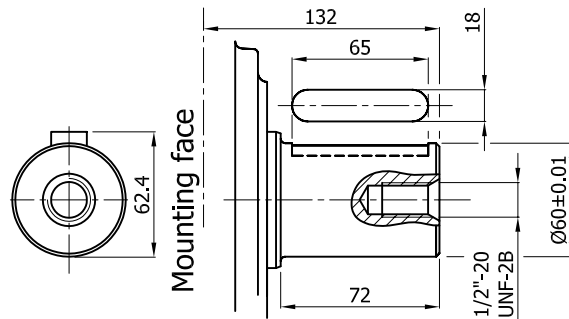
A1: Splined shaft

A2: Parallel shaft

Mounting face



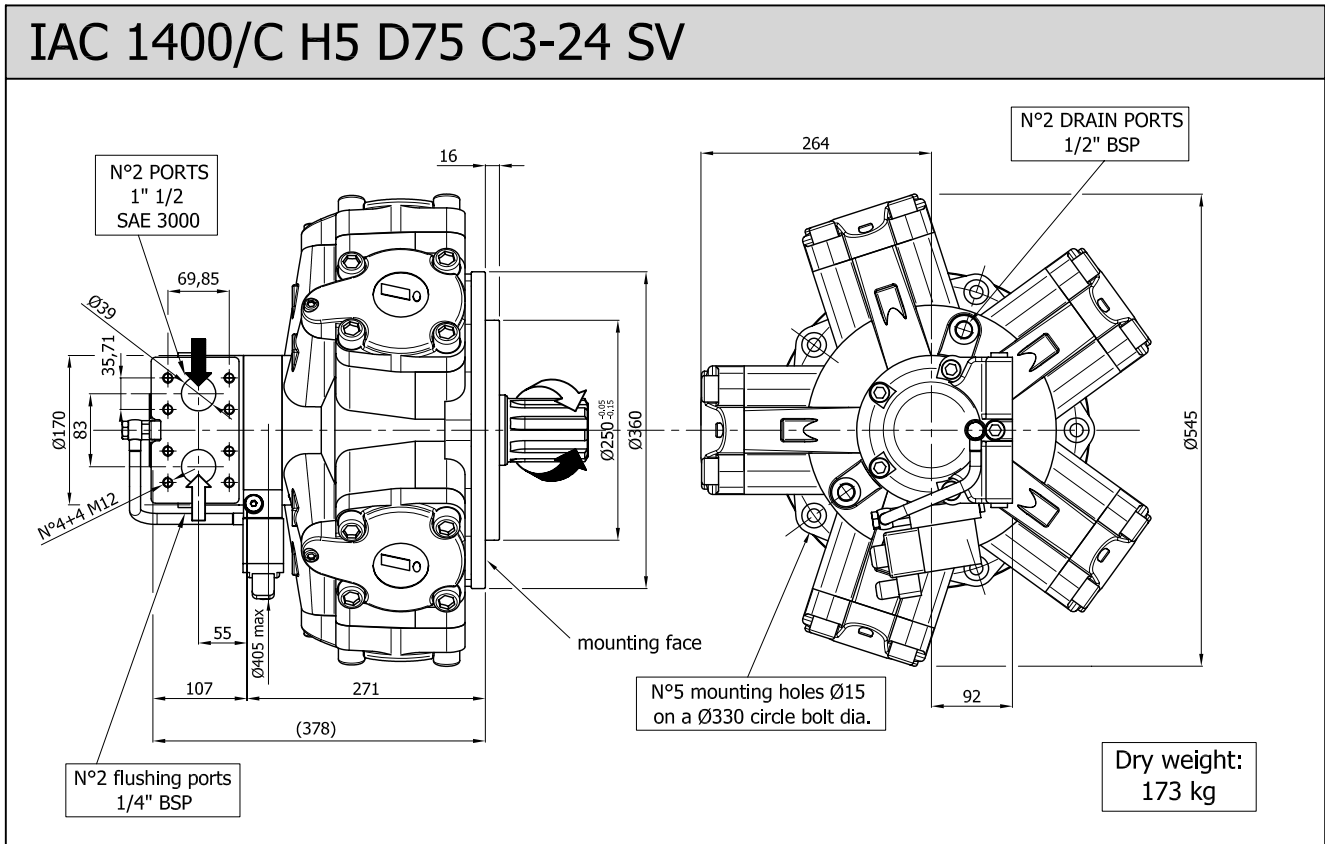
Mounting face



INTERCHANGEABLE WITH MRD1100

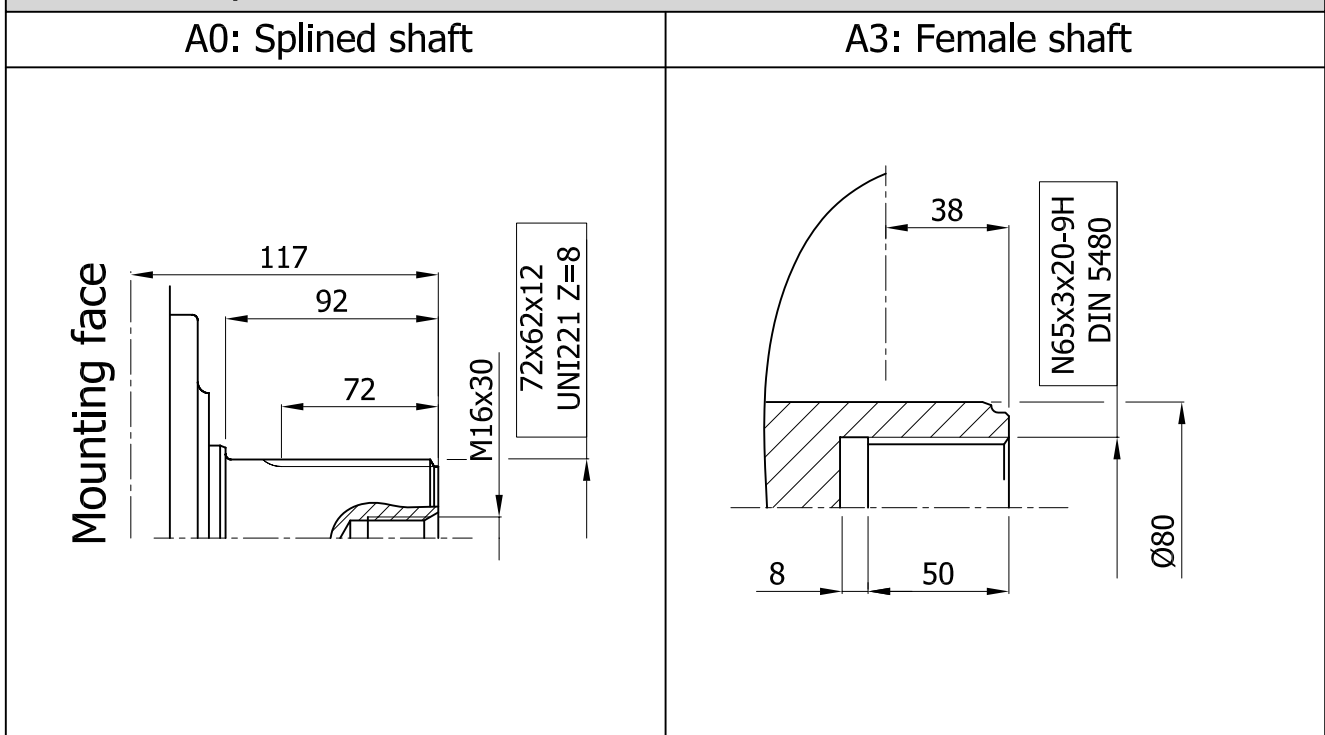
SIZE

IAC 1400/C H5 D75 C3-24 SV



SHAFT

IAC 1400/C H5 D75 C3-24 SV



ORDERING INSTRUCTIONS

H5

	IAC --	/-	H1	A -	D --	---	---	SV	SB -	---	---	---	---
Motor model	IAC 1400												
Motor interchangeability	/C												
Housing	H5												
Shaft	A0 splined shaft	A1 splined shaft	A2 parallel shaft	A3 female shaft									
Distributor	D75 (SAE 3000 1" 1/2)												
Tachometer (optional)	TA	TB	EST	EST.30	J TACHOMETER PREDISPOSITION								
Cetop 3 fitting (optional)	C3 (Cetop 3 fitting)	C3-12 (Cetop 3 fitting, with 12V DC valve included)	C3-24 (Cetop 3 fitting, with 24V DC valve included)										
Shuttle valve (optional)	SV												
Spline billet (optional)	SB6 (for A0 splined shaft)	SB7 (for A1 splined shaft)											
Valves (optional)	RVDA	OVSA (see valve section for details and complete ordination code)	OVDA	ORVSA	RVDAP								
Special features (optional)	01 (Viton seals)	02 (Oxynit treatment on the external motor surface)	03 (Nitemper treatment on cylinder bores)										
Conversion flange (optional) (see conversion flanges section)	FL4 (for IAC 1400/C D75)	FL5 (for IAC 1400 H5 D75)	FL6 (for IAC 1400 H5 D75)										
Displacements	MAX-MIN (MAXIMUM AND MINIMUM DISPLACEMENT OF MOTOR)	<div style="border: 1px solid black; padding: 5px;"> IAC 1400 H5 Max displacement range: 1600-746 cc/Rev Min displacement range: 1146-82 cc/Rev </div>											
													Different displacements on request

EXAMPLE: IAC.1400/C.H5.A3.D75.C3.SV.1393-655
IAC.1400.H5.A1.D75.C3.SV.1393-410

INTERMOT DUAL DISPLACEMENT MOTORS

IAC SERIES

H6 MODEL

IAC 3000 H6

IAC 3000/C H6

INDEX

IAC 3000 H6 D90 - - - - -	<i>Pag.</i>	52
IAC 3000/C H6 D90 - - - - -	"	53
IAC 3000 H6 D90 C3 SV - - - - -	"	54
IAC 3000/C H6 D90 C3 SV - - - - -	"	55
IAC 3000 H6 D90 C3-24 SV - - - - -	"	56
IAC 3000 H6 D90 C3-24 SV - - - - -	"	57
ORDERING INSTRUCTIONS - - - - -	"	58



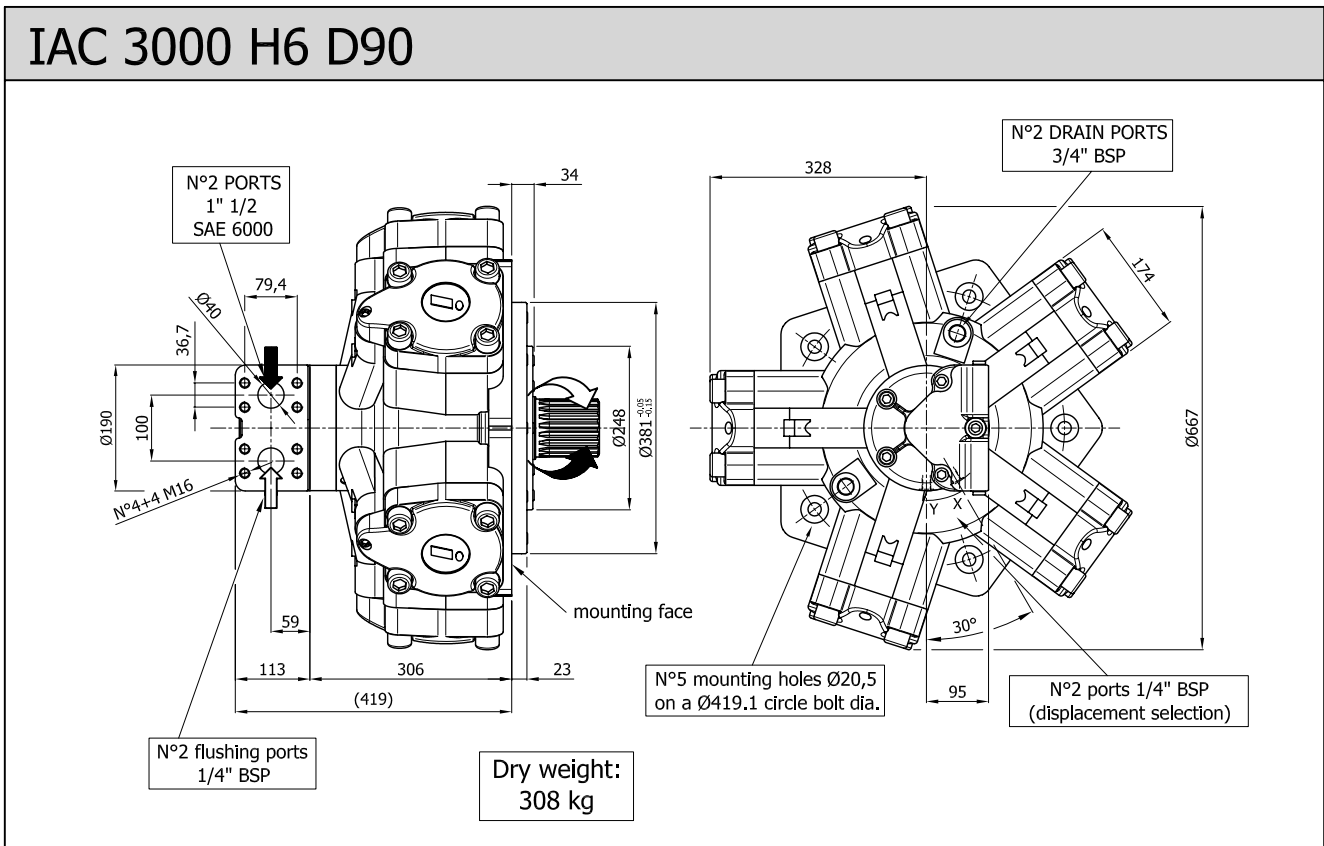
Factory 19 / 5 Lyn Parade PRESTONS NSW 2170

Ph: (02) 9607 4100 Fax: (02) 9607 4200

INTERCHANGEABLE WITH HMC200

SIZE

IAC 3000 H6 D90



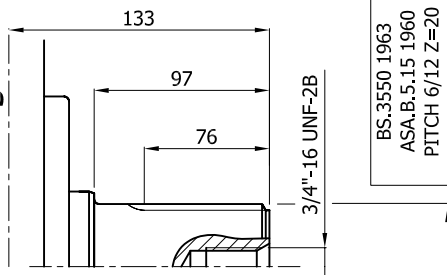
SHAFT

IAC 3000 H6 D90

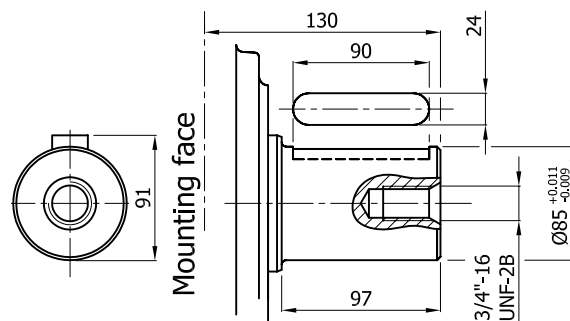
A1: Splined shaft

A2: Parallel shaft

Mounting face



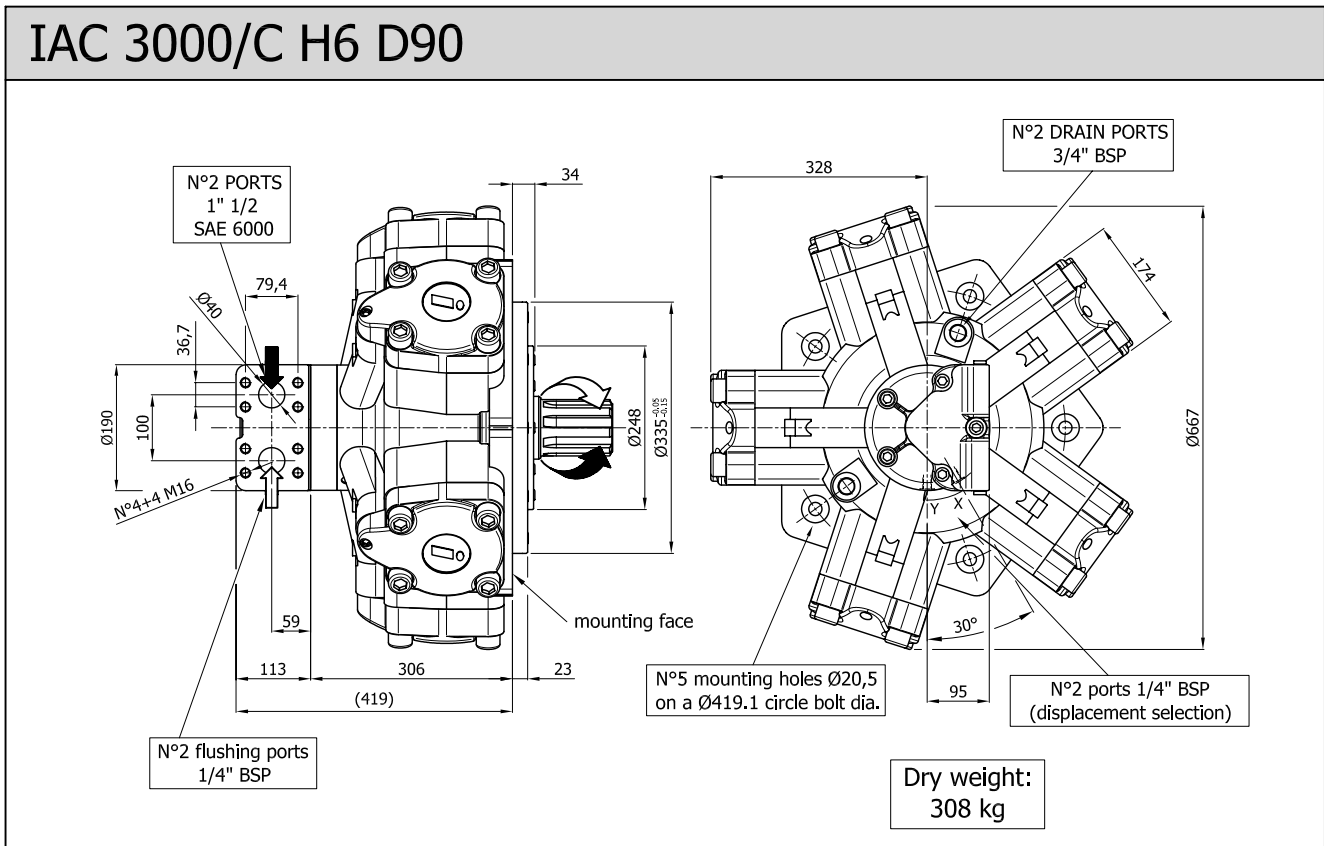
Mounting face



INTERCHANGEABLE WITH MRD2800

SIZE

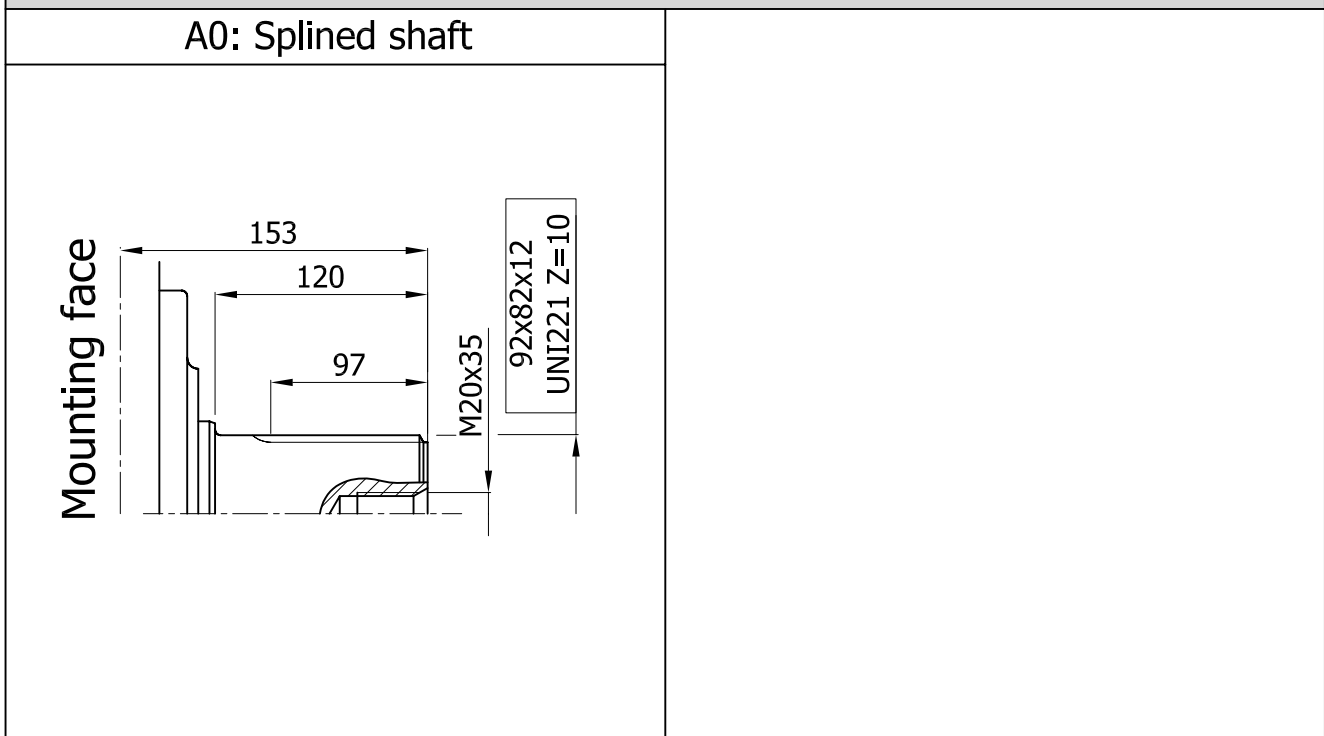
IAC 3000/C H6 D90



SHAFT

IAC 3000/C H6 D90

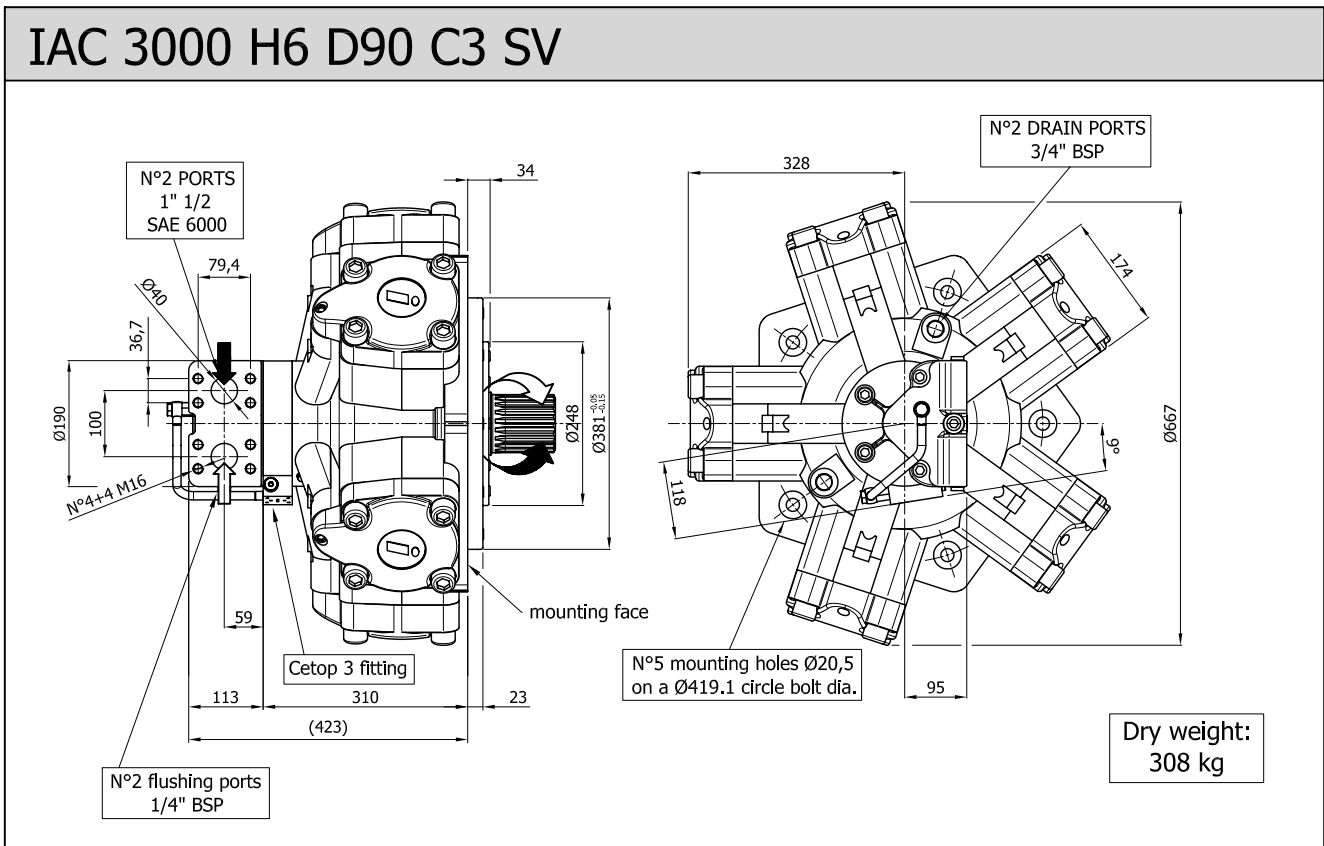
A0: Splined shaft



INTERCHANGEABLE WITH HMC200

SIZE

IAC 3000 H6 D90 C3 SV



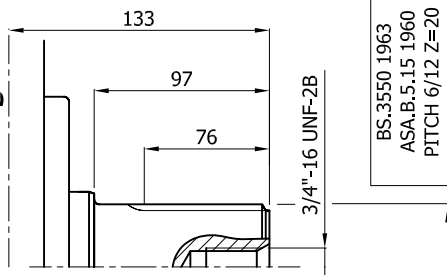
SHAFT

IAC 3000 H6 D90 C3 SV

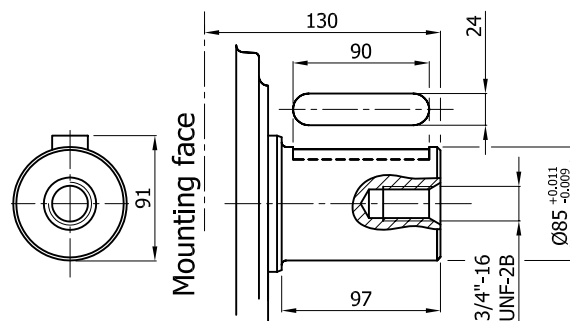
A1: Splined shaft

A2: Parallel shaft

Mounting face



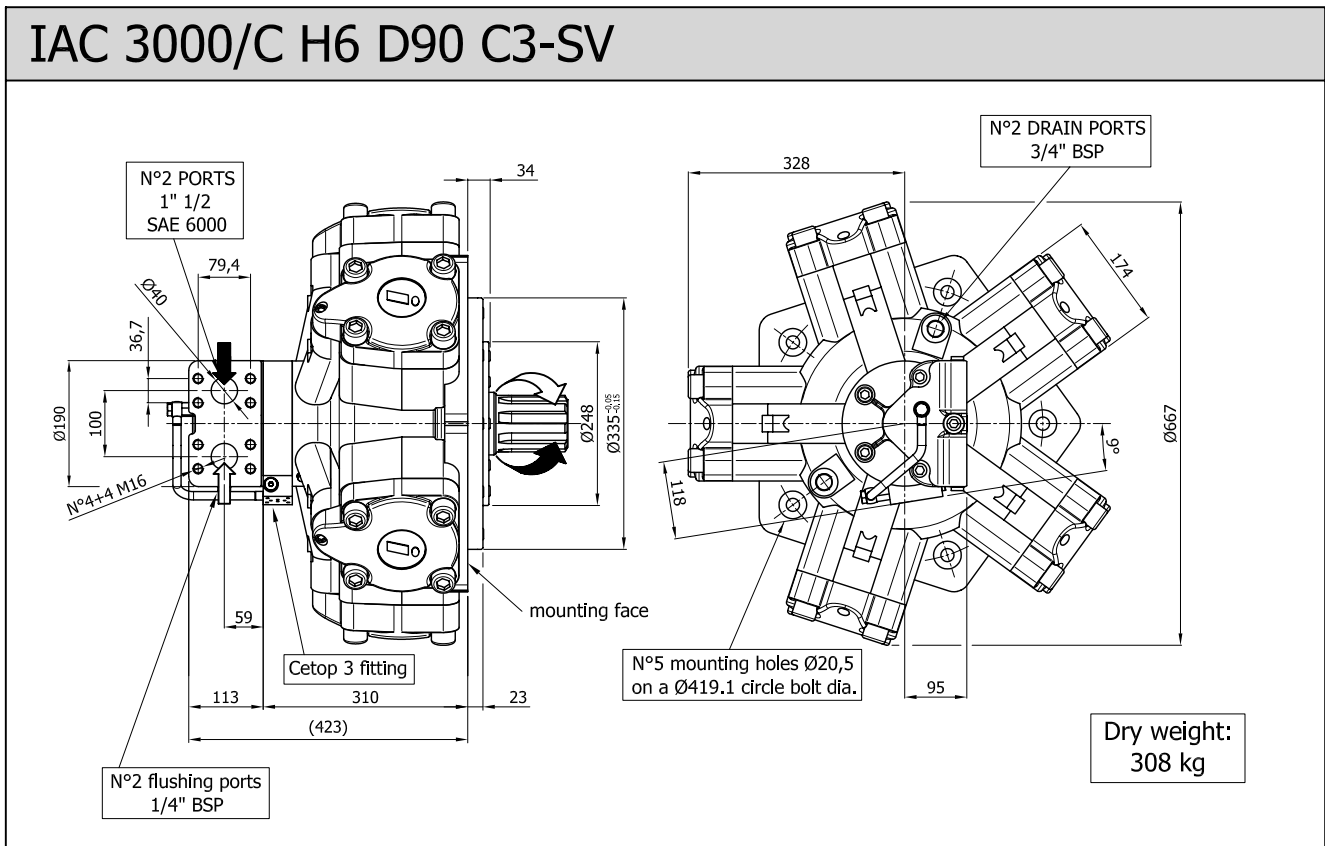
Mounting face



INTERCHANGEABLE WITH MRD2800

SIZE

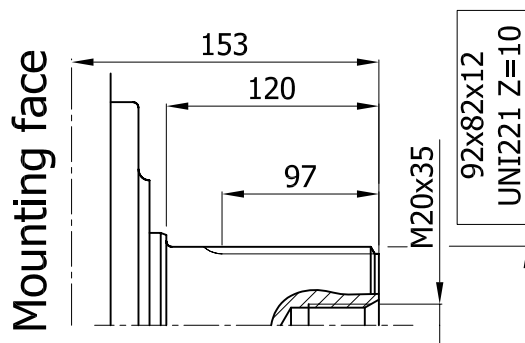
IAC 3000/C H6 D90 C3-SV



SHAFT

IAC 3000/C H6 D90 C3-SV

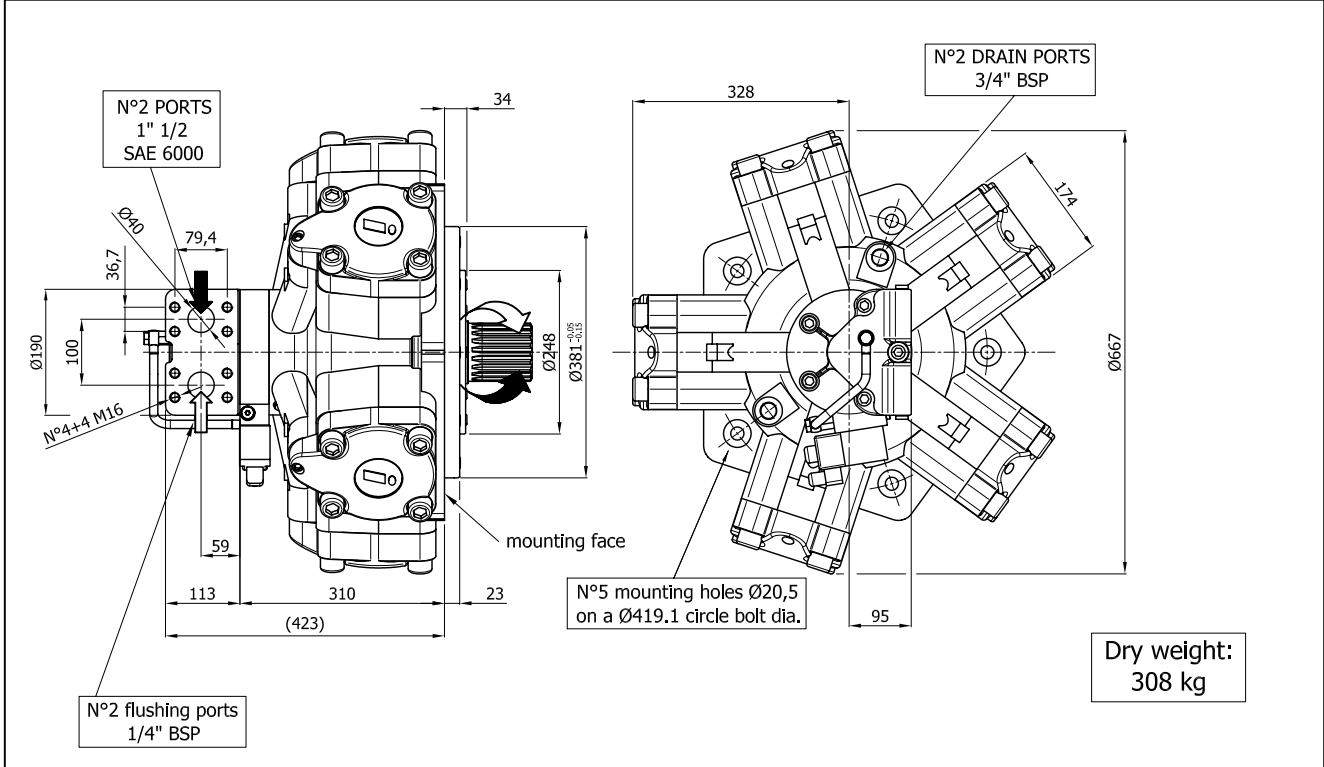
A0: Splined shaft



INTERCHANGEABLE WITH HMC200

SIZE

IAC 3000 H6 D90 C3-24 SV



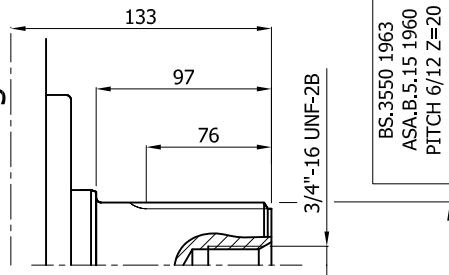
SHAFT

IAC 3000 H6 D90 C3-24 SV

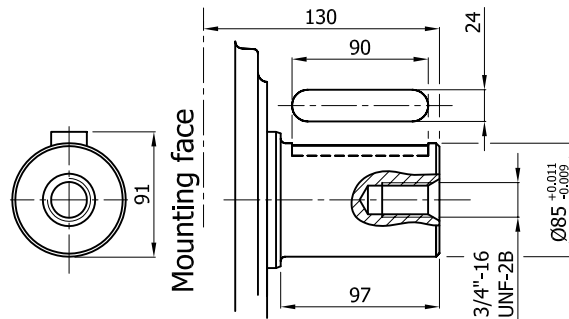
A1: Splined shaft

A2: Parallel shaft

Mounting face



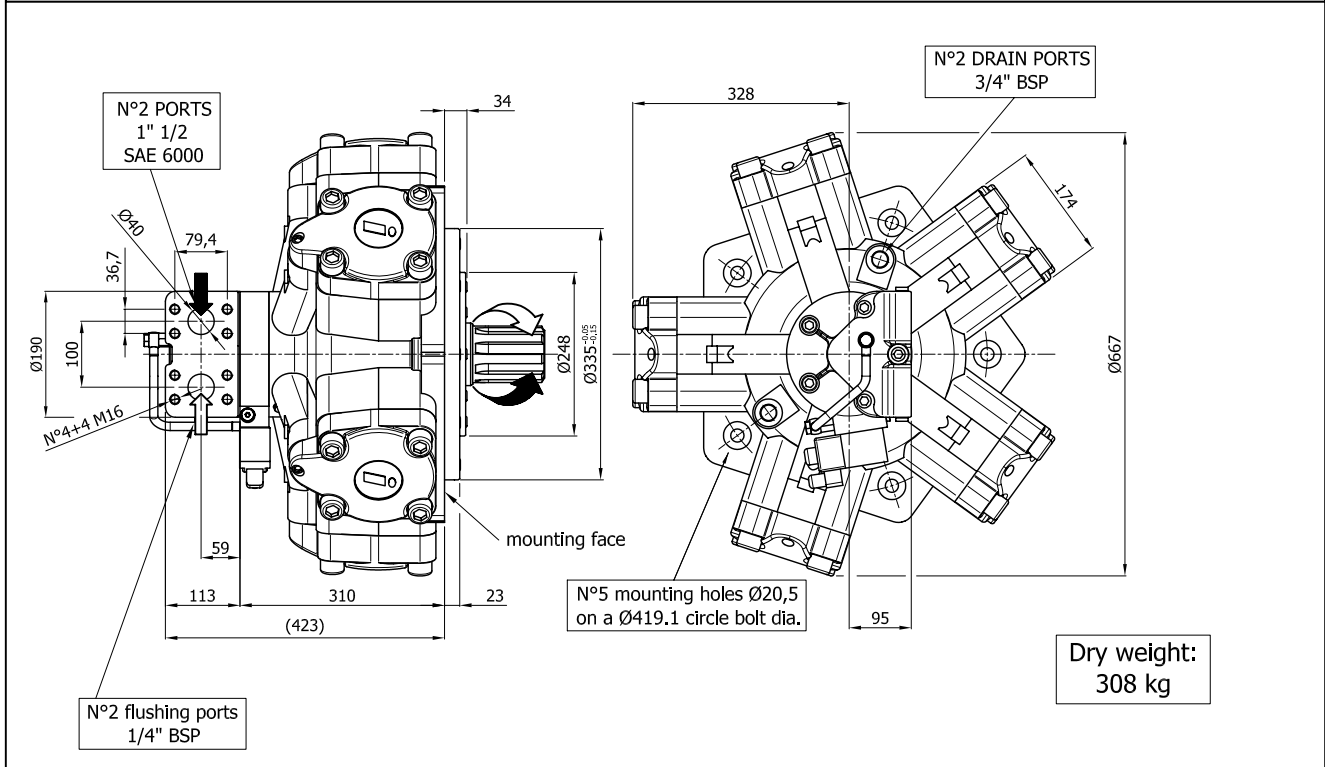
Mounting face



INTERCHANGEABLE WITH MRD2800

SIZE

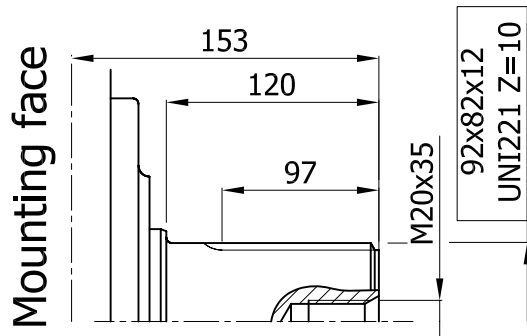
IAC 3000/C H6 D90 C3-24 SV



SHAFT

IAC 3000/C H6 D90 C3-24 SV

A0: Splined shaft



ORDERING INSTRUCTIONS

IAC H6

	IAC --	/-	H1	A -	D --	---	---	SV	SB -	---	---	---	---
Motor model IAC 3000													
Motor interchangeability /C													
Housing H6													
Shaft													
A0 splined shaft													
A1 splined shaft													
A2 parallel shaft													
Distributor													
D90 (SAE 6000 1" 1/2)													
Tachometer (optional)													
TA													
TB													
EST													
EST.30													
J TACHOMETER PREDISPOSITION													
Cetop 3 fitting (optional)													
C3 (Cetop 3 fitting)													
C3-12 (Cetop 3 fitting, with 12V DC valve included)													
C3-24 (Cetop 3 fitting, with 24V DC valve included)													
Shuttle valve (optional)													
SV													
Spline billet (optional)													
SB9 (for A0 splined shaft)													
SB10 (for A1 splined shaft)													
Valves (optional)													
RVDA													
OVSA (see valve section for details and complete ordination code)													
OVDA													
ORVSA													
RVDAP													
Special features (optional)													
01 (Viton seals)													
02 (Oxynit treatment on the external motor surface)													
03 (Nitemper treatment on cylinder bores)													
Conversion flange (optional) (see conversion flanges section)													
FL7 (for IAC 3000 H6 D90)													
Displacements													
MAX-MIN (MAXIMUM AND MINIMUM DISPLACEMENT OF MOTOR)													

IAC 3000 H6 Max displacement range: 3085-1640 cc/Rev
Min displacement range: 2290-330 cc/Rev

Different displacements on request

EXAMPLE: IAC.3000.H6.A1.D90.C3-24.SV.2950-1640
IAC.3000/C.H6.A0.D90.J.C3.SV.2290-1150

INTERMOT DUAL DISPLACEMENT MOTORS

IAC SERIES

IAC 4600 H7 – IAC 5400 H7

IAC 4600 H7
IAC 5400 H7

INDEX

TECHNICAL DATA IAC 4600 H7 - - - - -	<i>Pag.</i>	43
TECHNICAL DATA IAC 5400 H7 - - - - -	"	44
- <i>STANDARD SERIES – SIZE & SHAFT –</i>		
IAC 4600 H7/ IAC 5400 H7 - - - - -	"	45
TACHOMETER - - - - -	"	46
SPLINED BILLET - - - - -	"	47
ORDERING INSTRUCTIONS - - - - -	"	48



Factory 19 / 5 Lyn Parade PRESTONS NSW 2170

Ph: (02) 9607 4100 Fax: (02) 9607 4200

TECHNICAL DATA

IAC 4600 H7

CONT.PRESSURE	250 Bar
INT.PRESSURE	275 Bar
PEAK.PRESSURE	300 Bar
MAX.DRAIN.PRESSURE	6.0 Bar
DRY WEIGHT	405 Kg
TEMP.INTERVAL	-30 +70°C

		MAX DISPLACEMENT			
MAX DISPLACEMENT	cc/Rev	4617	4177	3650	3298
SPECIFIC TORQUE	Nm/bar	69.8	63.1	54.6	49.3
MAX.SPEED	Rpm	120	130	145	160
CONT.PRESSURE	Bar	250			
MAX. .POWER	Kw	190	180	162	150

		MIN DISPLACEMENT								
MIN DISPLACEMENT	cc/Rev	3280	2950	2625	2295	1970	1650	1310	980	655
SPECIFIC TORQUE	Nm/bar	49.0	43.6	38.3	33.2	27.9	22.4	17.1	12.2	7.9
MAX.SPEED	Rpm	160	185	200	230	270	325	350	350	350
CONT.PRESSURE	Bar	250								
MAX. .POWER	Kw	150	139	128	116	104	89	73	57	38

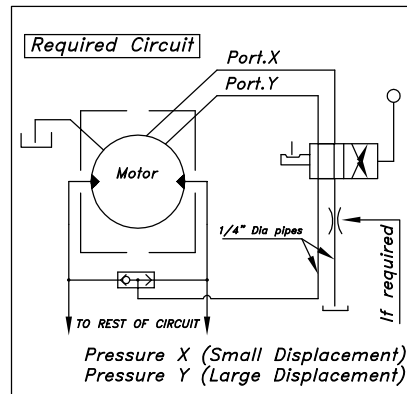
High displacement code. from 4617 to 3298
 Low displacement code. from 3280 to 655

DIFFERENT DISPLACEMENT ON REQUEST

NOTES

Displacement change sistem is realized HYDRAULICALLY & requires system pressure for operation
 One port must be presurised continuously to maintain given capacity, other port is connected to drain

If flushing is needed the recommended flushing flow is 15-20 l/min.



For this motor is available the minimum displacement 0 cc/Rev, for this purpose contact Intermot technical departement.

- N° of pistons: 7
- Minimum speed: 0.5 rpm

TECHNICAL DATA

IAC 5400 H7

CONT.PRESSURE	250 Bar
INT.PRESSURE	275 Bar
PEAK.PRESSURE	300 Bar
MAX.DRAIN.PRESSURE	6.0 Bar
DRY WEIGHT	405 Kg
TEMP.INTERVAL	-30 +70°C

		MAX DISPLACEMENT				
MAX DISPLACEMENT	cc/Rev	5330	4617	4177	3650	3298
SPECIFIC TORQUE	Nm/bar	80.5	69.8	63.1	54.6	49.3
MAX.SPEED	Rpm	115	120	130	145	160
CONT.PRESSURE	Bar	250				
MAX. .POWER	Kw	210	190	180	162	150

		MIN DISPLACEMENT									
MIN DISPLACEMENT	cc/Rev	3280	2950	2625	2295	1970	1650	1310	980	655	
SPECIFIC TORQUE	Nm/bar	49.0	43.6	38.3	33.2	27.9	22.4	17.1	12.2	7.9	
MAX.SPEED	Rpm	160	185	200	230	270	325	350	350	350	
CONT.PRESSURE	Bar	250									
MAX. .POWER	Kw	150	139	128	116	104	89	73	57	38	

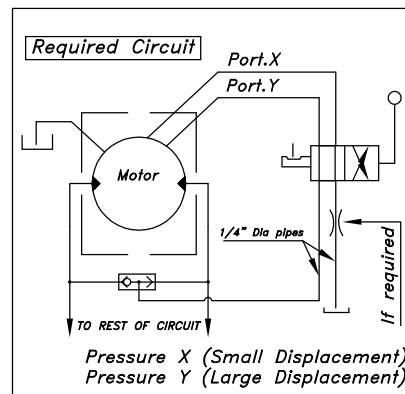
High displacement code. from 5330 to 3298
 Low displacement code. from 3280 to 655

DIFFERENT DISPLACEMENT ON REQUEST

NOTES

Displacement change sistem is realized HYDRAULICALLY & requires system pressure for operation
 One port must be presurised continuously to maintain given capacity, other port is connected to drain

If flushing is needed the recommended flushing flow is 15-20 l/min.

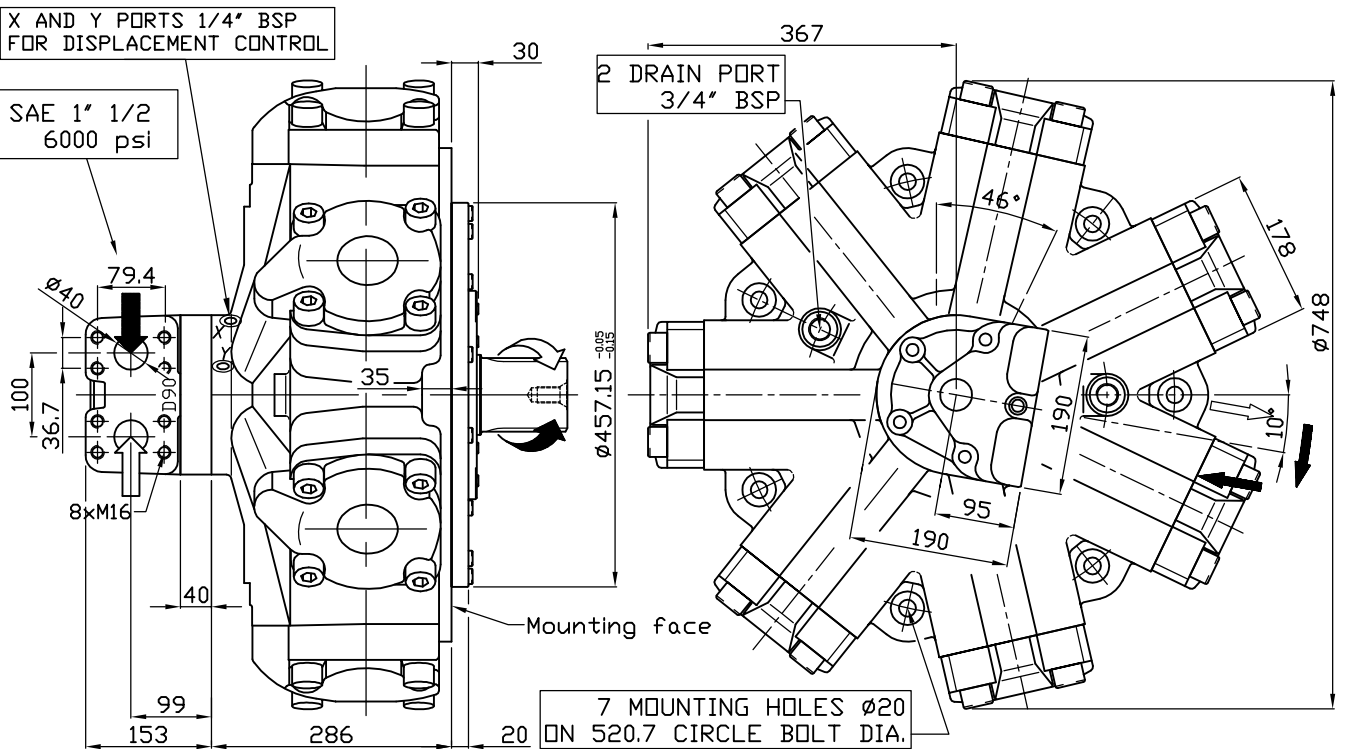


For this motor is available the minimum displacement 0 cc/Rev, for this purpose contact Intermot technical departement.

- N° of pistons: 7
- Minimum speed: 0.5 rpm

SIZE

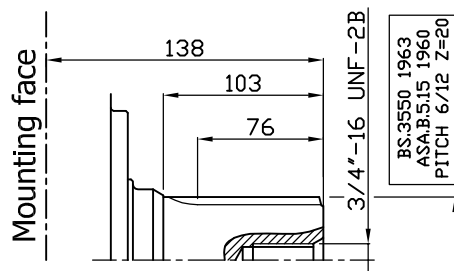
IAC 4600 H7 – IAC 5400 H7



SHAFT

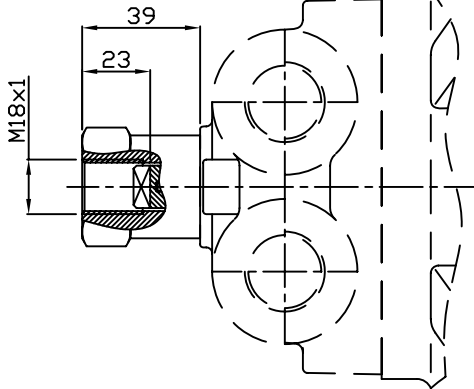
IAC 4600 H7 – IAC 5400 H7

A1: Splined Shaft

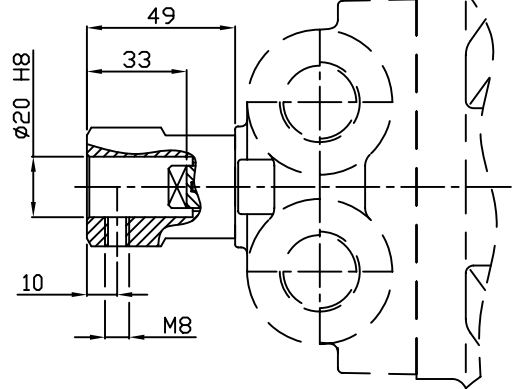


TACHOMETER

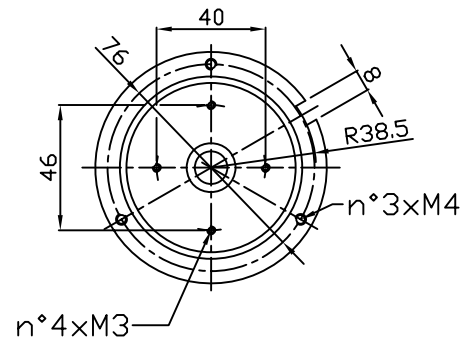
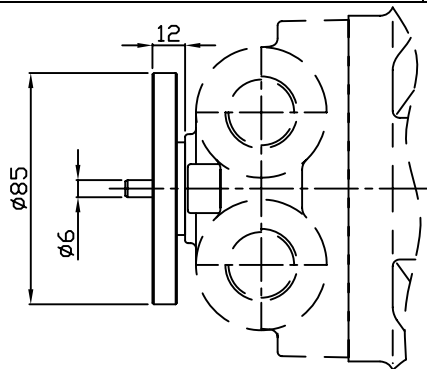
TA



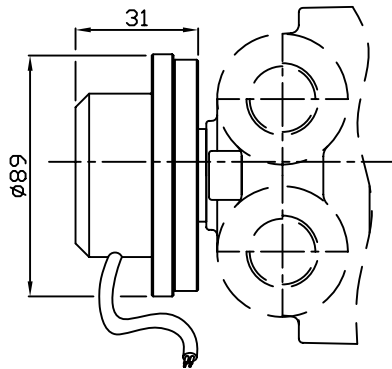
TB



EST



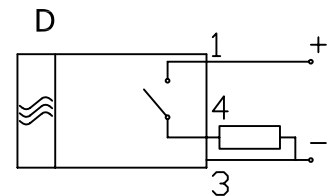
EST.30



Operating parameters	E-..../3
Power supply (VDC)	10-30
Switching current (mA)	150
Frequency (Hz) 100rpm	50
Impulse/rpm	30
Operating temp. (°C)	-24/+70
Protection degree	IP67
Output	NPN
Motor type	All types

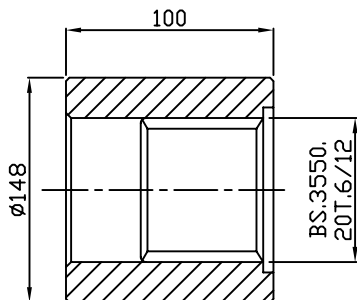
MODEL	Ø5
Torque	1 Nm

Model	Output	Fig.
E-..../.AP/....	PNP	D

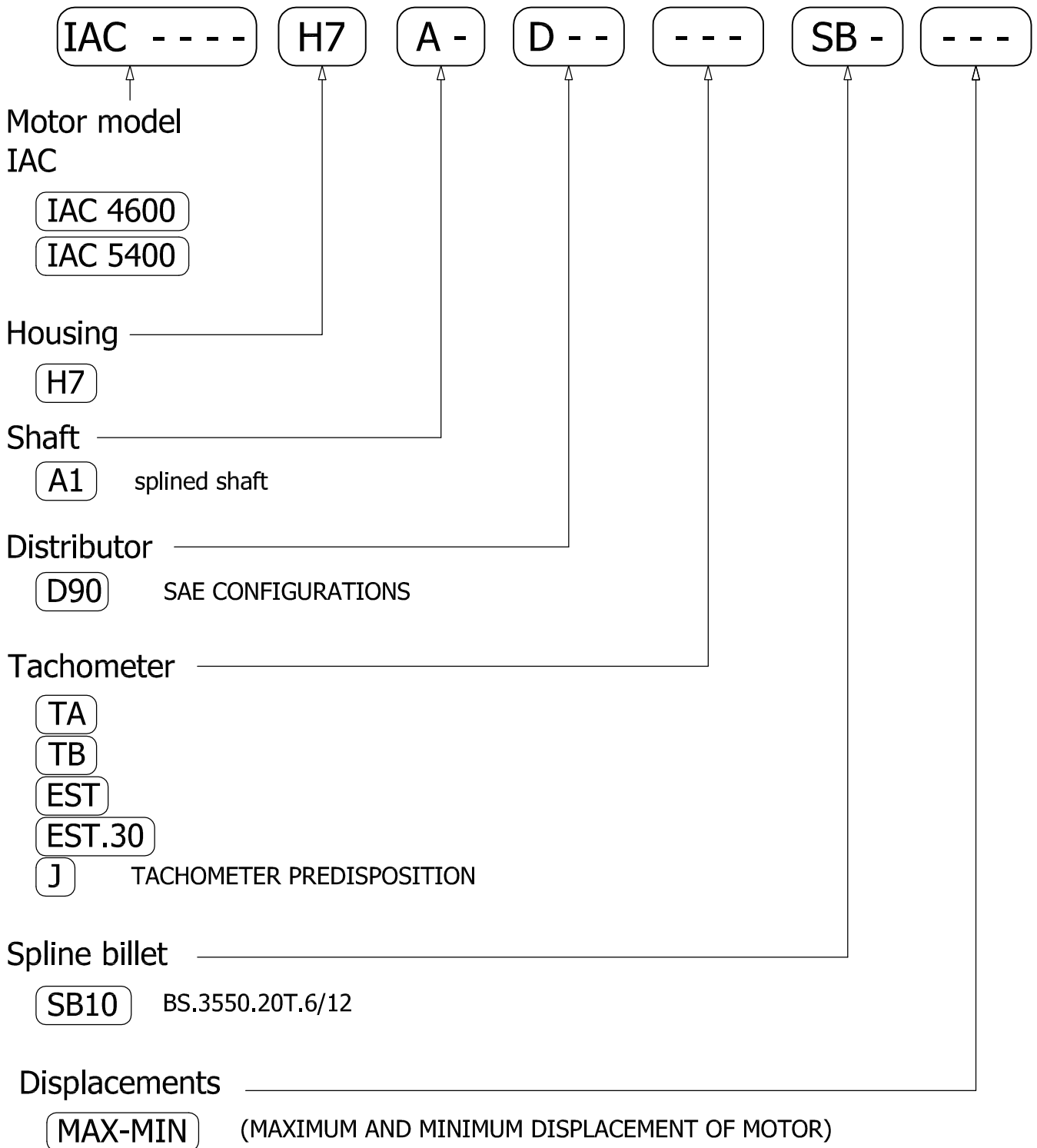


SPLINED BILLET

SB10



ORDERING INSTRUCTIONS IAC 4600 H7 - IAC 5400 H7



EXAMPLE: IAC.4600.H7.A1.D90.4617-1310
IAC.4600.H7.A1.D90.TA.SB10.4617-1650
IAC.5400.H7.A1.D90.5330-1310