

---

# ***INTERMOT - ADVANCED - MOTORS***

## ***IAM SERIES***

---

## ***ACCESSORIES***

---

***VALVES:******RVDA SERIES******OVSA SERIES******OVDA SERIES******ORVSA SERIES******RVDAP SERIES******TACHOMETER******SPLINE BILLET******CONVERSION FLANGES***

---

## ***INDEX***

---

INTERMOT VALVES GENERAL INFORMATION - - - - -	<i>Pag.</i>	71
RVDA SERIES – SIZE AND TECHNICAL DATA		
RVDA 80 - - - - -	"	72
RVDA 200 - - - - -	"	73
RVDA 380 - - - - -	"	74
OVSA SERIES – SIZE AND TECHNICAL DATA		
OVSA 160 - - - - -	"	75
OVSA 300 - - - - -	"	76
OVSA 480 - - - - -	"	77
OVDA SERIES – SIZE AND TECHNICAL DATA		
OVDA 160 - - - - -	"	78
OVDA 300 - - - - -	"	79

---

OVDA 480 - - - - -	”	80
ORVSA SERIES – SIZE AND TECHNICAL DATA		
OVSA 160 - - - - -	”	81
OVSA 300 - - - - -	”	82
OVSA 480 - - - - -	”	83
RVDAP SERIES – SIZE AND TECHNICAL DATA		
RVDAP 80 - - - - -	”	84
VALVES ORDERING INSTRUCTIONS - - - - -	”	85
TACHOMETER - - - - -	”	86
SPLINE BILLET - - - - -	”	87
CONVERSION FLANGES - - - - -	”	88

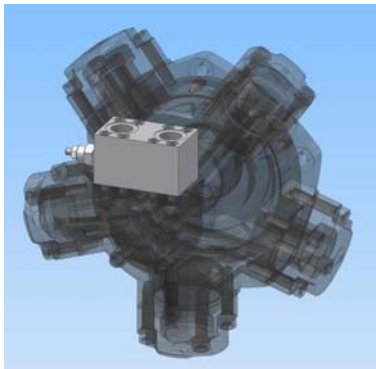
## ***INTERMOT VALVES GENERAL INFORMATION***

INTERMOT can supply a wide range of flangeable valves, that can be easily mounted on INTERMOT hydraulic motors.

### **OVERCENTER VALVE**

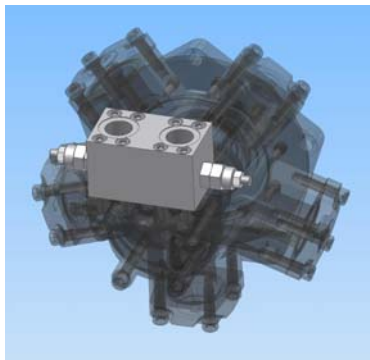
The overcenter valves are required when static and dynamic control is needed.

#### Single overcenter valve



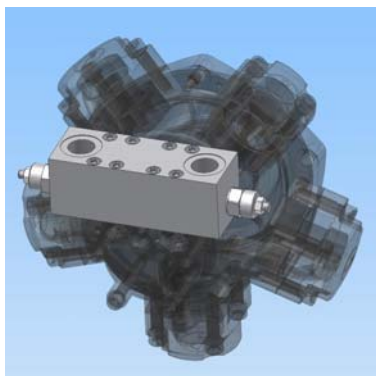
The single overcenter valve (OVSA) is used for unidirectional loads. The single overcenter valve can be supplied with an integrated relief valve too (ORVSA serie).

#### Dual overcenter valve



The dual overcenter valve (OVDA) is used for bidirectional loads.

### **DUAL RELIEF VALVE**



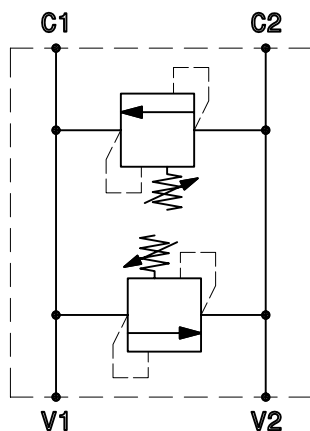
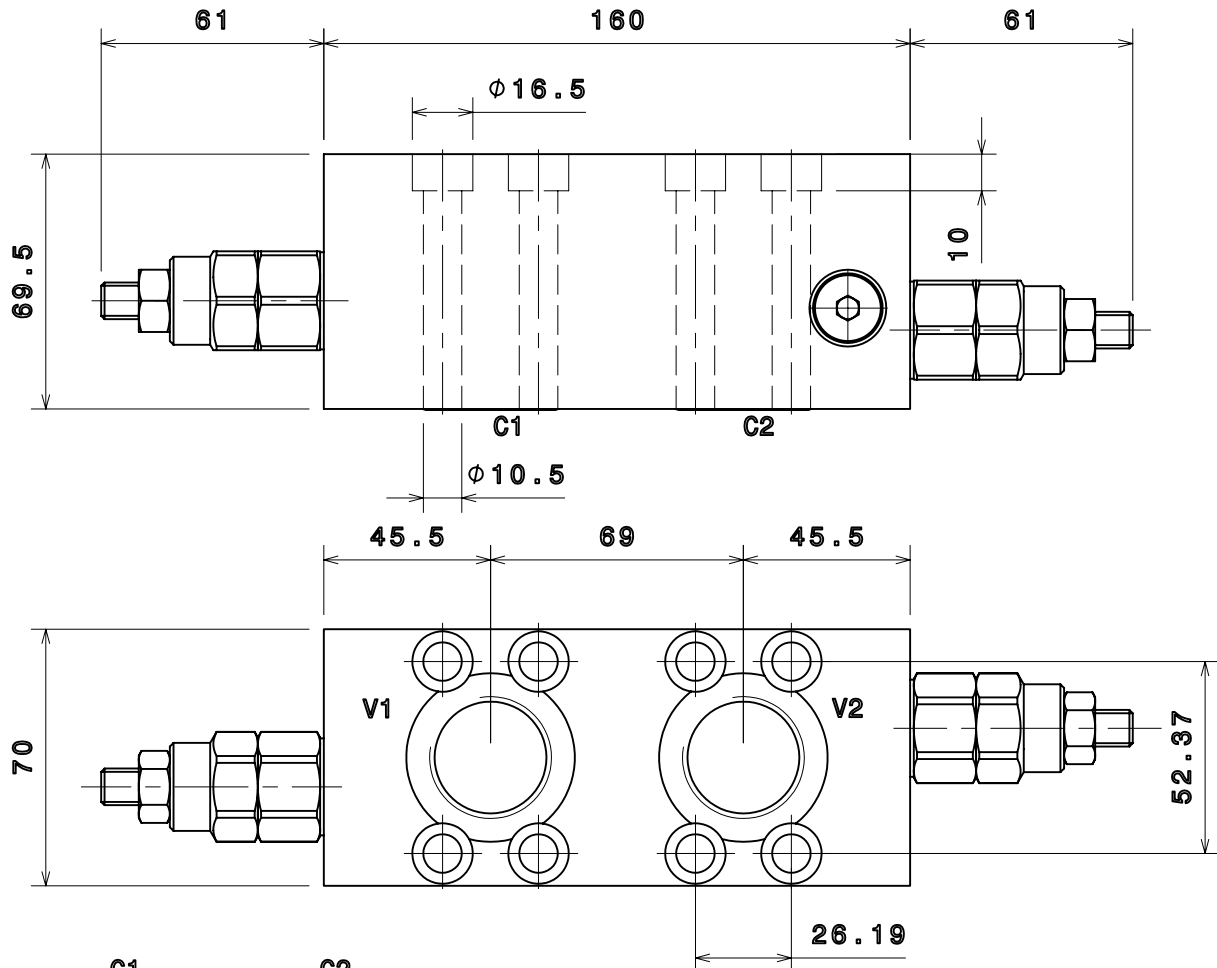
The dual cross over relief valve (RVDA) is used to avoid motor pressure peaks. The maximum pressure can be set adjusting the relief valve screw. The dual cross relief valve can be supplied with an integrated flushing valve (RVDAP serie).

On request, the RVDA valves can be mounted together with OVSA or OVDA valves. For further details please contact Intermot S.r.l. technical department.

## SIZE AND TECHNICAL DATA

RVDA 80

RVDA SERIES



PORTS DIMENSION	
V1,V2	1" BSPP
C1,C2	O-ring 2-125

### TECHNICAL DATA

Material	Anodized aluminium corrosion resistant	
Maximum pressure	300 bar	
Maximum flow rate	80 l/min	
Relief valve setting range	A	20-100 bar standard setting 80 bar
	B	40-250 bar standard setting 180 bar
	C	60-350 bar standard setting 250 bar

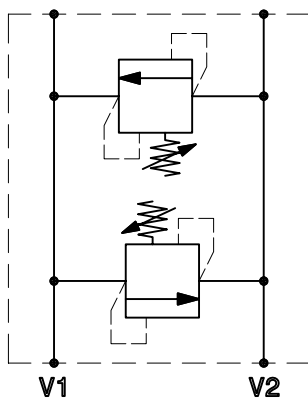
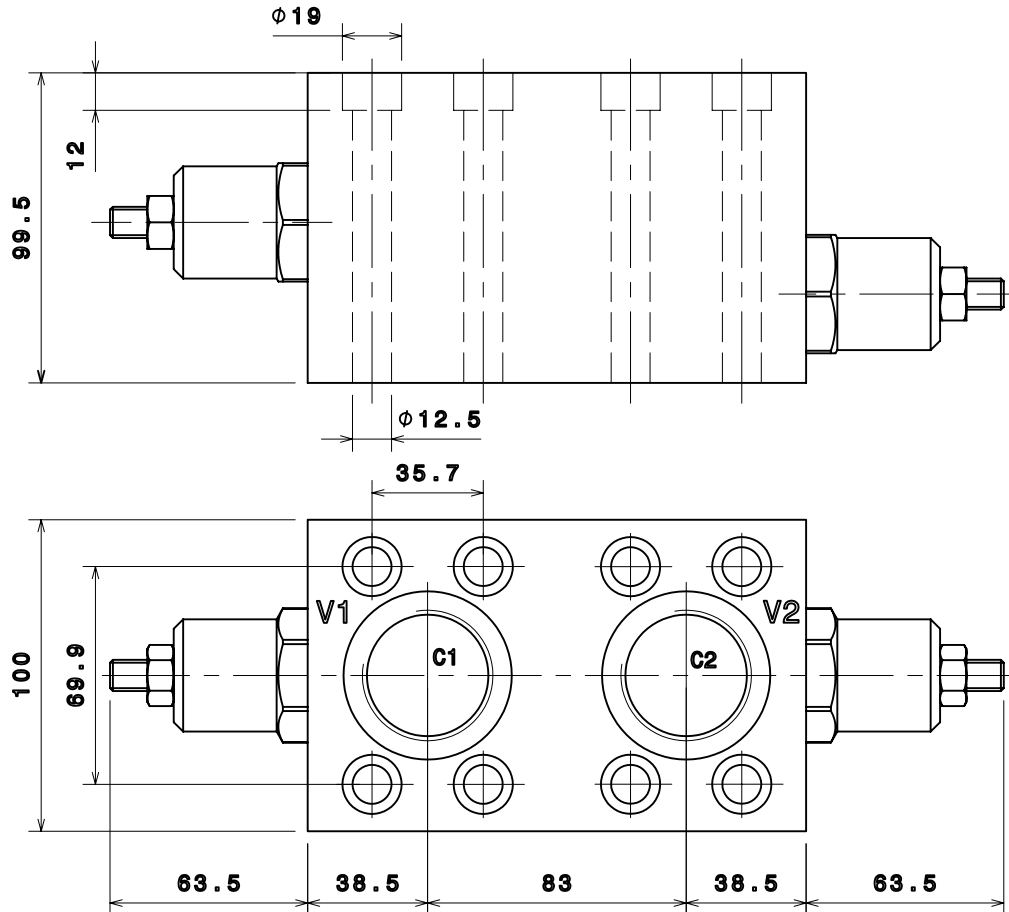
Intermot distributor fitting

**D47**

## SIZE AND TECHNICAL DATA

RVDA 200

RVDA SERIES



PORTS DIMENSION	
V1,V2	1"1/4 BSPP
C1,C2	O-Ring 2-224

TECHNICAL DATA	
Material	Anodized aluminium corrosion resistant
Maximum pressure	300 bar
Maximum flow rate	200 l/min
Relief valve setting range	A
	20-100 bar standard setting 80 bar
	B
40-250 bar standard setting 180 bar	
C	
60-350 bar standard setting 250 bar	

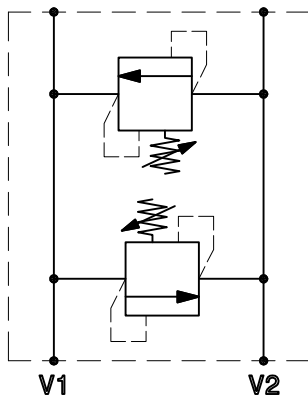
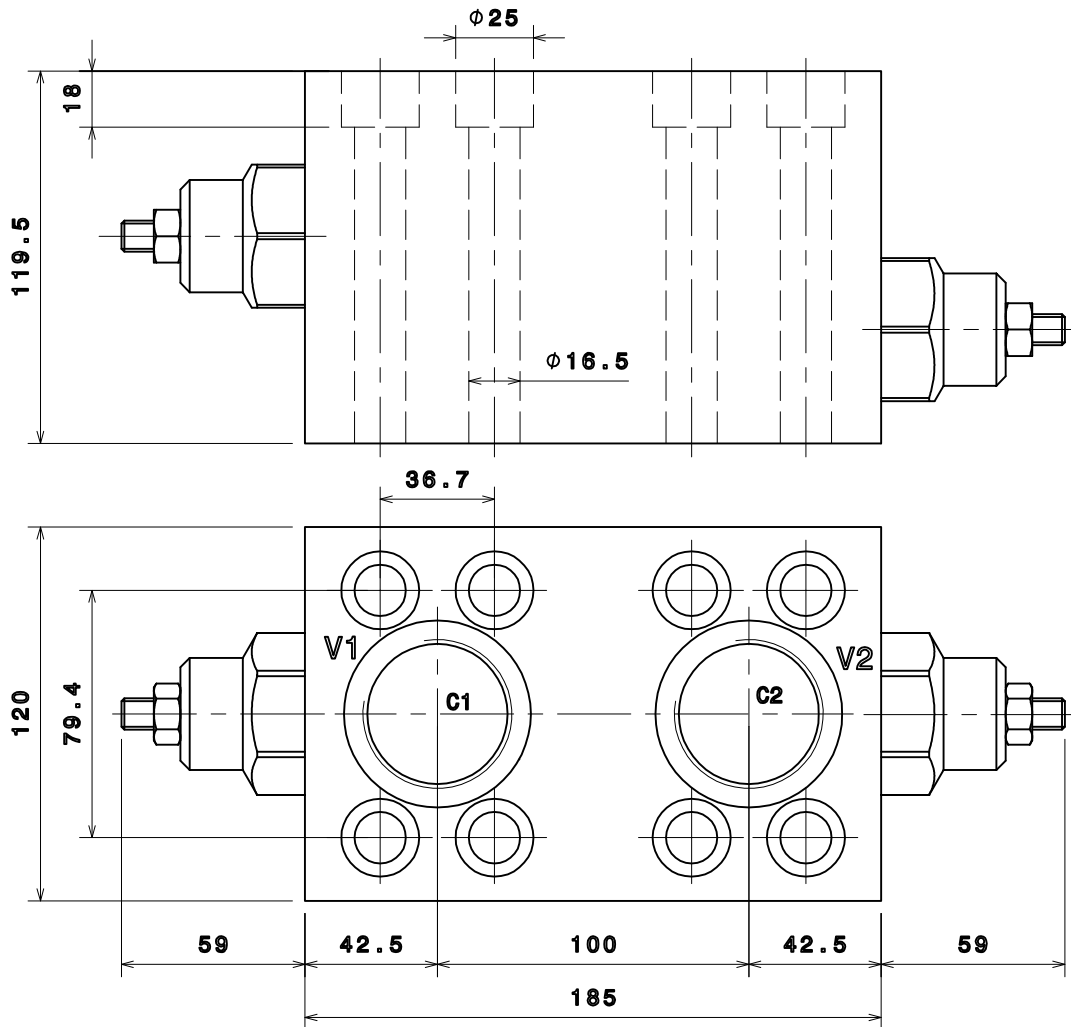
Intermot distributor fitting

**D75**

## SIZE AND TECHNICAL DATA

RVDA 380

RVDA SERIES



PORTS DIMENSION	
V1,V2	1"1/2 BSPP
C1,C2	O-Ring 2-225

### TECHNICAL DATA

Material	Anodized aluminium corrosion resistant	
Maximum pressure	300 bar	
Maximum flow rate	380 l/min	
Relief valve setting range	A	20-100 bar standard setting 80 bar
	B	40-250 bar standard setting 180 bar
	C	60-350 bar standard setting 250 bar

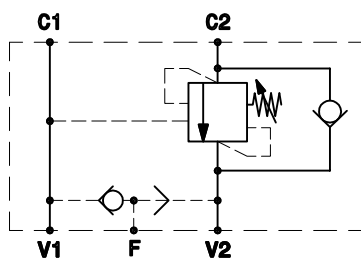
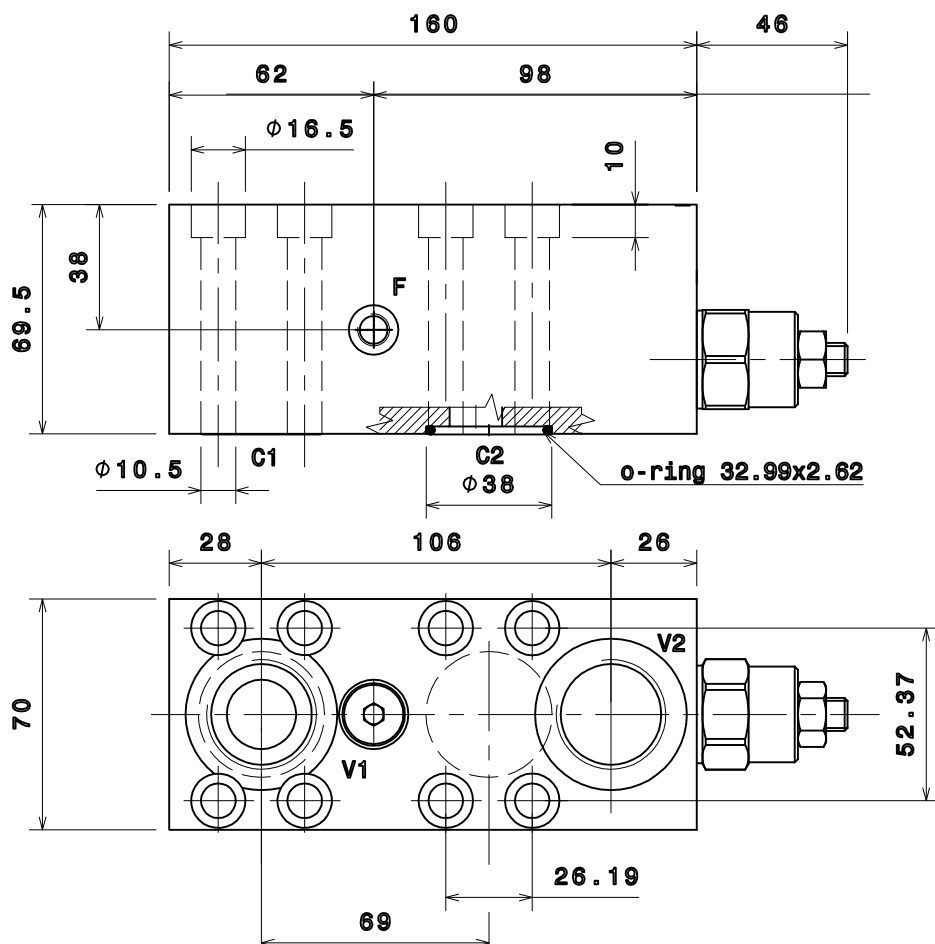
Intermot distributor fitting

**D90**

## SIZE AND TECHNICAL DATA

OVSA 160

OVSA SERIES



PORTS DIMENSION	
V1,V2	1" BSPP
C1,C2	O-ring 2-125
F	1/4" BSPP

### TECHNICAL DATA

Material	Anodized aluminium corrosion resistant	
Peak pressure	350 bar	
Maximum pressure	270 bar	
Maximum flow rate	150 l/min	
Pilot ratio	1	3:1
	2	4.25:1
	3	8:1
	4	10:1
Relief valve setting range	A	20-200 bar standard setting 100 bar
		B

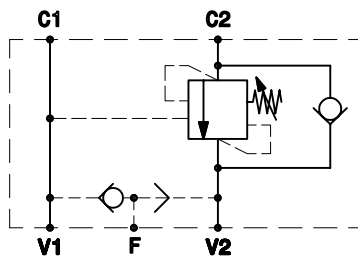
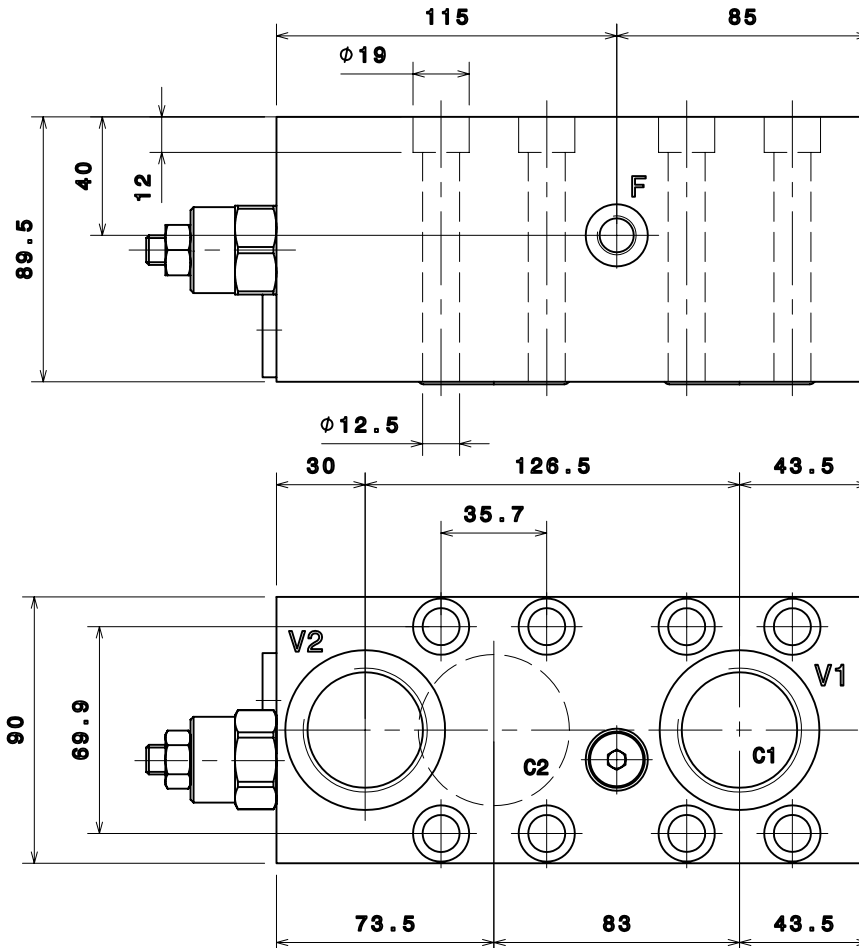
Intermot distributor fitting

**D47**

## SIZE AND TECHNICAL DATA

OVSA 300

OVSA SERIES



PORTS DIMENSION	
V1,V2	1"1/4 BSPP
C1,C2	O-Ring 2-224
F	1/4" BSPP

TECHNICAL DATA	
Material	Anodized aluminium corrosion resistant
Peak pressure	350 bar
Maximum pressure	300 bar
Maximum flow rate	300 l/min
Pilot ratio	1 3:1
	2 4.25:1
	3 8:1
	4 10:1
Relief valve setting range	A 20-200 bar standard setting 100 bar
	B 50-350 bar standard setting 280 bar

Intermot distributor fitting

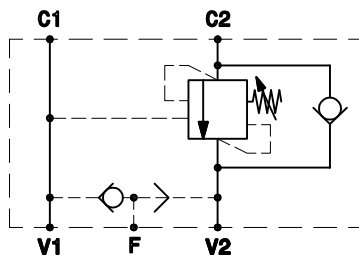
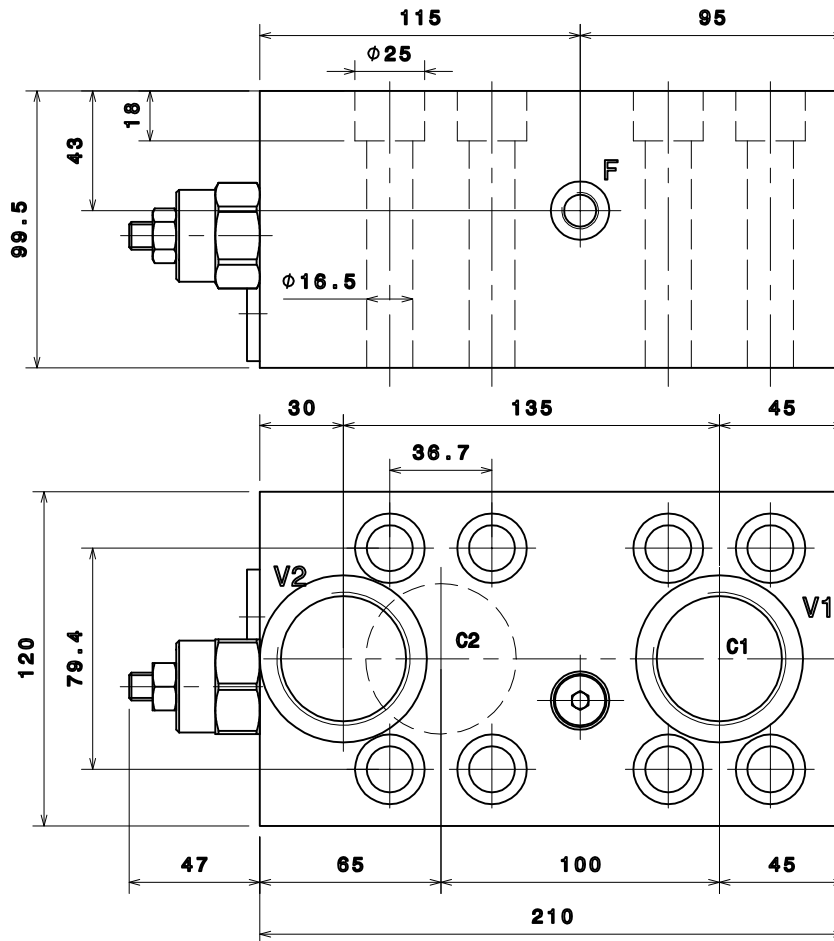
**D75**



## SIZE AND TECHNICAL DATA

OVSA 480

OVSA SERIES



PORTS DIMENSION	
V1,V2	1"1/2 BSPP
C1,C2	O-Ring 2-225
F	1/4" BSPP

TECHNICAL DATA	
Material	Anodized aluminium corrosion resistant
Peak pressure	350 bar
Maximum pressure	300 bar
Maximum flow rate	480 l/min
Pilot ratio	1 3:1
	2 4.25:1
	3 8:1
	4 10:1
Relief valve setting range	A 20-200 bar standard setting 100 bar
	B 50-350 bar standard setting 280 bar

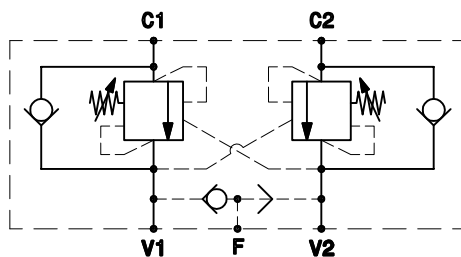
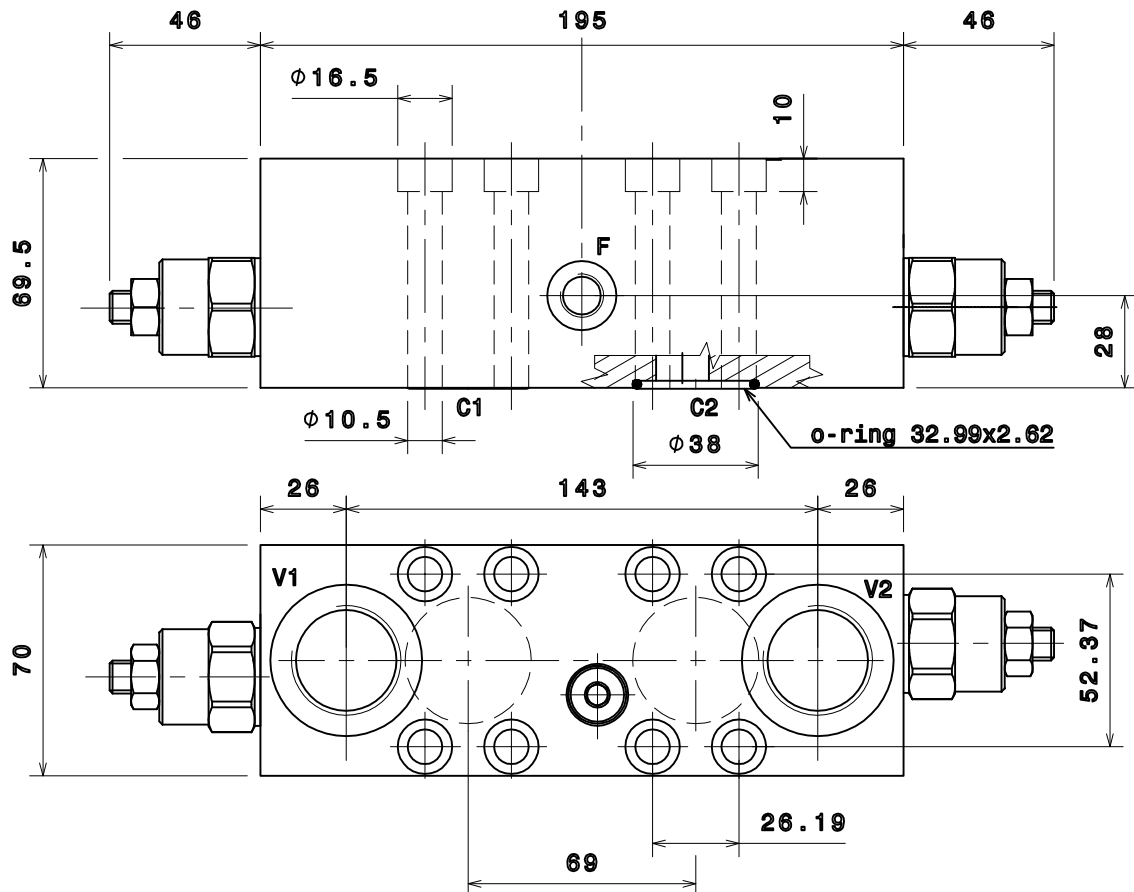
Intermot distributor fitting

**D90**

## SIZE AND TECHNICAL DATA

OVDA 160

OVDA SERIES



PORTS DIMENSION	
V1,V2	1" BSPP
C1,C2	O-ring 2-125
F	1/4" BSPP

TECHNICAL DATA	
Material	Anodized aluminium corrosion resistant
Peak pressure	350 bar
Maximum pressure	270 bar
Maximum flow rate	150 l/min
Pilot ratio	1 3:1
	2 4.25:1
	3 8:1
	4 10:1
Relief valve setting range	A 20-200 bar standard setting 100 bar
	B 50-350 bar standard setting 280 bar

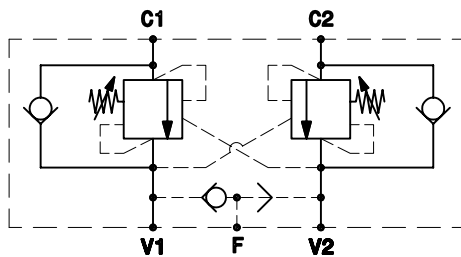
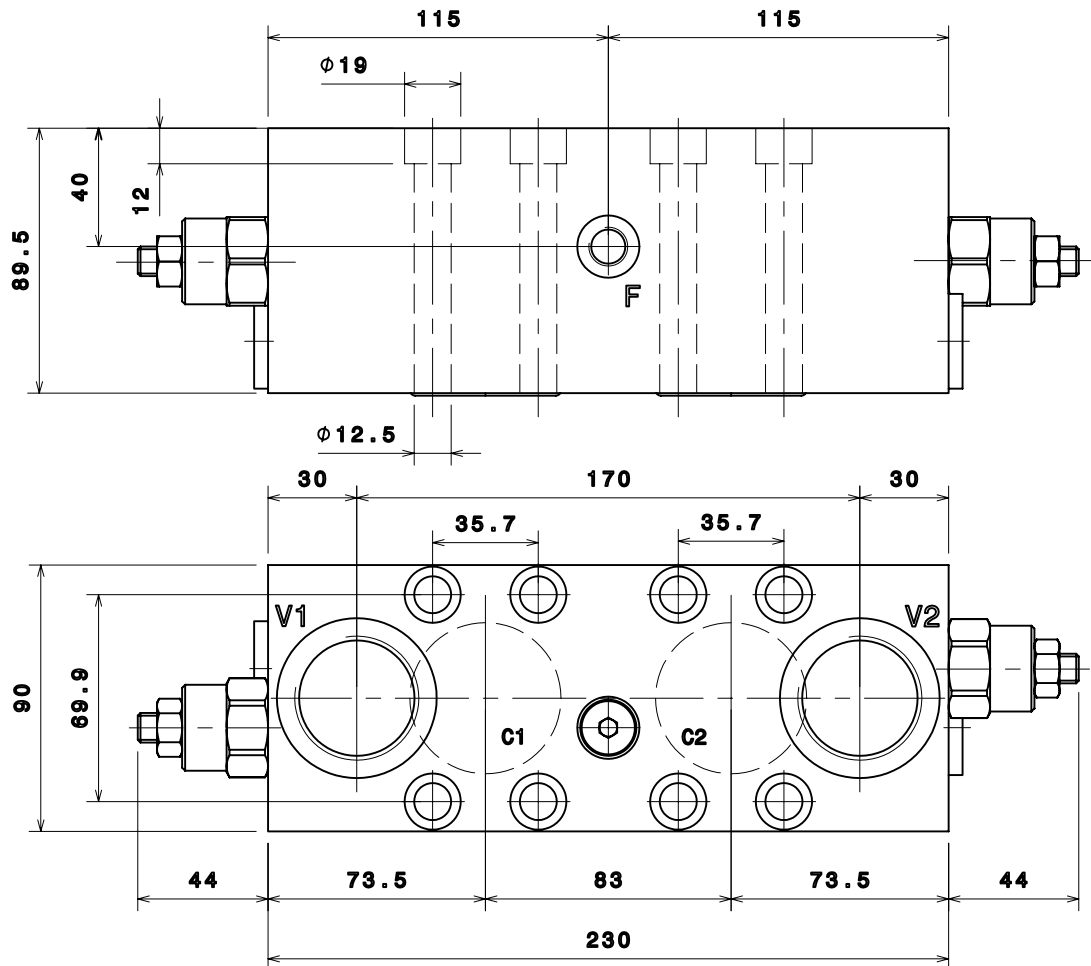
Intermot distributor fitting

**D47**

## SIZE AND TECHNICAL DATA

OVDA 300

OVDA SERIES



PORTS DIMENSION	
V1,V2	1"1/4 BSPP
C1,C2	O-Ring 2-224
F	1/4" BSPP

### TECHNICAL DATA

Material	Anodized aluminium corrosion resistant	
Peak pressure	350 bar	
Maximum pressure	300 bar	
Maximum flow rate	300 l/min	
Pilot ratio	1	3:1
	2	4.25:1
	3	8:1
	4	10:1
Relief valve setting range	A	20-200 bar standard setting 100 bar
	B	50-350 bar standard setting 280 bar

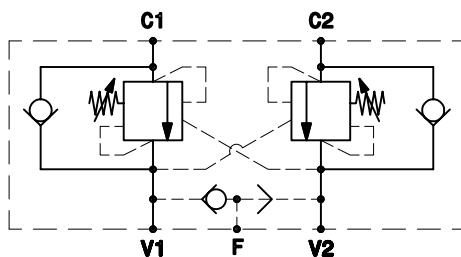
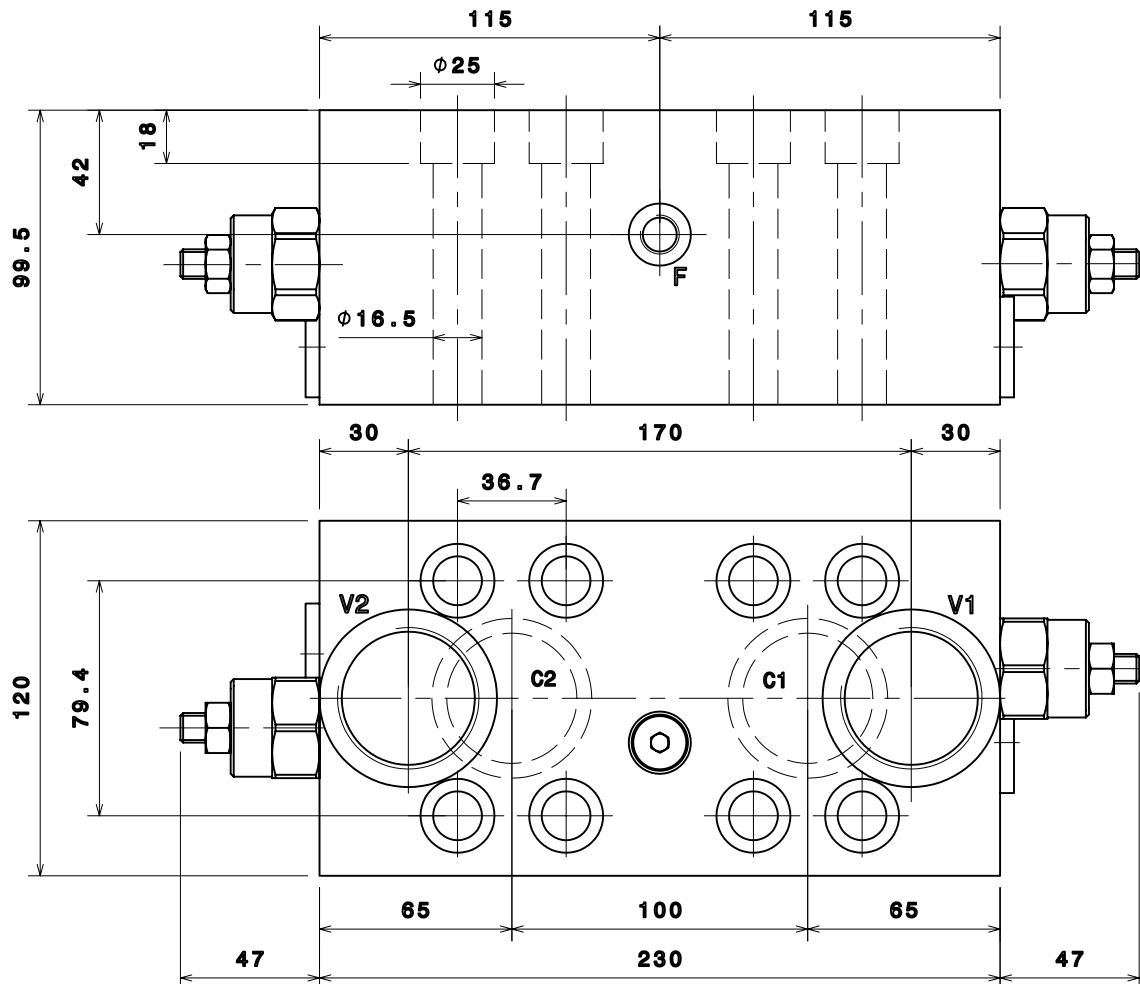
Intermot distributor fitting

**D75**

## SIZE AND TECHNICAL DATA

OVDA 480

OVDA SERIES



PORTS DIMENSION	
V1,V2	1"1/2 BSPP
C1,C2	O-Ring 2-225
F	1/4" BSPP

TECHNICAL DATA	
Material	Anodized aluminium corrosion resistant
Peak pressure	350 bar
Maximum pressure	300 bar
Maximum flow rate	480 l/min
Pilot ratio	1 3:1
	2 4.25:1
	3 8:1
	4 10:1
Relief valve setting range	A 20-200 bar standard setting 100 bar
	B 50-350 bar standard setting 280 bar

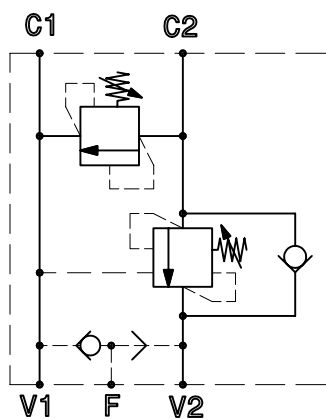
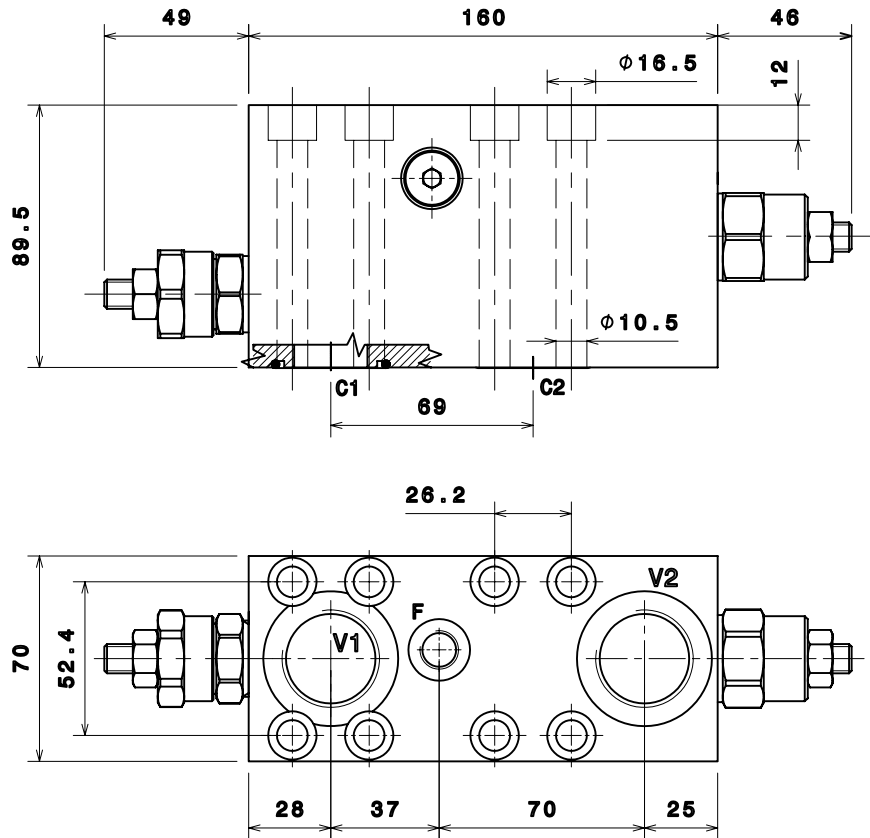
Intermot distributor fitting

**D90**

## SIZE AND TECHNICAL DATA

ORVSA 160

ORVSA SERIES



PORTS DIMENSION	
V1,V2	1" BSPP
C1,C2	O-Ring 2-126
F	1/4" BSPP

TECHNICAL DATA	
Material	Anodized aluminium corrosion resistant
Peak pressure	350 bar
Maximum pressure	300 bar
Maximum flow rate	150 l/min
Pilot ratio	1 3:1
	2 4.25:1
	3 8:1
	4 10:1
OVC relief valve setting range	A 20-200 bar standard setting 100 bar
	B 50-350 bar standard setting 280 bar
VLP relief valve setting range	A 20-100 bar standard setting 80 bar
	B 40-250 bar standard setting 180 bar
	C 60-350 bar standard setting 250 bar

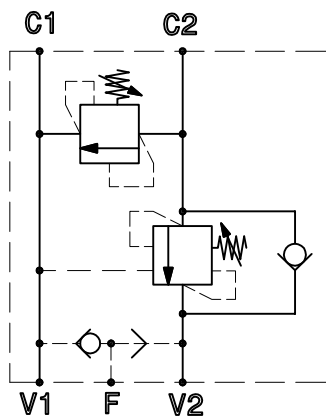
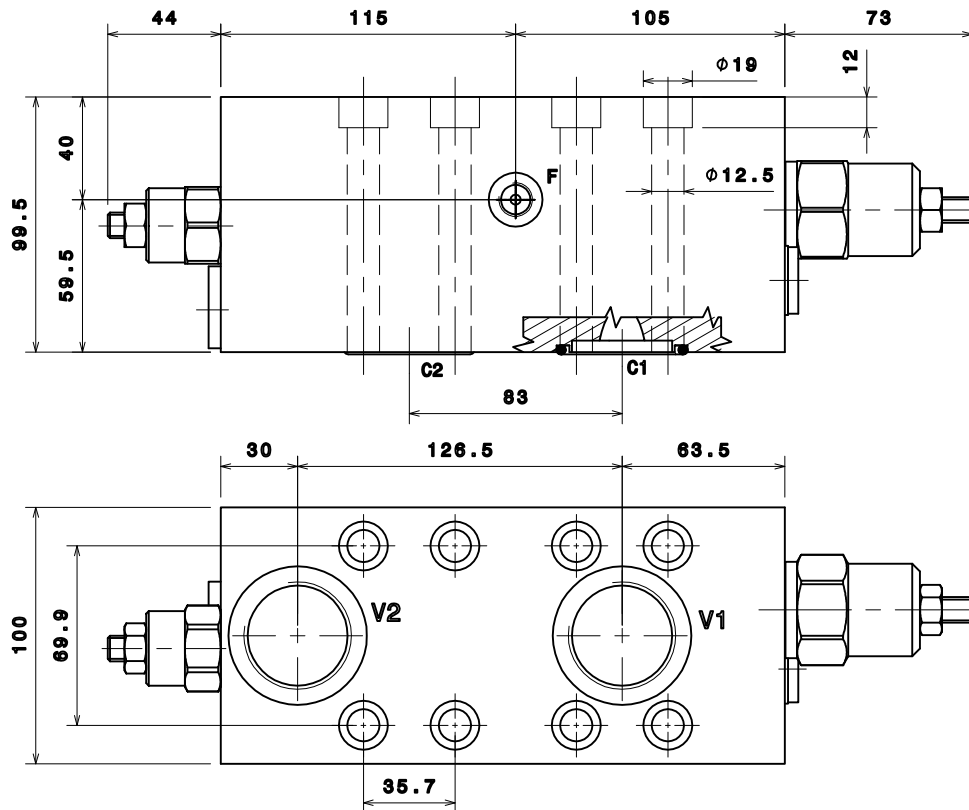
Intermot distributor fitting

D47

## SIZE AND TECHNICAL DATA

ORVSA 300

ORVSA SERIES



PORTS DIMENSION	
V1,V2	1"1/4 BSPP
C1,C2	O-Ring 2-224
F	1/4" BSPP

TECHNICAL DATA	
Material	Anodized aluminium corrosion resistant
Peak pressure	350 bar
Maximum pressure	300 bar
Maximum flow rate	300 l/min
Pilot ratio	1 3:1
	2 4.25:1
	3 8:1
	4 10:1
OVC relief valve setting range	A 20-200 bar standard setting 100 bar
	B 50-350 bar standard setting 280 bar
VLP relief valve setting range	A 20-100 bar standard setting 80 bar
	B 40-250 bar standard setting 180 bar
	C 60-350 bar standard setting 250 bar

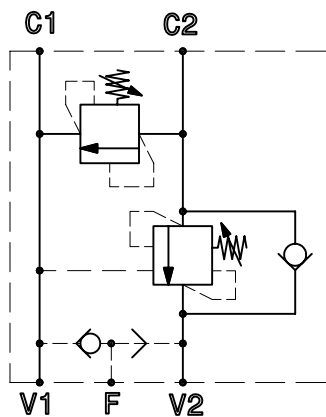
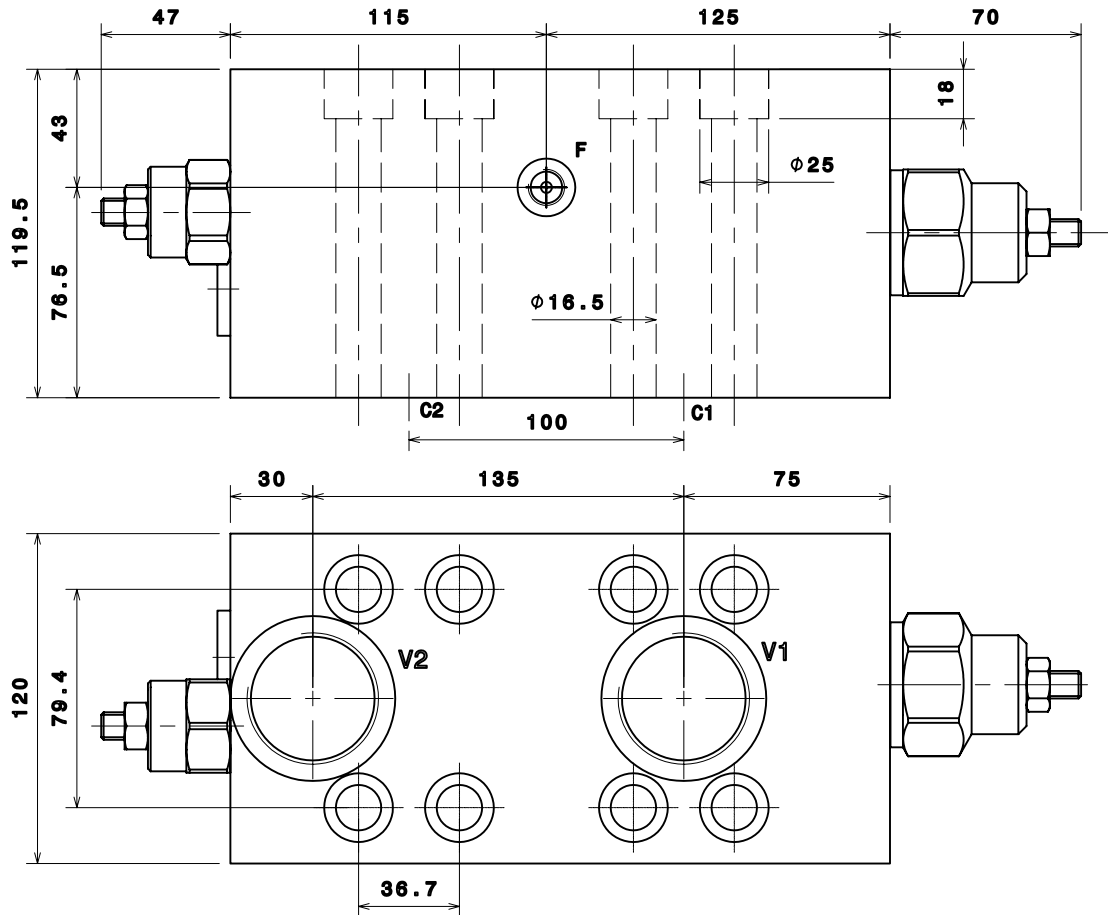
Intermot distributor fitting

**D75**

## SIZE AND TECHNICAL DATA

ORVSA 480

ORVSA SERIES



PORTS DIMENSION	
V1,V2	1"1/2 BSPP
C1,C2	O-Ring 2-225
F	1/4" BSPP

TECHNICAL DATA	
Material	Anodized aluminium corrosion resistant
Peak pressure	350 bar
Maximum pressure	300 bar
Maximum flow rate	480 l/min
Pilot ratio	1 3:1
	2 4.25:1
	3 8:1
OVC relief valve setting range	A 20-200 bar standard setting 100 bar
	B 50-350 bar standard setting 280 bar
VLP relief valve setting range	A 20-100 bar standard setting 80 bar
	B 40-250 bar standard setting 180 bar
	C 60-350 bar standard setting 250 bar

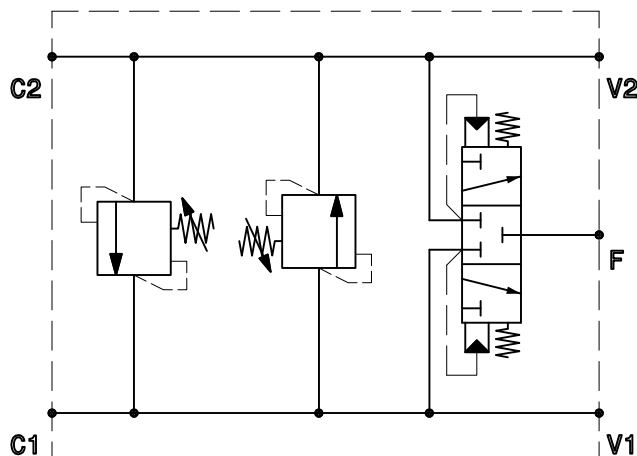
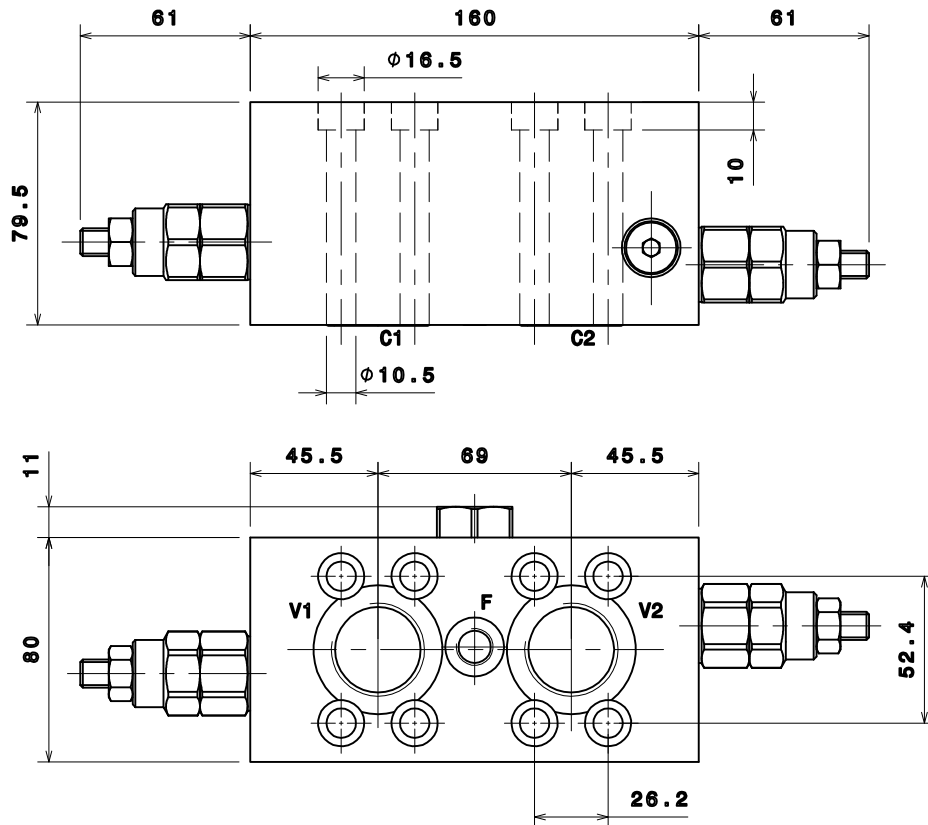
Intermot distributor fitting

D90

## SIZE AND TECHNICAL DATA

RVDAP 80

RVDAP SERIES



TECHNICAL DATA	
Material	Anodized aluminium corrosion resistant
Maximum pressure	300 bar
Maximum flow rate	80 l/min
Relief valve setting range	A 20-100 bar standard setting 80 bar
	B 40-250 bar standard setting 180 bar
	C 60-350 bar standard setting 250 bar

PORTS DIMENSION	
V1,V2	1" BSPP
C1,C2	O-Ring 2-125
F	1/4" BSPP

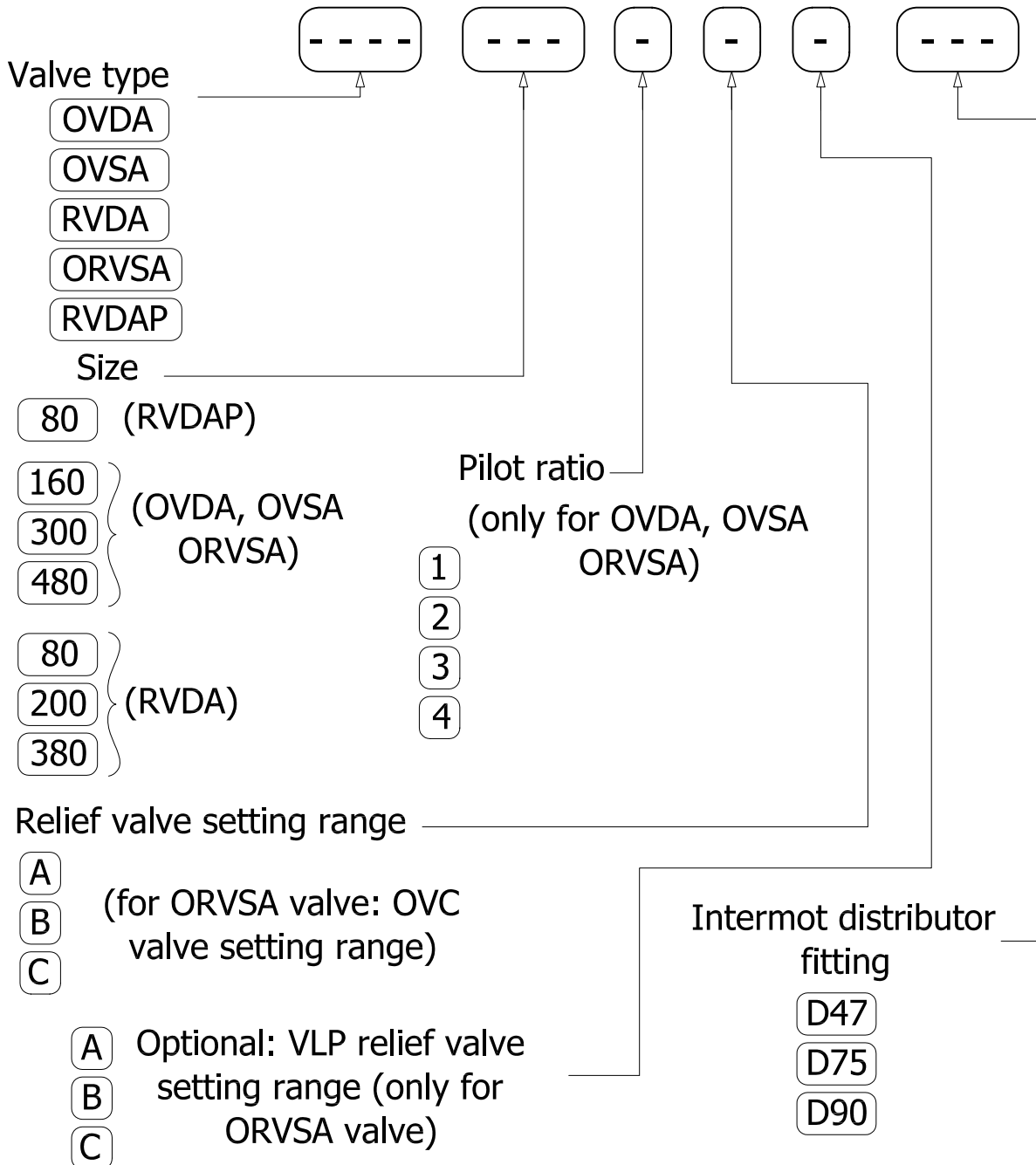
Intermot distributor fitting

**D47**



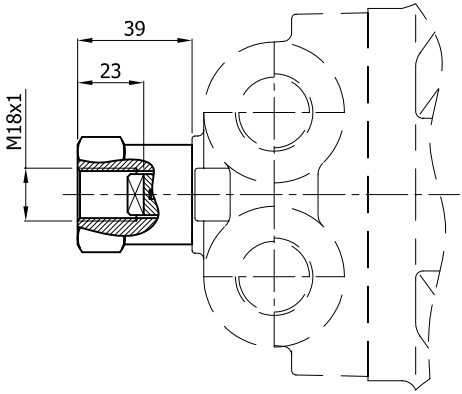
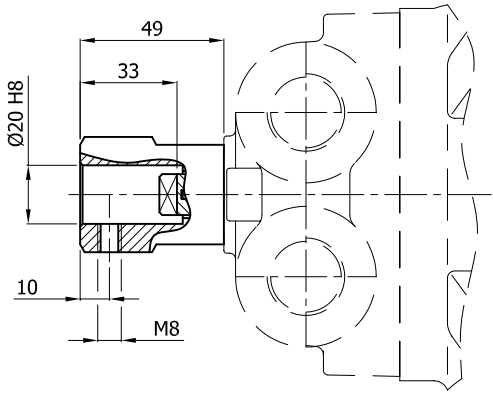
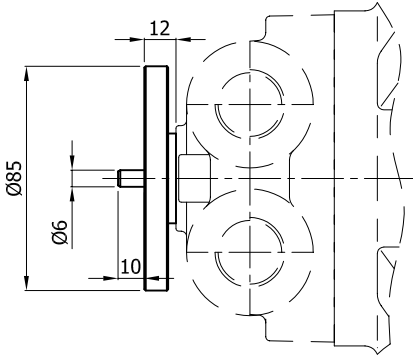
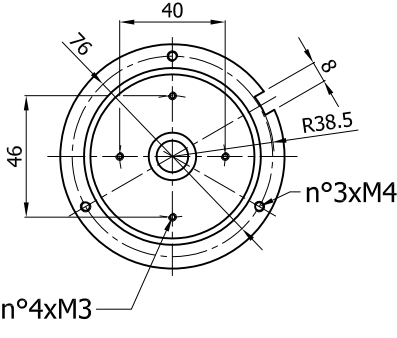
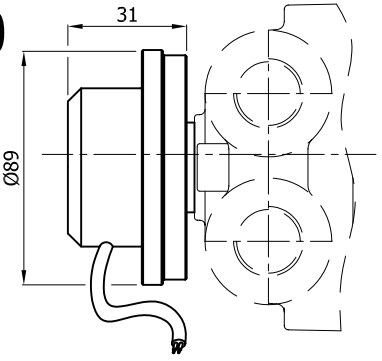
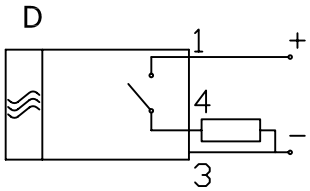
# ORDERING INSTRUCTIONS

# VALVES

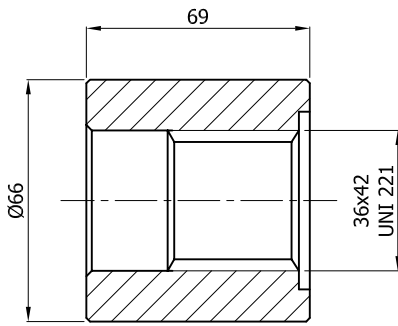
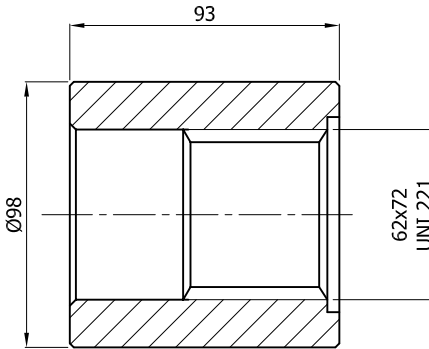
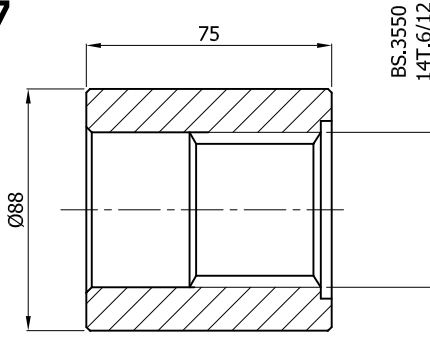
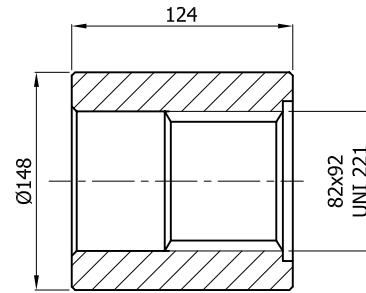
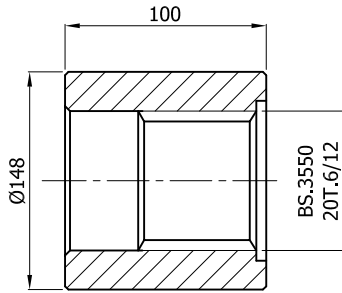
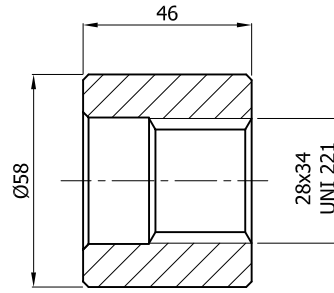
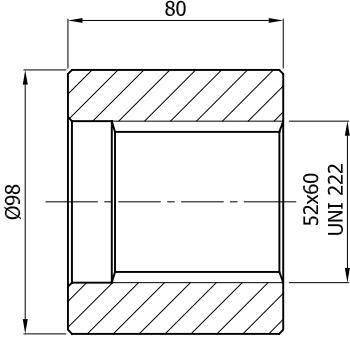


**EXAMPLE:** OVDA.300.1.A.D75  
 RVDA.200.C.D75  
 OVSA.160.2.B.D47  
 OVDA.480.1.A.D90  
 ORVSA.160.3.A.B.D47  
 RVDAP.80.B.D47

## TACHOMETER

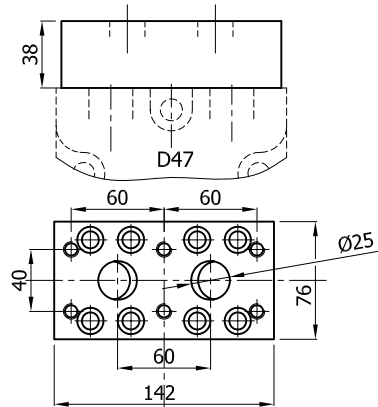
<p><b>TA</b></p> 	<p><b>TB</b></p> 																												
<p><b>EST</b></p> 																													
<p><b>EST.30</b></p> 	<table border="1" data-bbox="746 1176 1082 1518"> <tr> <td>Operating parameters</td> <td>E-...../3</td> </tr> <tr> <td>Power supply (VDC)</td> <td>10-30</td> </tr> <tr> <td>Switching current (mA)</td> <td>150</td> </tr> <tr> <td>Frequency (Hz) 100rpm</td> <td>50</td> </tr> <tr> <td>Impulse/rpm</td> <td>30</td> </tr> <tr> <td>Operating temp. (°C)</td> <td>-24/+70</td> </tr> <tr> <td>Protection degree</td> <td>IP67</td> </tr> <tr> <td>Output</td> <td>NPN</td> </tr> <tr> <td>Motor type</td> <td>All types</td> </tr> <tr> <td>MODEL</td> <td>Ø5</td> </tr> <tr> <td>Torque</td> <td>1 Nm</td> </tr> </table> <table border="1" data-bbox="1098 1176 1433 1243"> <tr> <td>Model</td> <td>Output</td> <td>Fig.</td> </tr> <tr> <td>E-..../.AP/....</td> <td>PNP</td> <td>D</td> </tr> </table> 	Operating parameters	E-...../3	Power supply (VDC)	10-30	Switching current (mA)	150	Frequency (Hz) 100rpm	50	Impulse/rpm	30	Operating temp. (°C)	-24/+70	Protection degree	IP67	Output	NPN	Motor type	All types	MODEL	Ø5	Torque	1 Nm	Model	Output	Fig.	E-..../.AP/....	PNP	D
Operating parameters	E-...../3																												
Power supply (VDC)	10-30																												
Switching current (mA)	150																												
Frequency (Hz) 100rpm	50																												
Impulse/rpm	30																												
Operating temp. (°C)	-24/+70																												
Protection degree	IP67																												
Output	NPN																												
Motor type	All types																												
MODEL	Ø5																												
Torque	1 Nm																												
Model	Output	Fig.																											
E-..../.AP/....	PNP	D																											

## SPLINE BILLET

<p><b>SB3</b></p>  <p>only for: IAC 500 H3 A0</p>	<p><b>SB6</b></p>  <p>only for: IAC 1400/C H5 A0</p>
<p><b>SB7</b></p>  <p>only for: IAC 1400 H6 A1</p>	<p><b>SB9</b></p>  <p>only for: IAC 3000/C H6 A0</p>
<p><b>SB10</b></p>  <p>only for: IAC 3000 H6 A1</p>	<p><b>SB14</b></p>  <p>only for: IAC 195-250/S IAC 195-250/BH</p>
<p><b>SB16</b></p>  <p>only for: IAC 800/C H4 A0</p>	

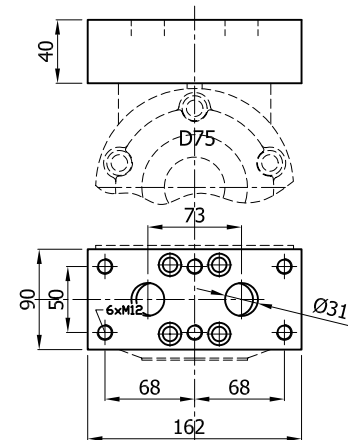
## CONVERSION FLANGES

**FL2**



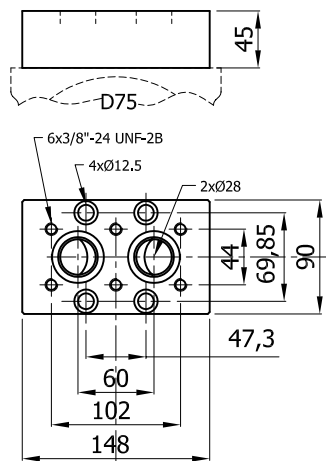
Connection block, fitting D47 distributor, for motor MR 350/450/500/600/700/800

**FL4**



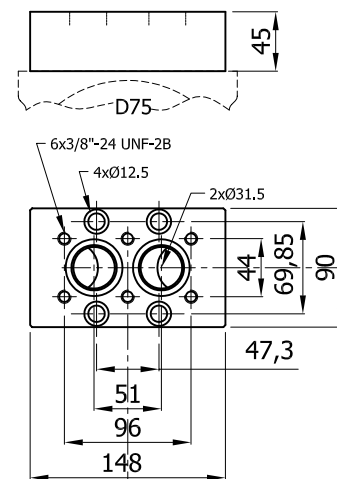
Connection block, fitting D75 distributor, for motor MR 1100/1400/1600/1800/2100

**FL5**



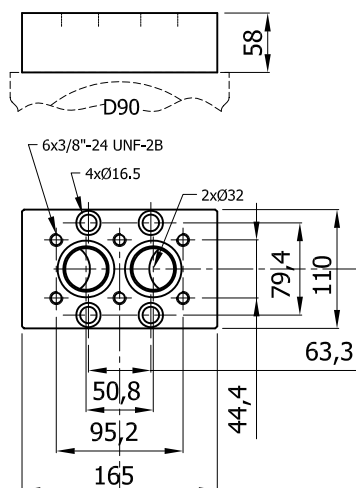
S03 plate for D75

**FL6**



S04 plate for D75

**FL7**



S04 plate for D90



Factory 19 / 5 Lyn Parade PRESTONS NSW 2170  
Ph: (02) 9607 4100 Fax: (02) 9607 4200