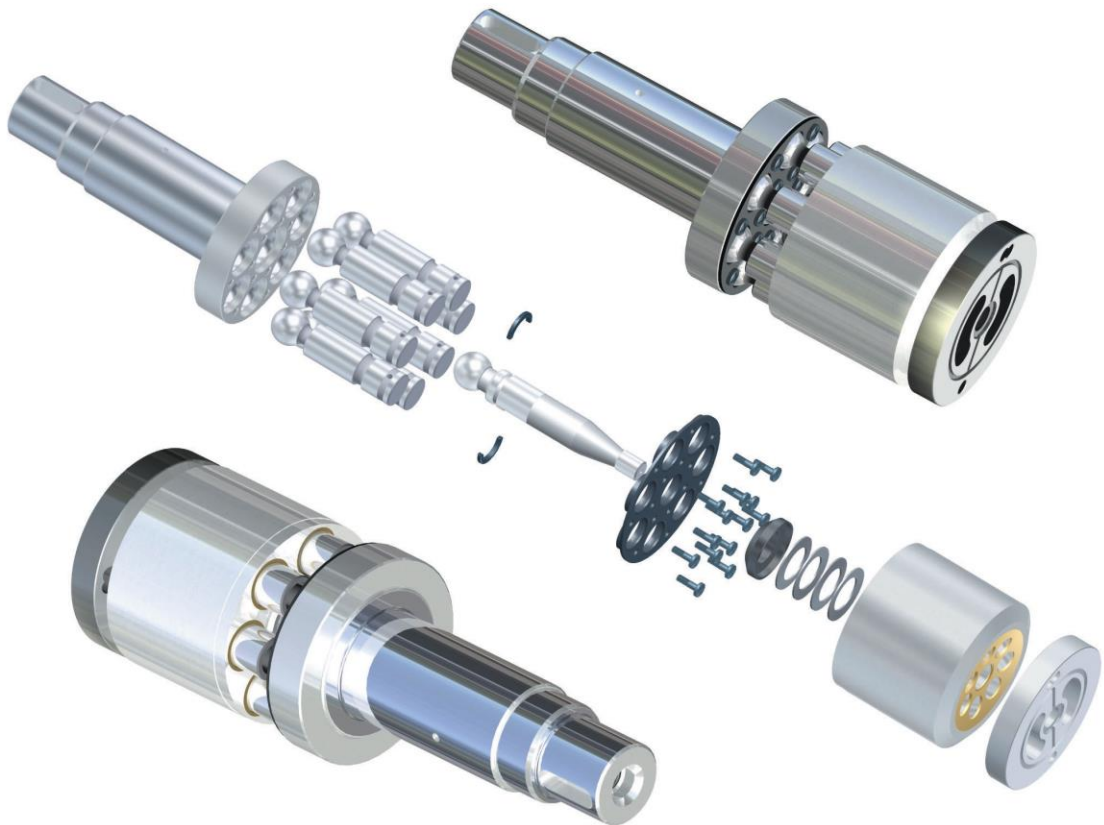
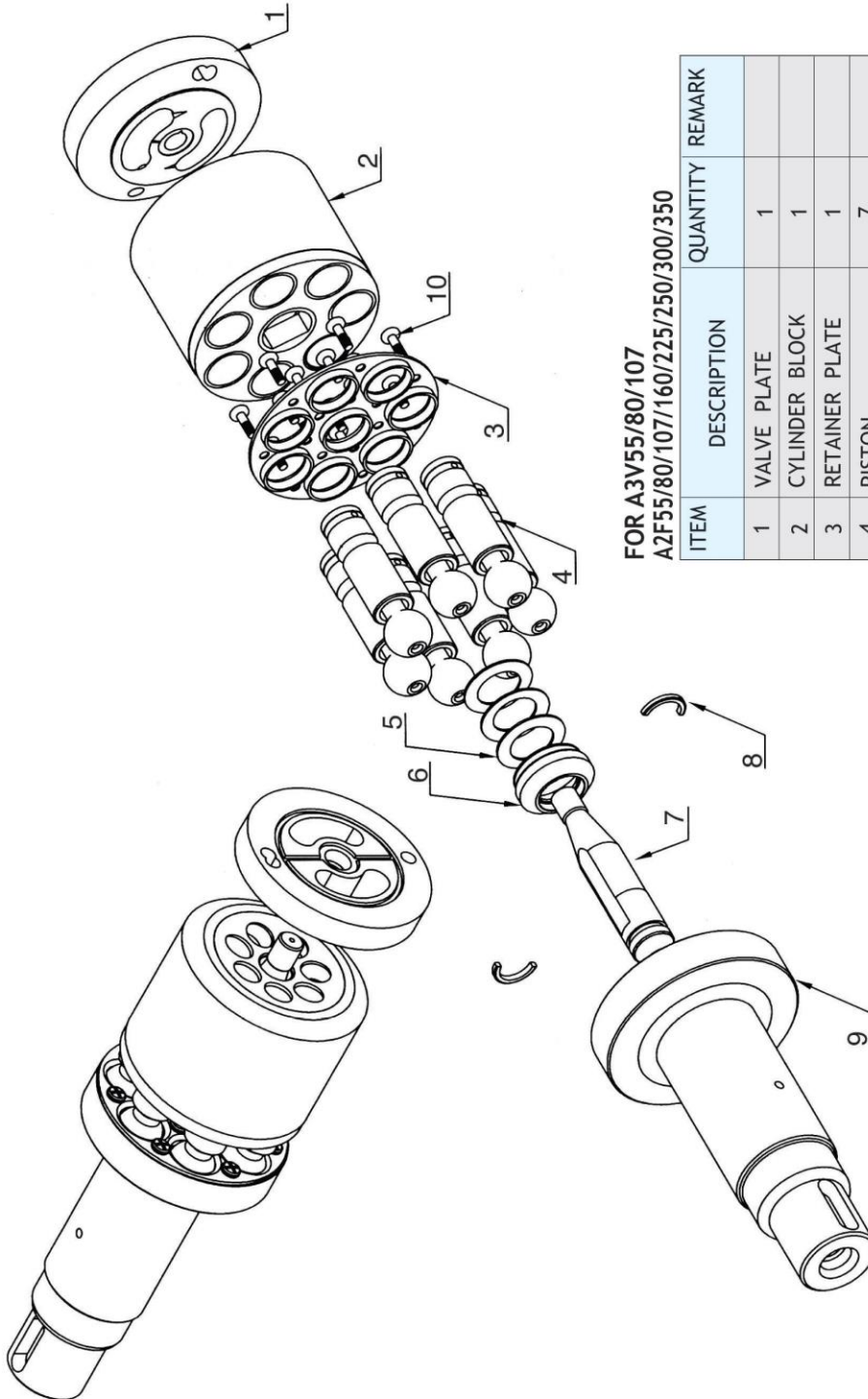


A2F, A3V SERIES



A2F, A3V

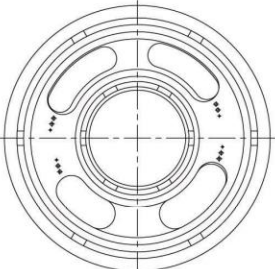
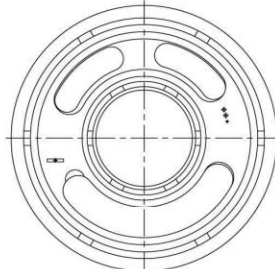
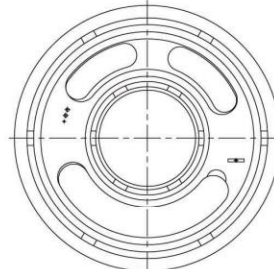


FOR A3V55/80/107
 A2F55/80/107/160/225/250/300/350

ITEM	DESCRIPTION	QUANTITY	REMARK
1	VALVE PLATE	1	
2	CYLINDER BLOCK	1	
3	RETAINER PLATE	1	
4	PISTON	7	
5	DISK SPRING	4	
6	DISK SPRING HOLDER	1	
7	CENTER PIN	1	
8	SPACER	2	
9	DRIVE SHAFT	1	
10	SOCKET BOLT	14	

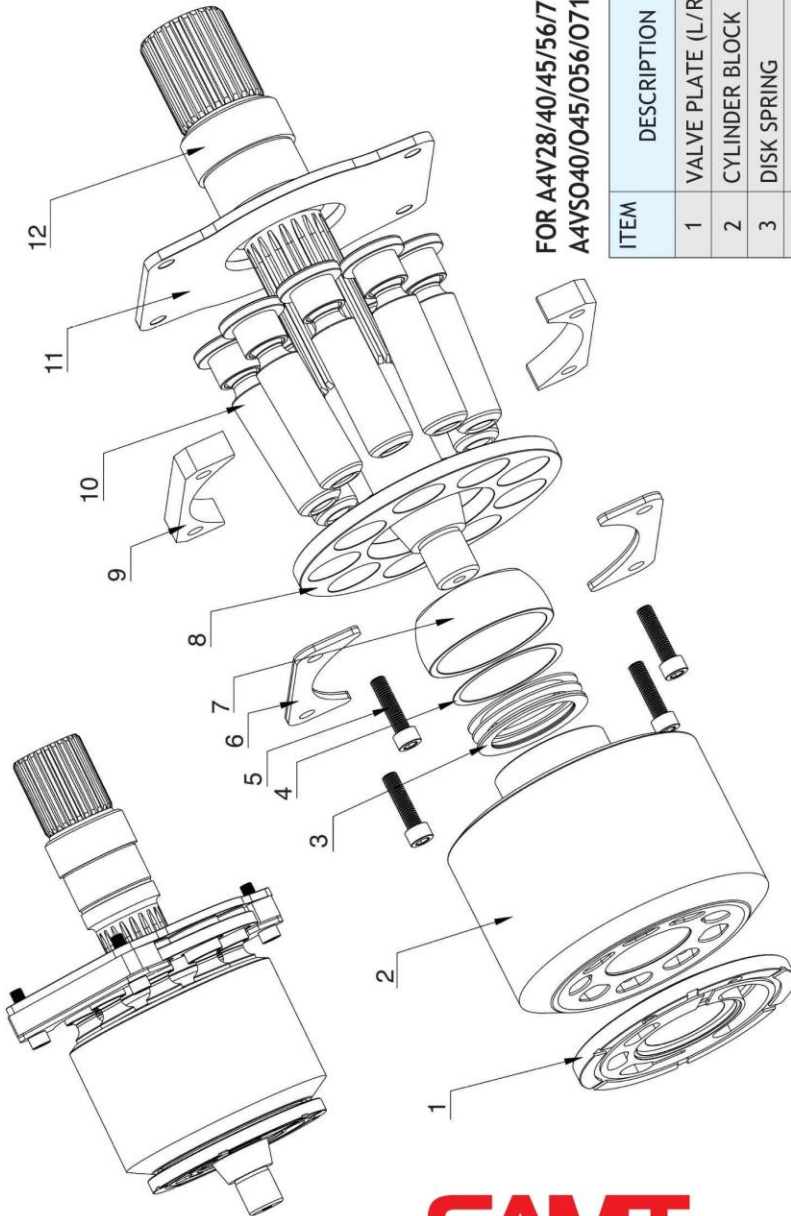
A4VG / A4VSO SERIES



A4VG - TYPE (CLOSED CIRCUIT)	A4VSO - TYPE (OPEN CIRCUIT)	
	(L) 	(R) 

IT IS DIFFERENT ON THE SHAPE BETWEEN THE A4VG TYPE AND A4VSO TYPE OF VALVE PLATE

A4VG/A4VSO



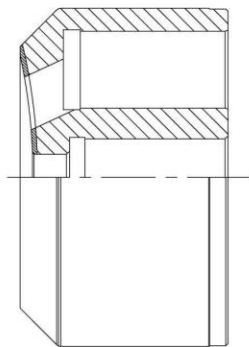
FOR A4V28/40/45/56/71/90/125/180/250
 A4V5040/045/056/071/0125/0180/0250/0355/0500

ITEM	DESCRIPTION	QUANTITY	REMARK
1	VALVE PLATE (L/R)	1	
2	CYLINDER BLOCK	1	
3	DISK SPRING	4	
4	SHIM	1	
5	BOLT	4	
6	FIX PLATE	2	
7	BALL GUIDE	1	
8	SET PLATE	1	
9	SPACER	2	
10	PISTON SHOE	9	
11	SHOE PLATE	1	
12	DRIVE SHAFT	1	

A6VM SERIES

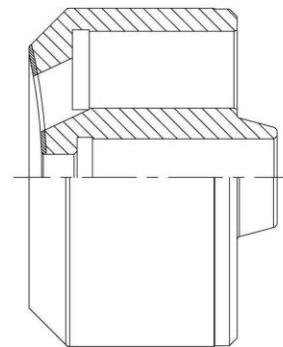


IT IS DIFFERENT ON THE SHAPE BETWEEN THE REXROTH TYPE & UCHIDA TYPE

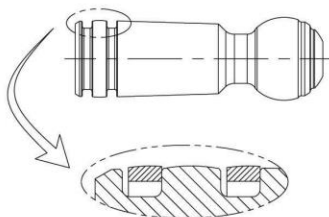


REXROTH-TYPE

CYLINDER BLOCK

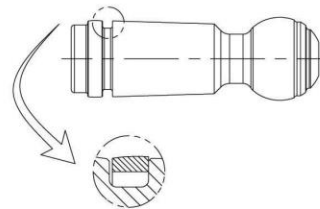


UCHIDA-TYPE

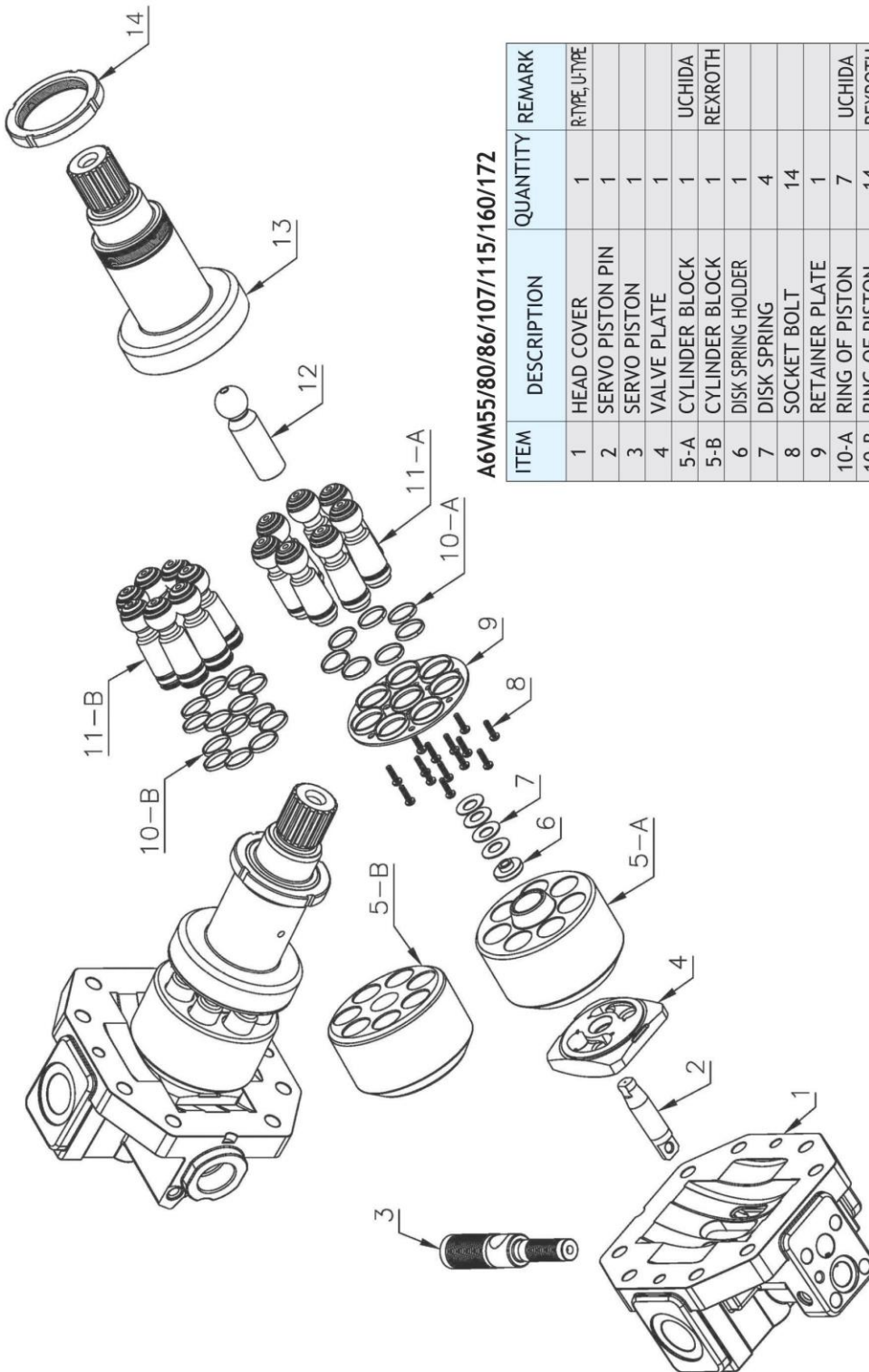


(TWO RING)

PISTON



(ONE RING)

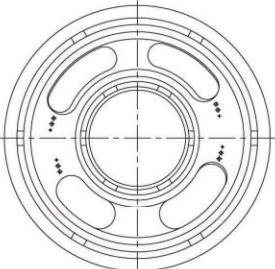
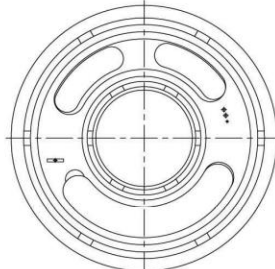
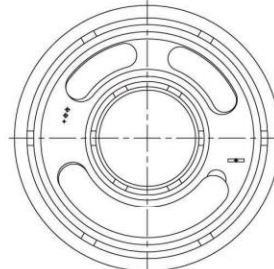


A6VM55/80/86/107/115/160/172

ITEM	DESCRIPTION	QUANTITY	REMARK
1	HEAD COVER	1	R-TYPE, U-TYPE
2	SERVO PISTON PIN	1	
3	SERVO PISTON	1	
4	VALVE PLATE	1	
5-A	CYLINDER BLOCK	1	UCHIDA
5-B	CYLINDER BLOCK	1	REXROTH
6	DISK SPRING HOLDER	1	
7	DISK SPRING	4	
8	SOCKET BOLT	14	
9	RETAINER PLATE	1	
10-A	RING OF PISTON	7	UCHIDA
10-B	RING OF PISTON	14	REXROTH
11-A	PISTON (ONE RING)	7	UCHIDA
11-B	PISTON (TWO RING)	7	REXROTH
12	CENTER PIN	1	
13	DRIVE SHAFT	1	
14	LOCK NUT	1	

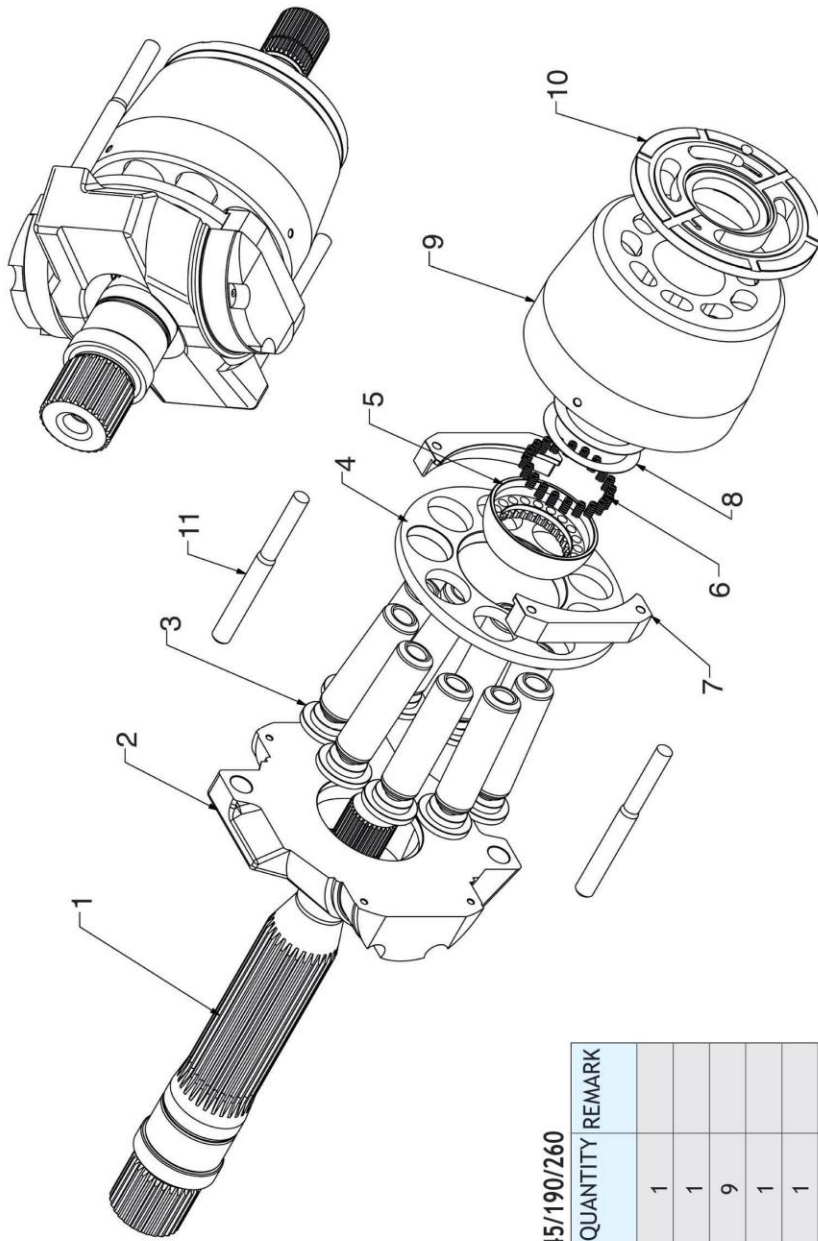
A11VSO SERIES



A11VG-TYPE (CLOSED CIRCUIT)	A11VSO-TYPE (OPEN CIRCUIT)	
	(L) 	(R) 

IT IS DIFFERENT ON THE SHAPE BETWEEN THE A11VG TYPE AND A11VSO TYPE OF VALVE PLATE

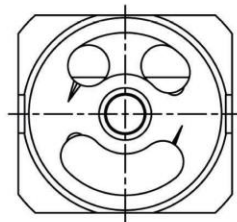
A11VSO



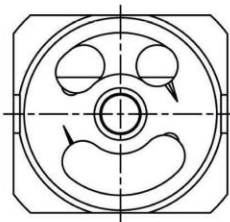
A11VSO40/60/75/95/130/145/190/260

ITEM	DESCRIPTION	QUANTITY	REMARK
1	DRIVE SHAFT	1	
2	SWASH PLATE	1	
3	PISTON SHOE	9	
4	SET PLATE	1	
5	BALL GUIDE	1	
6	COIL SPRING	20	
7	FIX PLATE	2	
8	SHIM	2	
9	CYLINDER BLOCK	1	
10	VALVE PLATE(L/R)	1	
11	PUSH ROD	2	

A7V SERIES

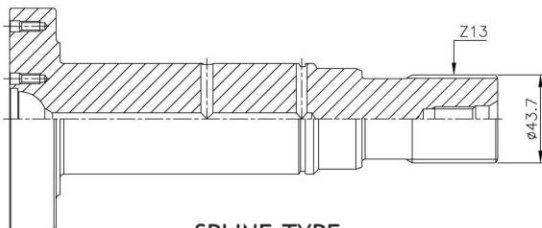


CW (R)

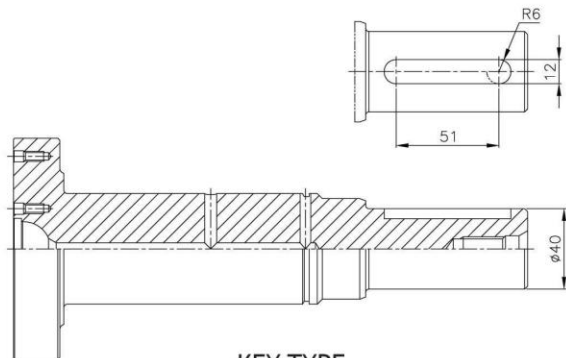


CCW (L)

IT IS DIFFERENT ON VALVE PLATE

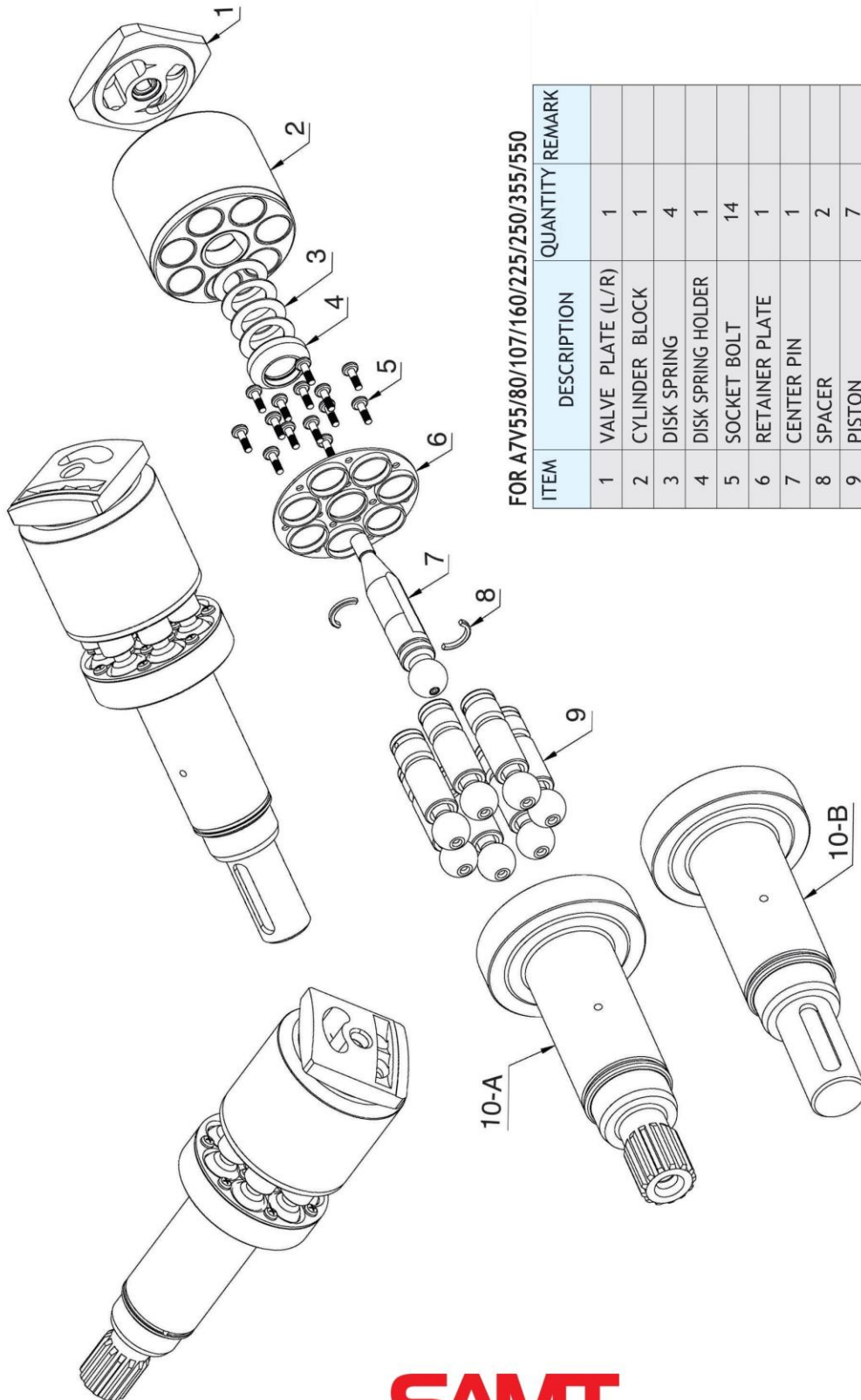


SPLINE-TYPE



KEY-TYPE

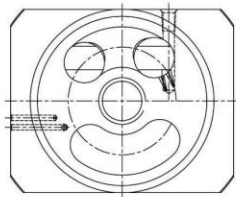
IT IS DIFFERENT ON THE SHAPE BETWEEN THE KEY TYPE AND SPLINE PLATE



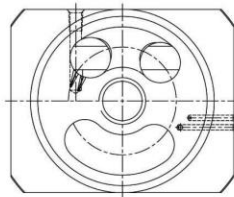
FOR A7V55/80/107/160/225/250/355/550

ITEM	DESCRIPTION	QUANTITY	REMARK
1	VALVE PLATE (L/R)	1	
2	CYLINDER BLOCK	1	
3	DISK SPRING	4	
4	DISK SPRING HOLDER	1	
5	SOCKET BOLT	14	
6	RETAINER PLATE	1	
7	CENTER PIN	1	
8	SPACER	2	
9	PISTON	7	
10-A	DRIVE SHAFT(SPLINE)	1	
10-B	DRIVE SHAFT(KEY)	1	

A7VO SERIES

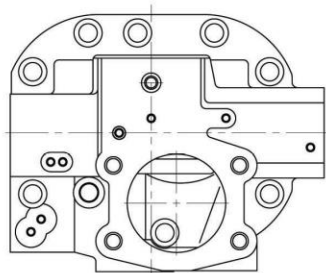


CCW (L)

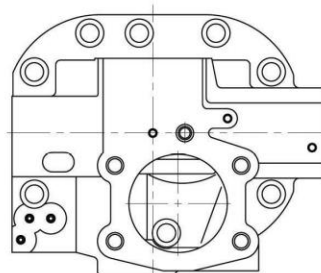


CW (R)

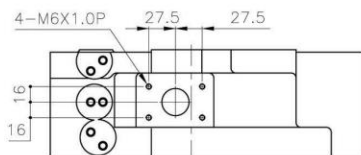
IT IS DIFFERENT ON VALVE PLATE



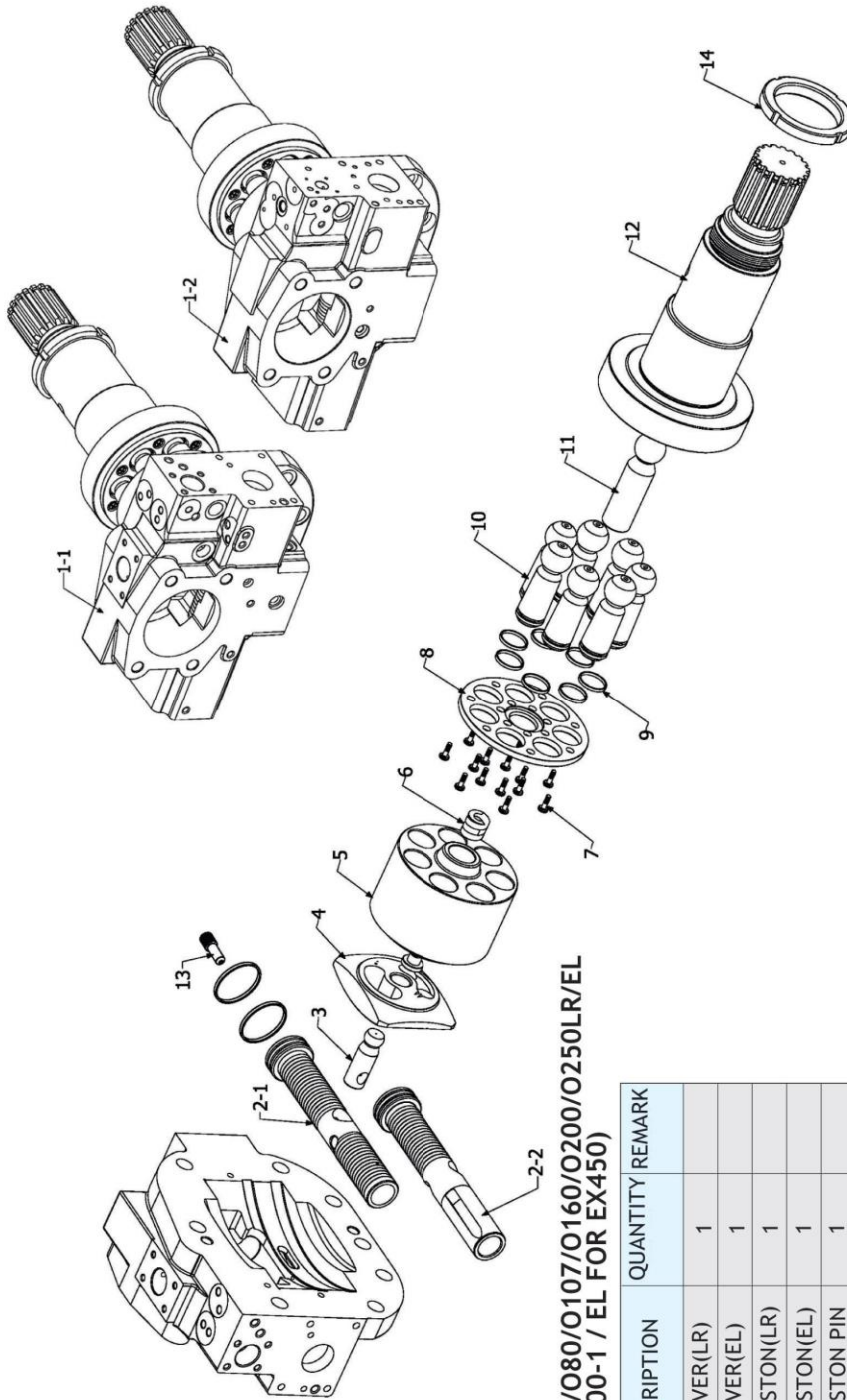
HEAD COVER(LR)



HEAD COVER(EL)



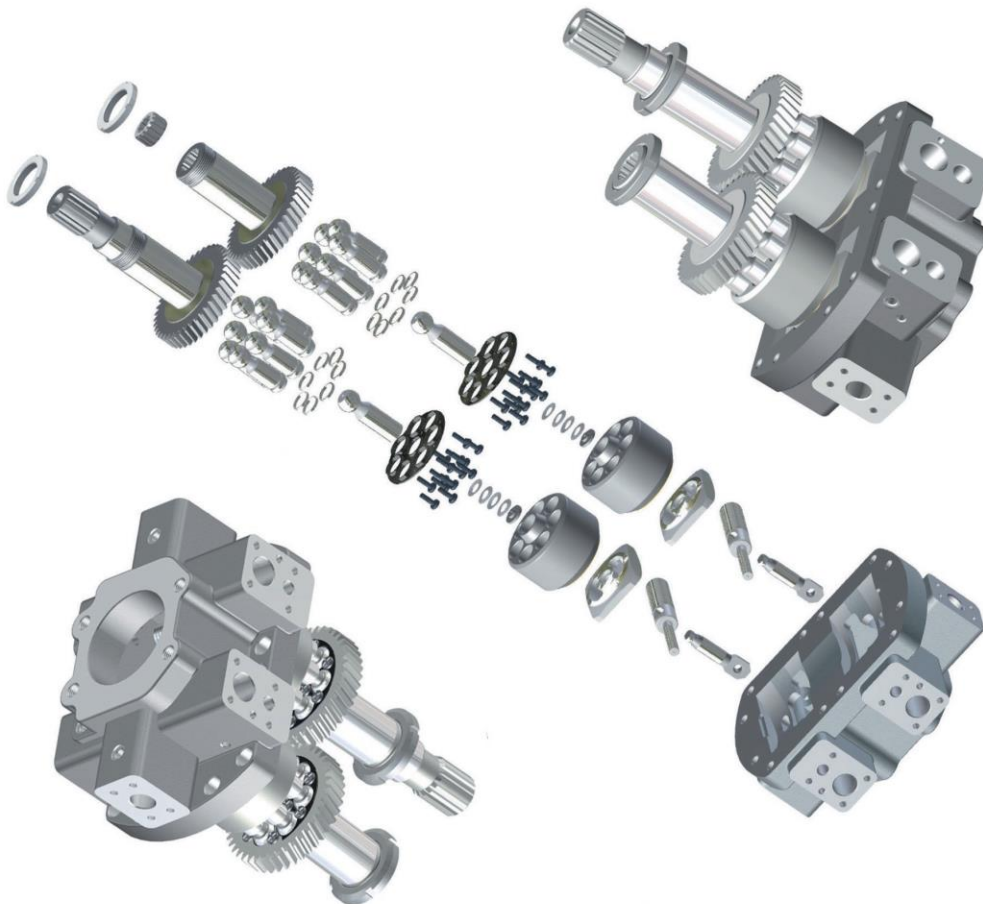
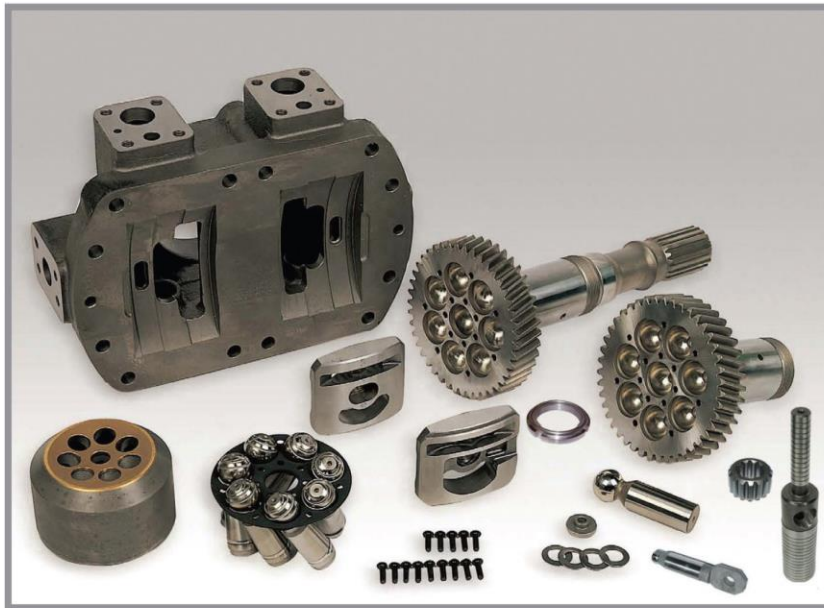
IT IS DIFFERENT ON THE SHAPE HEAD COVER LR TYPE AND EL TYPE

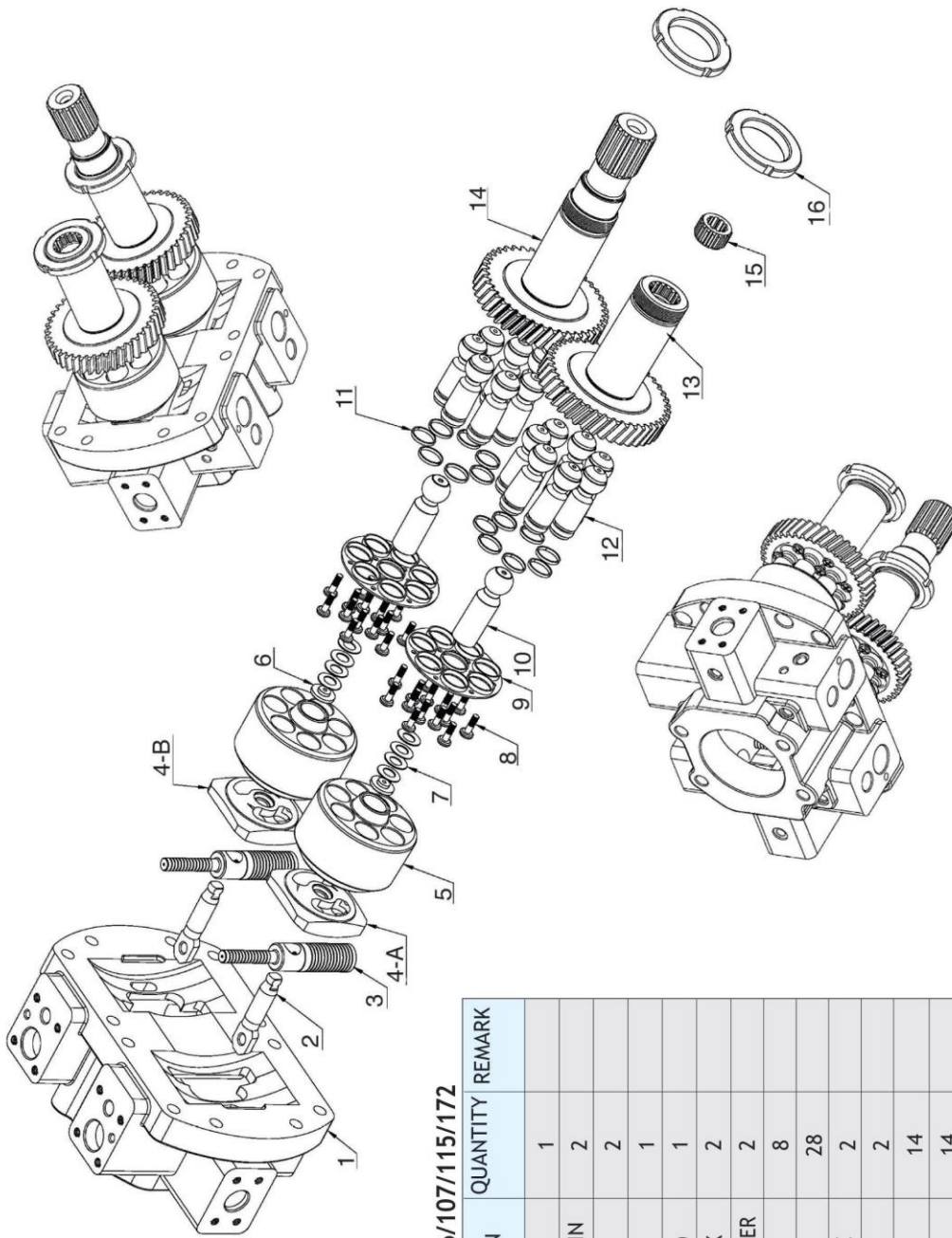


FOR A7VO55/O80/O107/O160/O200/O250LR/EL
(LR FOR EX400-1 / EL FOR EX450)

ITEM	DESCRIPTION	QUANTITY	REMARK
1-1	HEAD COVER(LR)	1	
1-2	HEAD COVER(EL)	1	
2-1	SERVO PISTON(LR)	1	
2-2	SERVO PISTON(EL)	1	
3	SERVO PISTON PIN	1	
4	VALVE PLATE (L/R)	1	
5	CYLINDER BLOCK	1	
6	COIL SPRING	1	
7	SOCKET BOLT	14	
8	RETAINER PLATE	1	
9	RING OF PISTON	7	
10	PISTON	7	
11	CENTER PIN	1	
12	DRIVE SHAFT	1	
13	SERVO PISTON GUIDE PIN	1	
14	LOCK NUT	2	

A8V SERIES

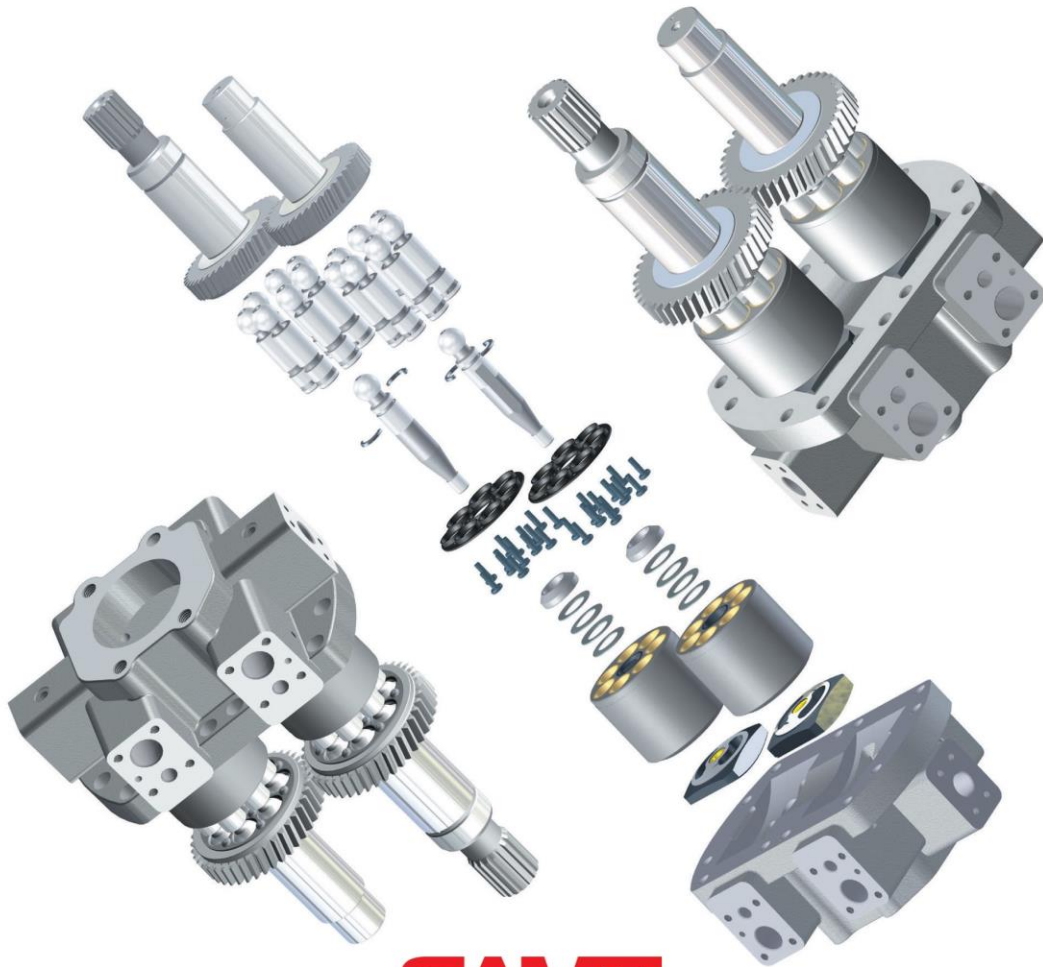
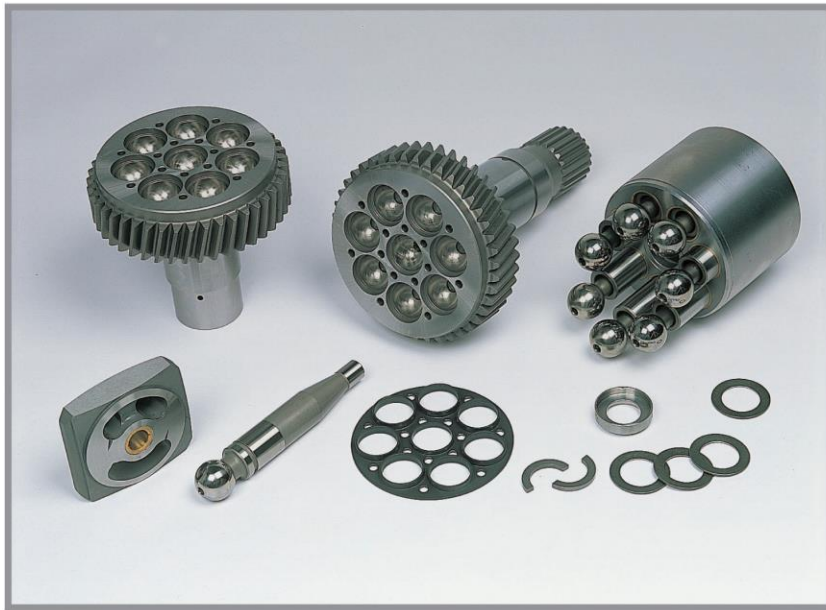




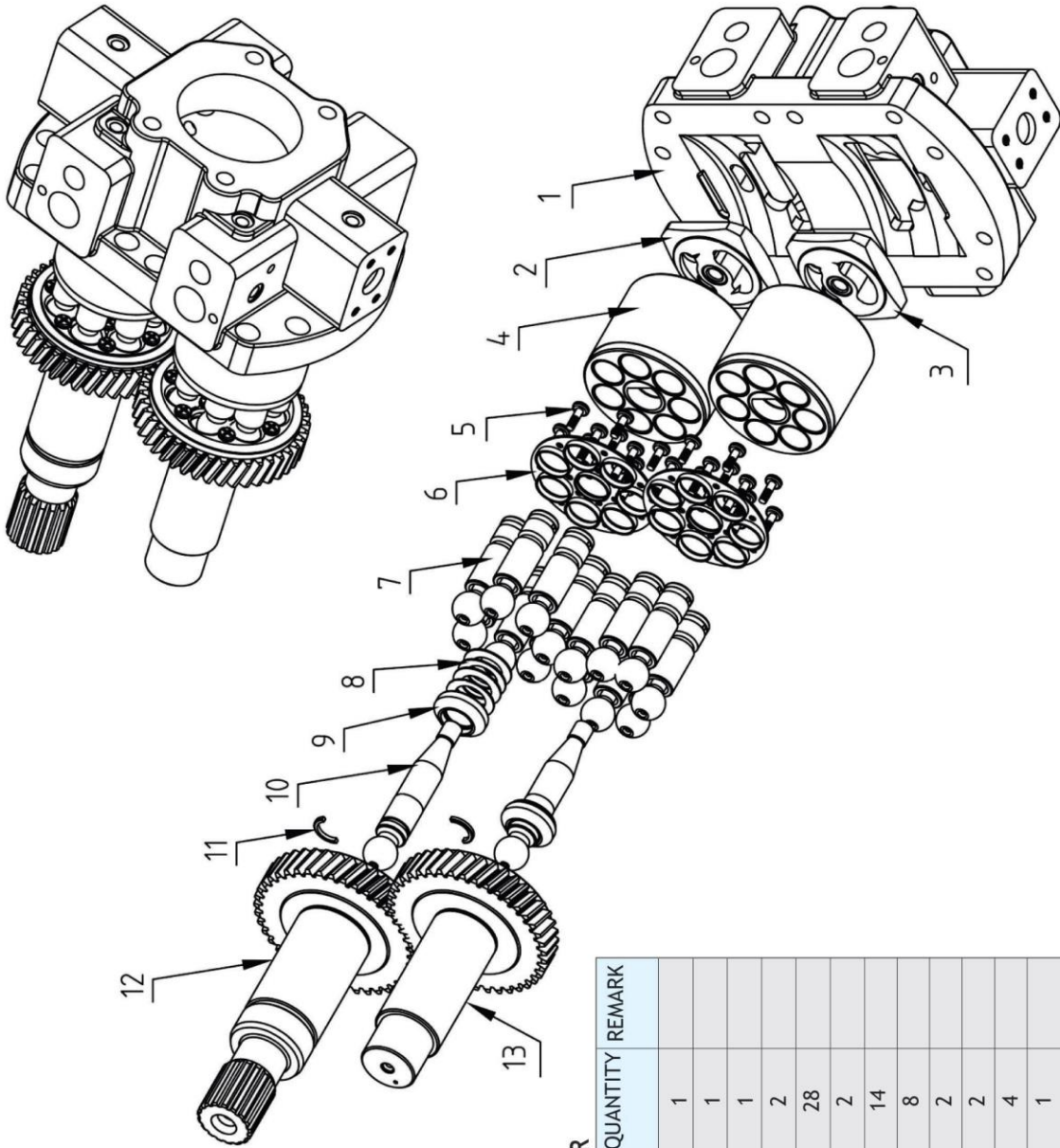
FOR A8V55/59/80/86/107/115/172

ITEM	DESCRIPTION	QUANTITY	REMARK
1	HEAD COVER	1	
2	SERVO PISTON PIN	2	
3	SERVO PISTON	2	
4-A	VALVE PLATE (L)	1	
4-B	VALVE PLATE (R)	1	
5	CYLINDER BLOCK	2	
6	DISK SPRING HOLDER	2	
7	DISK SPRING	8	
8	SOCKET BOLT	28	
9	RETAINER PLATE	2	
10	CENTER PIN	2	
11	RING OF PISTON	14	
12	PISTON	14	
13	DRIVE SHAFT(L)	1	
14	DRIVE SHAFT(R)	1	
15	COUPLING	1	
16	LOCK NUT	2	

A8V (SR1R) SERIES



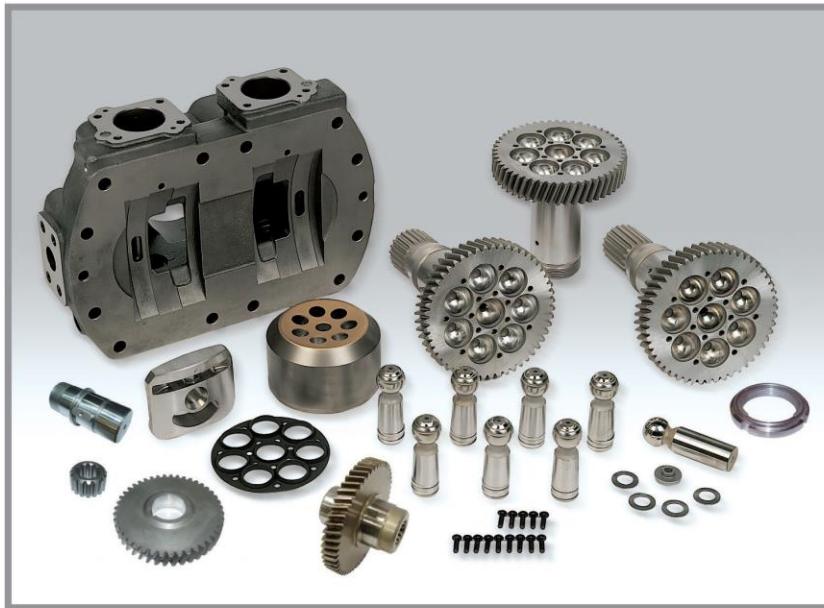
A8V (SR1R)



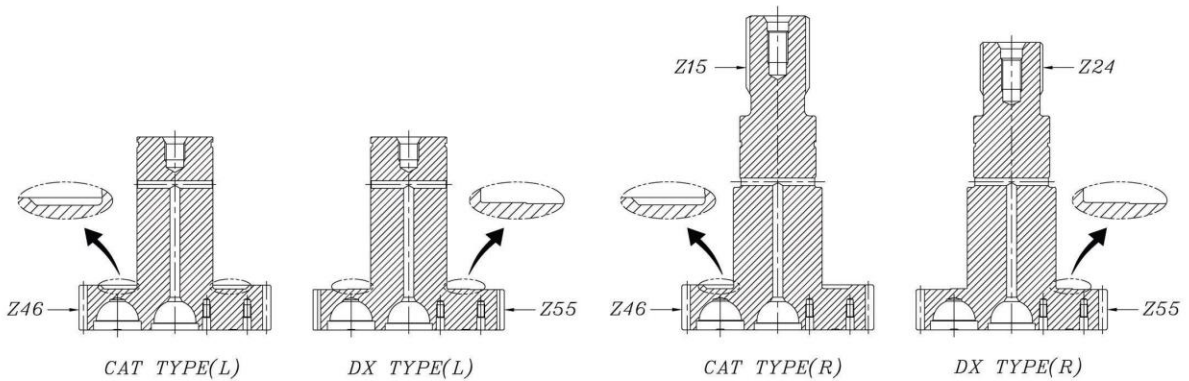
FOR A8V55/80/107/160SR1R

ITEM	DESCRIPTION	QUANTITY	REMARK
1	HEAD COVER	1	
2	VALVE PLATE (R)	1	
3	VALVE PLATE (L)	1	
4	CYLINDER BLOCK	2	
5	SOCKET BOLT	28	
6	RETAINER PLATE	2	
7	PISTON	14	
8	DISK SPRING	8	
9	DISK SPRING HOLDER	2	
10	CENTER PIN	2	
11	SPACER	4	
12	DRIVE SHAFT (R)	1	
13	DRIVE SHAFT (L)	1	

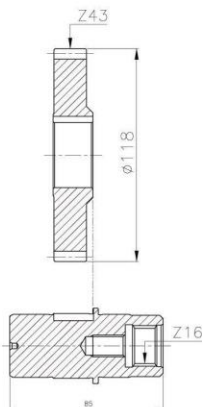
A8VO SERIES



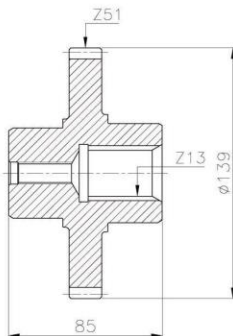
IT IS DIFFERENT ON THE SHAPE BETWEEN THE A8VO200(CAT TYPE) AND A8VO200(DX TYPE)



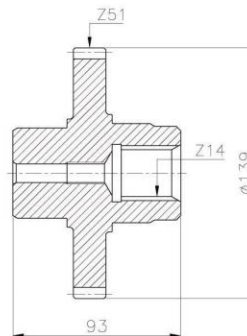
CAT TYPE-16T



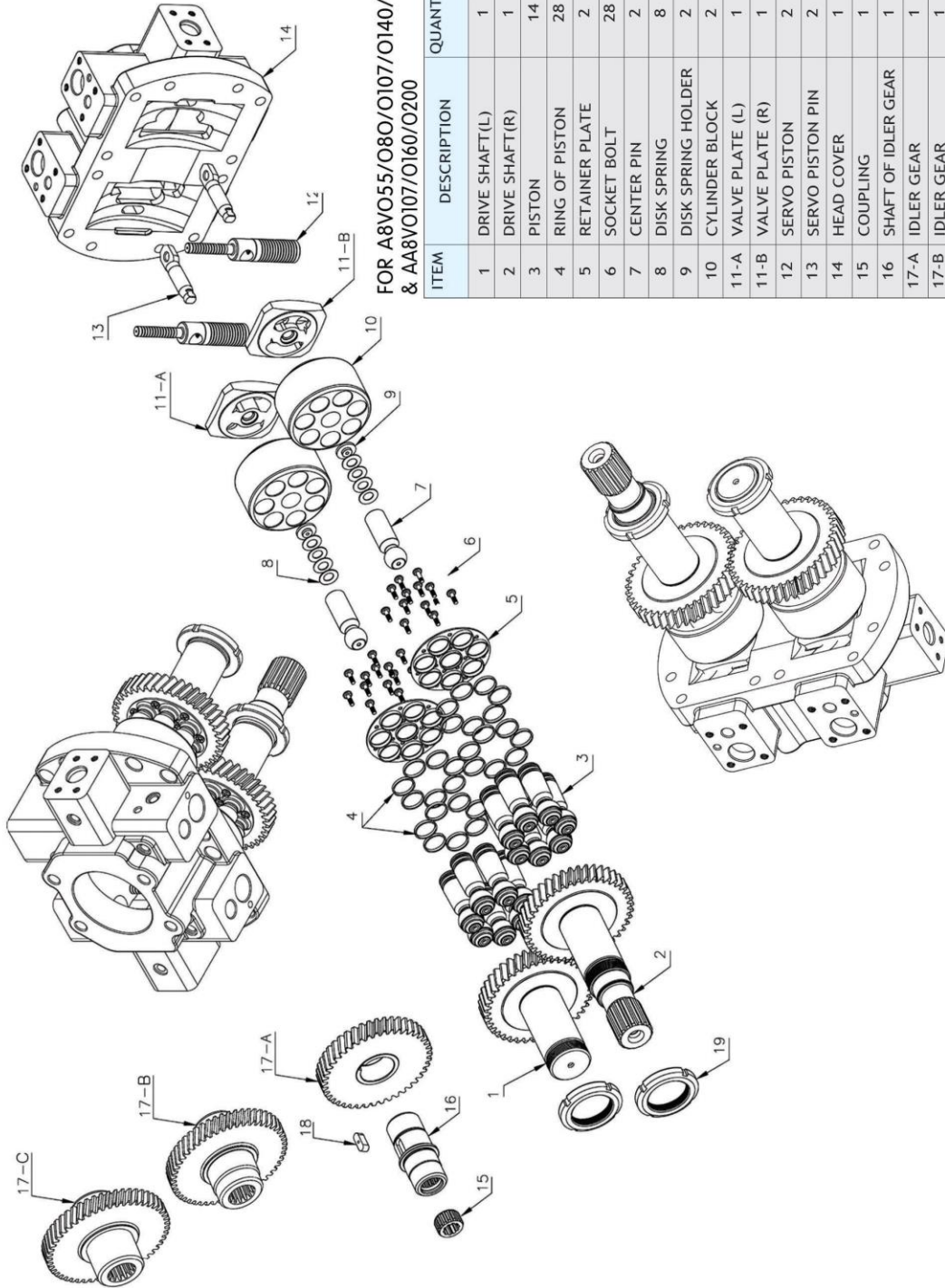
FIAT TYPE-13T



FIAT TYPE-14T



IT IS DIFFERENT ON IDLER GEAR



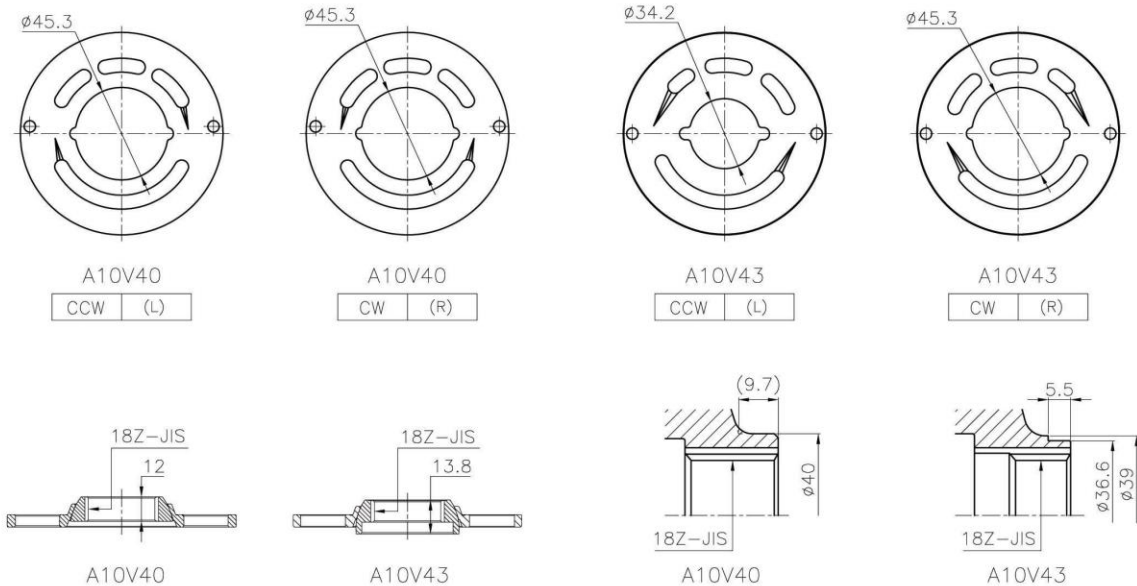
FOR A8VO55/O80/O107/O140/O160/O200
& AA8VO107/O160/O200

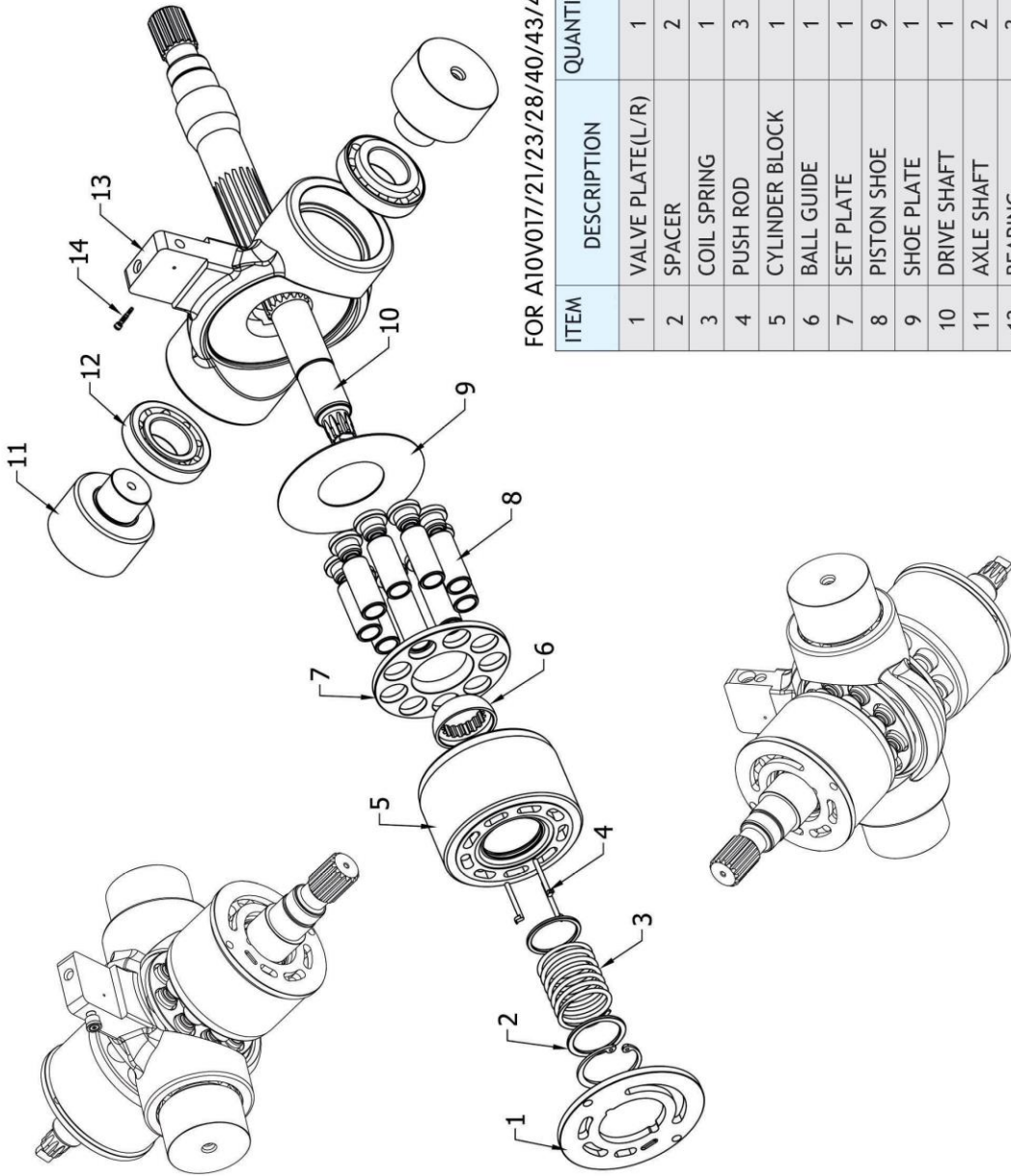
ITEM	DESCRIPTION	QUANTITY	REMARK
1	DRIVE SHAFT(L)	1	
2	DRIVE SHAFT(R)	1	
3	PISTON	14	
4	RING OF PISTON	28	
5	RETAINER PLATE	2	
6	SOCKET BOLT	28	
7	CENTER PIN	2	
8	DISK SPRING	8	
9	DISK SPRING HOLDER	2	
10	CYLINDER BLOCK	2	
11-A	VALVE PLATE (L)	1	
11-B	VALVE PLATE (R)	1	
12	SERVO PISTON	2	
13	SERVO PISTON PIN	2	
14	HEAD COVER	1	
15	COUPLING	1	
16	SHAFT OF IDLER GEAR	1	
17-A	IDLER GEAR	1	CAT TYPE
17-B	IDLER GEAR	1	FIAT TYPE-14T
17-C	IDLER GEAR	1	FIAT TYPE-13T
18	KEY	1	
19	LOCK NUT	2	

A10V SERIES



IT IS DIFFERENT ON THE SHAPE BETWEEN THE A10V40 PARTS AND A10V43 PARTS

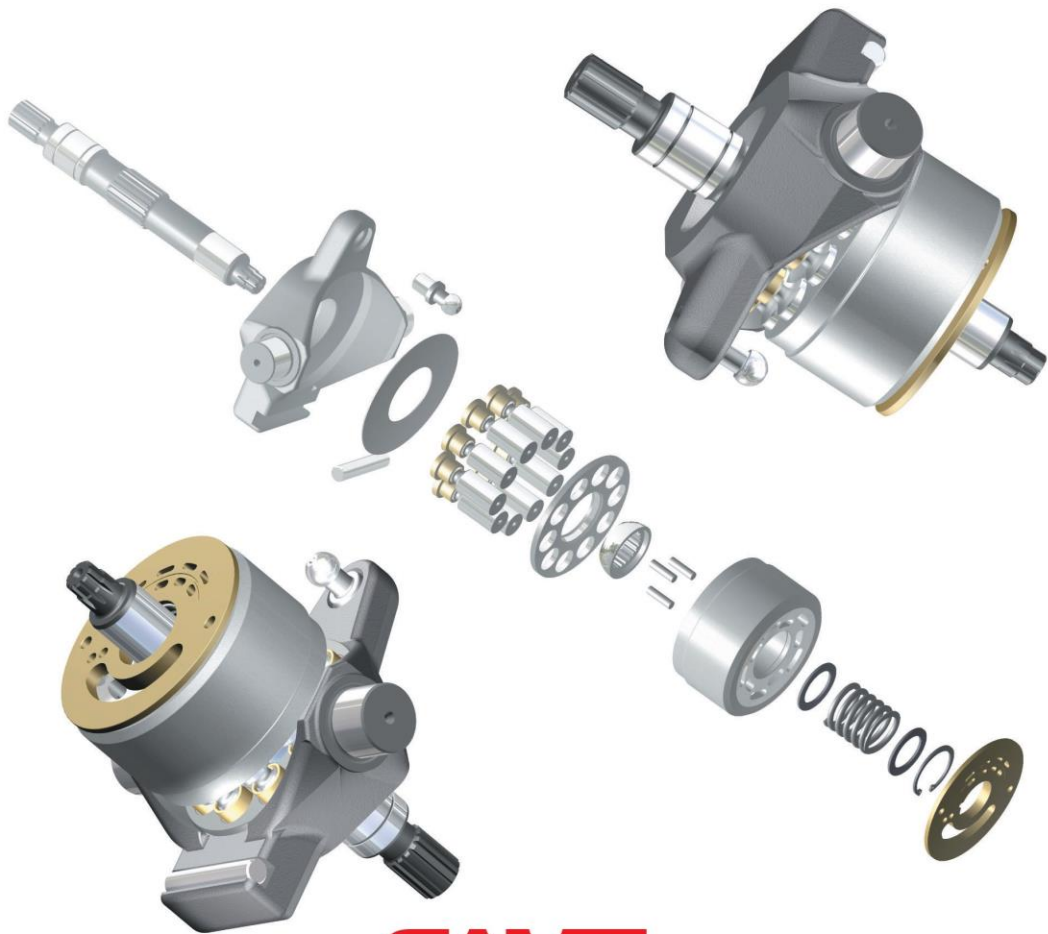


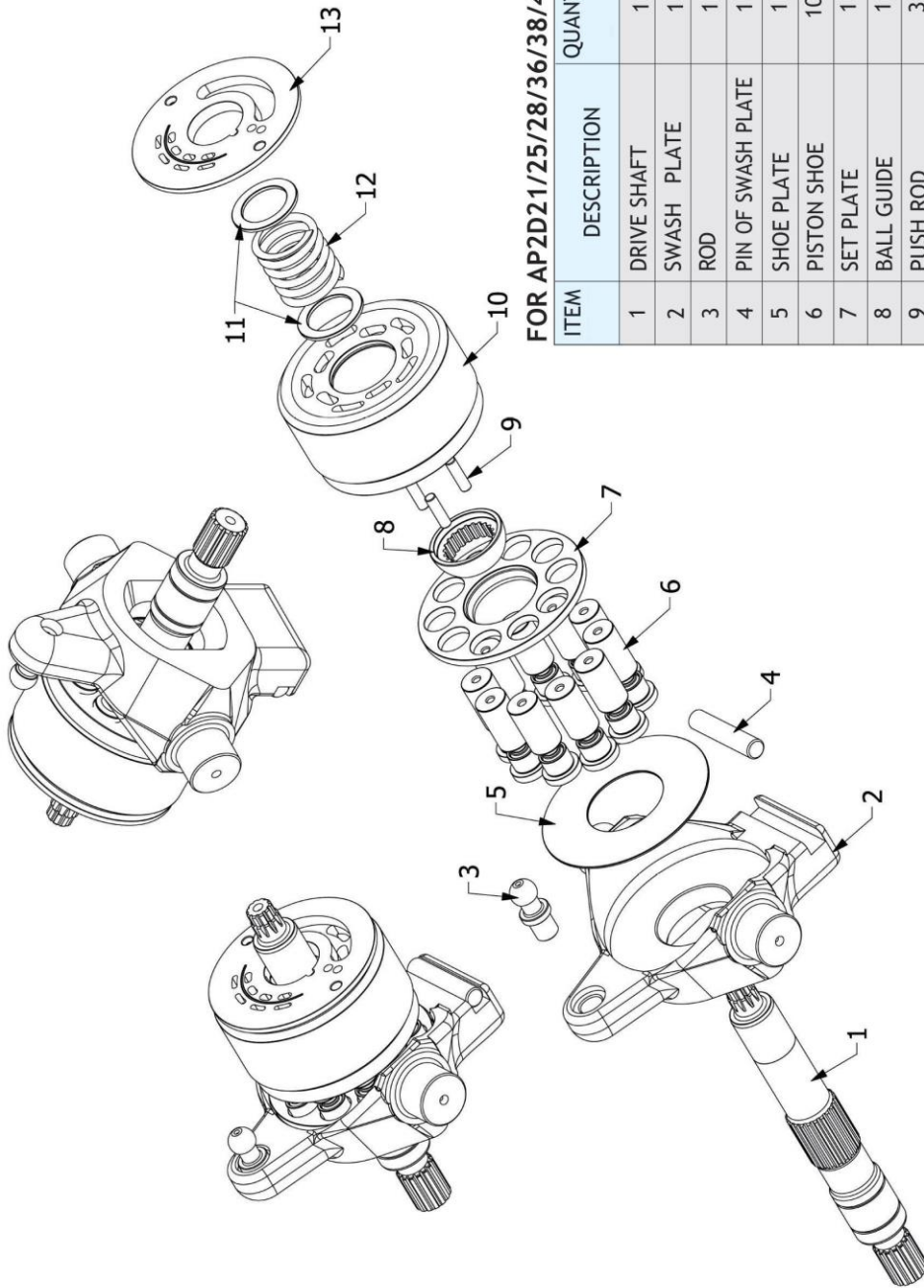


FOR A10V017/21/23/28/40/43/45/71/100/140

ITEM	DESCRIPTION	QUANTITY	REMARK
1	VALVE PLATE(L/R)	1	
2	SPACER	2	
3	COIL SPRING	1	
4	PUSH ROD	3	
5	CYLINDER BLOCK	1	
6	BALL GUIDE	1	
7	SET PLATE	1	
8	PISTON SHOE	9	
9	SHOE PLATE	1	
10	DRIVE SHAFT	1	
11	AXLE SHAFT	2	
12	BEARING	2	
13	HANGER	1	
14	COMPEN PISTON	1	

AP2D SERIES





FOR AP2D21/25/28/36/38/42

ITEM	DESCRIPTION	QUANTITY	REMARK
1	DRIVE SHAFT	1	
2	SWASH PLATE	1	
3	ROD	1	
4	PIN OF SWASH PLATE	1	
5	SHOE PLATE	1	
6	PISTON SHOE	10	
7	SET PLATE	1	
8	BALL GUIDE	1	
9	PUSH ROD	3	
10	CYLINDER BLOCK	1	
11	SPACER	2	
12	COIL SPRING	1	
13	VALVE PLATE	1	